



INTERRA&DASH

pricebook 2016

Table of Contents

INTERRA PRICEBOOK

Table of Contents	7
Terms and Conditions	8
Standard Fabrics	10
Standard Finishes	12
Grommet Locations	13
Pull Options	17
Tile Application	18

DASH PRICEBOOK

Table of Contents	113
Terms and Conditions	114
Standard Fabrics	116
Standard Finishes	117
Helpful Tips	119
Powering Dash	120
How to Order Dash	121

INTERRA

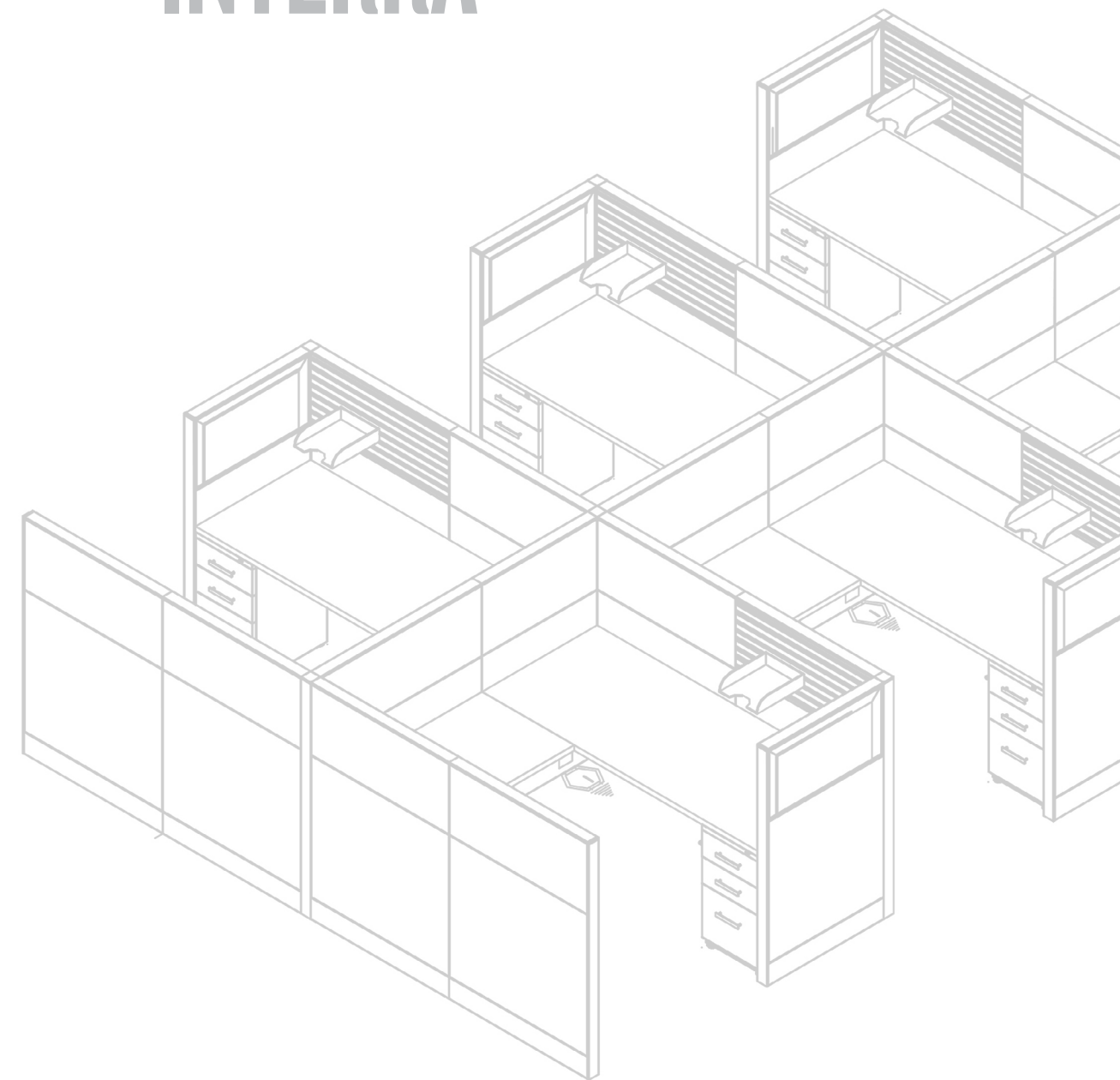


TABLE OF CONTENTS

INTRODUCTION

Terms and Conditions	8
Standard Fabrics & Tile Application	10
Non-Std Fabrics & Tile Application	11
Standard Finishes	12
Grommet Locations	13
Fixed and Mobile Pedestals	14
Lateral Files & Freestanding Towers	15
Freestanding Credenza Units	16
Credenza, Pedestal, Lateral File and Freestanding Tower Handles	17
Tile Application	18

FRAMES

Non-Powered Frames A	19
Non-Powered Frames B	21
Powered Frames	22
Stacking Frames	26
Door Frames	27

CONNECTORS

Connectors	28
Frame-To-Frame Package	28
2-Way 90° Connector	28
2-Way 120° connector	29
Wall strip	32
Tile adapter	32
Wall Start	33

FINISHED ENDS

A/B Base Trim	34
Finished Ends	35

TILES

Fabric Covered Tile	37
Tackable/Acoustical Tile	38
Beltline Fabric Tile	39
Window Tile	40
Open Tile	42
Perforated Metal Tile	43
Rail Tile	44
Markerboard Tile	45

ELECTRICAL DISTRIBUTION

Electrical Distribution	46
-------------------------	----

WORKSURFACES

Rectangular	49
90° Notched and Curved Corner	50
Half Circle	51
D-Shaped Peninsula	52
90° Extended Notched Corner	53
90° Extended Curved Corner	56
90° Extended Notched Corner Peninsula	59
Extended Curved Corner Peninsula	63
Ext. Curved Corner P-Shape Peninsula	67
Ellipse End Peninsula	69
Regular Asymmetrical	70
Wedge	71
120° Rectangular	72
120° Corner, 90° Ends	73
120° Corner, 120° Ends	74
Rectangular Transaction	75
Corner Transaction	76

MY-HITE WORKSURFACES

Rectangular	78
Corner	79
90° Extended Curved Corner	80
D-Shaped	83
Wedge	84
120° Corner, 90° Ends	85
120° Corner, 120° Ends	85

COMPONENTS

Grommet	86
Flat Bracket	87
Supports	88
Worksurface Bracket	88
Overheads and Shelves	92
Privacy Screen, Fabric	95
Frameless Glass	96
Components	97

STORAGE

Pedestals	98
Lateral Files	100
Freestanding Credenza Units	102
Freestanding Towers	106
Accessories	107
Keyed-Alike Information	109

Terms and Conditions

PRICES

All Prices are F.O.B. destination (Continental U.S.). We reserve the right to change prices without prior notice.

ORDERING

Purchase Orders should be sent to Friant & Associates, LLC at orders@friant.com, or faxed to (510) 535-6895. If your specifications were created with CAP, GIZA or Project Matrix, please send the worksheet (SP4) with your Purchase Order.

TERMS

Net 30 days from date of invoice. Invoices are delinquent if not paid 30 days from date of invoice. In the event timely payment is not made, interest will be charged at the rate of 1.5% per month on delinquent accounts. Buyers will also be liable for normal collection costs and attorney's fee. 50% deposit is required with every order, unless prior arrangements have been made.

ORDERS

Orders are only accepted by issuance of our formal acknowledgment, and are subject to the terms set forth herein and on our order acknowledgment. It is the responsibility of the buyer to review our acknowledgment for its accuracy, and to notify Friant within 48 hours from the date of the acknowledgment of any discrepancies.

LEAD TIME

Lead times are subject to availability.

SHIPPING

Friant generally palletizes, boxes and/or shrink-wraps its products. If buyer requests additional packaging or special shipping, then it is responsible for any extra costs that result. Buyer obtains title to products and assumes the risk of loss for them upon shipment from Friant's plant.

CLAIMS

We are not responsible for damage suffered in transit. Merchandise should be inspected for possible freight damage upon delivery. The consignee should file for damage or shortages with the carrier within 5 days of delivery. You are also protected for "concealed damage" if you file claim with the carrier within 5 days of delivery. Buyer must make all claims against Friant for defects, errors or shortages in writing within 10 days after delivery. Failure to make such a claim shall constitute full acceptance.

RETURNS

No merchandise may be returned without our written consent and shipping instructions. Unauthorized returns will not be accepted and will be returned freight collect.

PARTIAL SHIPMENTS

We will make every attempt to ship orders complete and on schedule. However, we reserve the right to make partial shipments, as merchandise is ready. Invoices covering these shipments are to be paid as they become due.

ORDER CHANGE — CANCELLATIONS

Our order confirmation is final and binding. Any order change or cancellation is subject to our ability to conform. Such requests are to be made in writing to our office.

SHIPMENT AND PREPAID FREIGHT

Unless otherwise instructed, we reserve the option to ship by what is, in our opinion, the best possible way. Upon request, we will prepay and add freight for accounts with established credit.

DELIVERY

We are not liable for delay or failure of delivery due to strikes and/or differences with workmen, war, riot, fire, compliance with government regulations, acts of nature, failure or delays of sources of supply, or any other causes beyond our control.

STORAGE

If buyer cannot accept delivery when merchandise is ready, we reserve the right to transfer goods to storage. Costs of transfer and storage will be charged to the buyer's account, and we will deem such transfer as constituting shipment for all purposes, including invoicing, as of the date the transfer is made.

CONSTRUCTION — SPECIFICATIONS

All items are produced to price list specifications unless otherwise advised. All dimensions shown are approximate. Manufacturer reserves the right to make modifications and/or improvements without prior notice.

FABRIC APPLICATION

Standard fabric application for tiles is horizontal application. Friant & Associates is not responsible for charges associated with replacement of products due to incorrect specifications. Please note: Some patterns require horizontal or vertical application specifically tailored to those products. See individual pricebook specifications for details.

RIGHTS AND WARRANTIES — LIMITED LIFETIME WARRANTY

This warranty is given to the initial purchaser and is valid from the date of purchase, for as long as the initial purchaser owns the product. This warranty covers defects in material and craftsmanship found during normal usage of the product during the warranty period. If the product is defective, and if written notice of the defect is given to Friant & Associates within the applicable warranty period, Friant & Associates, at its option, will either repair or replace the defective product with a comparable component or product. This warranty applies to all products except as noted below.

High wear parts, such as wood veneer, fabrics, laminates, and other covering material/finishes, foam, glides, etc. are warranted for one (1) year. This warranty does not apply to damage caused by a carrier, alteration to the product not expressly authorized by Friant & Associates, nor to product considered to be of a consumable nature such as bulbs, light ballasts, etc. It also does not apply to "Customer's Own Material" (i.e. material specified by the customer that is not a standard Friant & Associates offering) used in the manufacture of Friant & Associates products.

Friant & Associates does not warrant the matching of colors, grain or texture, except to within commercially acceptable standards. This includes normal variations between dye lots (fabrics).

A product will not be considered defective, and Friant & Associates will not be obligated to replace it, if it is not installed in a proper manner (i.e. product not leveled, not secured properly, etc.).

Except as noted above, Friant & Associates makes no express or implied warranties to any product, and in particular makes no warranty of fitness for any particular use. At Friant & Associates' option, product repair and replacement is the customer's exclusive remedy for any and all product defects.

Friant & Associates shall not be liable for consequential, economic, or incidental damages arising from any product defect.

CALIFORNIA PROP 65 WARNING

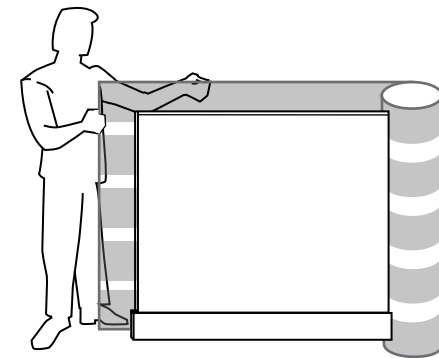
Products in this catalog may contain a chemical known to the state of California to cause cancer, or birth defects or other reproductive harm.

Standard Fabrics & Tile Application

Standard Panel Fabrics

NON-DIRECTIONAL FABRIC APPLICATION

SLIDE		SILKY		STICKS	
PF101-1	Caramel	PF401-1	Natural	PF501-1	Smoke
PF101-2	Slate	PF401-2	Parids	PF501-2	Almond
PF101-3	Pewter	PF401-3	Overcast	PF501-3	Sage
PF101-4	Verde	PF401-4	Field	PF501-4	Straw
PF101-5	Twilight	PF401-5	Graphite		
PF101-6	Vintage				
PF101-7	Java				
PF101-8	Latte				
PF101-9	Sterling				
PF101-10	Crema			PF301-1	Terra
PF101-11	Breeze			PF301-2	Birch
PF101-12	Stem			PF301-3	Moss

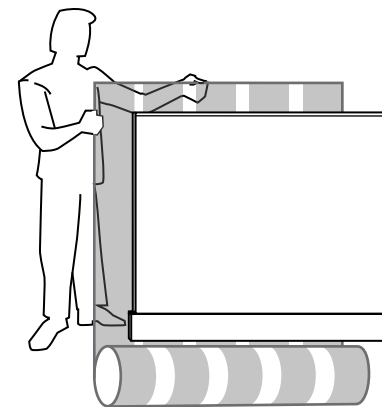


SKY

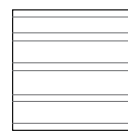
PF301-1	Terra
PF301-2	Birch
PF301-3	Moss

DIRECTIONAL FABRIC APPLICATION

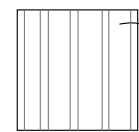
PASSAGE		TERRAIN	
PF601-1	Gull	PF701-1	Cloud
PF601-2	Grove	PF701-2	Dusk
PF601-3	Wing	PF701-3	Wave
PF601-4	Quartz	PF701-4	Earth
PF601-5	Leaf		
PF601-6	Brook		
PF601-7	Trail		
PF601-8	Amber		



***NOTE:** Passage and Terrain are applied with the lines running horizontally on Interra, Dash and Tiles. On System 2 the lines run vertically.



Interra, Dash and Tiles application



System 2 application

with a 90° rotation

Non-Standard Fabrics & Tile Application

CUSTOMER'S OWN MATERIAL

Yardage requirement is based on 66" wide plain covering material, and must be increased if less than 66" wide. Special instructions for handling material (pattern, directional fabric, right side of reversible fabric, etc.) must be submitted in writing before fabric is delivered. In the absence of special instructions, we reserve the right to use our own judgment. We reserve the right to reject any covering, which in our opinion, is unsuitable for our upholstery purposes. However, in no instance shall we be held responsible for unsatisfactory results due to use of covering unsuitable for our upholstery methods.

We will not be responsible for errors caused by buyers not supplying us with sample cuttings attached to their order giving full identification of covering material, (name of supplier, covering name, number and color) for identification purposes and advising us of model number and quantity to which each cover is to be applied.

Customer's own material that is shipped freight collect will be refused. A service charge will be applied for the return of unusable C.O.M. Contact factory.

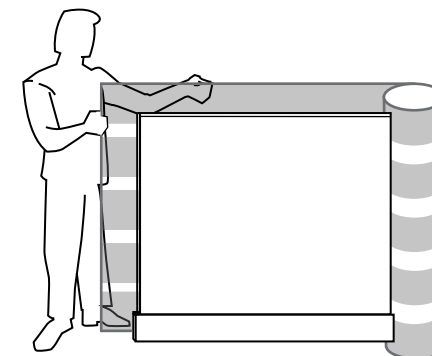
NOTES: Order fabric cards online at www.friant.com/samples.

Colors may vary slightly between dye lots.

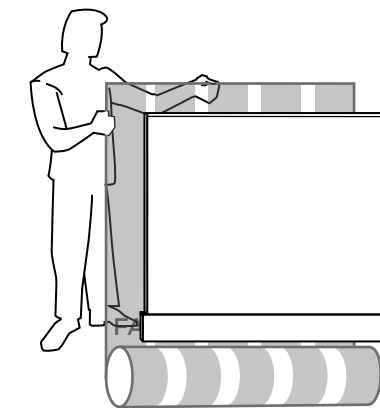
Additional fabrics are available for an upcharge. Contact our Customer Service for pricing.

FABRIC DIRECTION

All textiles listed are 66" wide, with the following icons used to denote the direction of which the fabric is applied. Any variations in the direction of fabric application will be noted by use of the icon and on which pieces the variation be used.



NON-DIRECTIONAL FABRIC APPLICATION



DIRECTIONAL FABRIC APPLICATION

Standard Finishes

Standard Finishes

For other worksurface finish colors, please consult your Friant sales consultant.

WORKSURFACE FINISHES with standard grommet color

Note: Grommets are CW or BU, see chart below. Order grommet cover separately for other color.

M1	Light Maple	CW grommets
M2	Light Cherry	BU grommets
M3	Medium Cherry	BU grommets
M4	Dark Mahogany	BU grommets
M5	Light Mahogany	BU grommets
M6	Light Gray	CW grommets
M7	Off White	CW grommets
M8	Gray Specks	CW grommets
M9	Cloud White	CW grommets
M10	Espresso	BU grommets
M11	Light Walnut	CW grommets
M12	Medium Walnut	BU grommets
M13	Licorice	BU grommets
M14	Carob	BU grommets
M15	Mousse	BU grommets
M16	Tundra	CW grommets
M17	Cocoa	BU grommets
M18	Capitan	BU grommets
M19	Fog	CW grommets
M20	Sandstone	BU grommets
M21	Medium Oak	BU grommets
M22	Harbor	BU grommets
M23	Bark	BU grommets
M24	Tarmac	BU grommets
M25	Winter	CW grommets
M26	Storm	BU grommets
M27	Medium Ash	BU grommets
M28	Arctic	CW grommets
M29	Raven	BU grommets

EDGE FINISHES (3MM PVC)

E1	Light Maple
E2	Light Cherry
E3	Medium Cherry
E4	Dark Mahogany
E5	Light Mahogany
E6	Light Gray
E7	Off White
E8	Black Umber
E9	Cloud White
E10	Espresso
E11	Medium Tone
E12	Dark Tone
E13	Licorice
E14	Light Walnut
E15	Medium Walnut
E17	Carob
E18	Mousse
E19	Tundra
E20	Cocoa
E21	Capitan
E22	Fog
E23	Sandstone
E24	Medium Oak
E25	Harbor
E26	Bark
E27	Tarmac
E28	Winter
E29	Storm
E30	Medium Ash
E31	Arctic
E32	Raven

PAINT TRIM

BU Black Umber
CW Cloud White
SV Silver

END PANEL

BU Black Umber
CW Cloud White

Grommet Locations

1 Select a My-Hite worksurface

My-Hite tops (located on pages 14-22) have optional grommets. Please use the two letter codes shown here when specifying location of grommets.

Grommets are 3" round with cover standard.

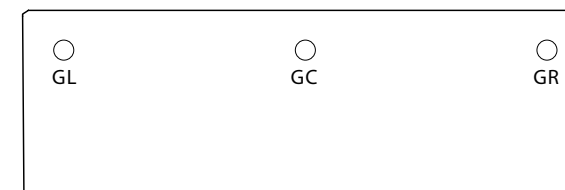
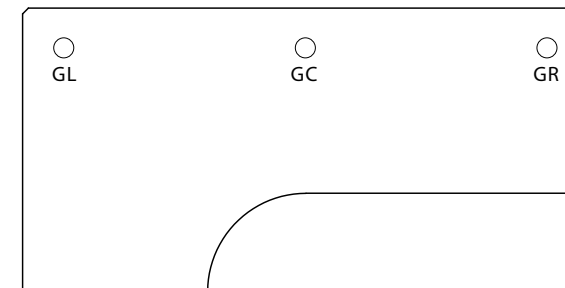
Choose
Specify Part #
Specify Finish

FDECCWS.23345823R

Bark

2 Select a grommet location

Specify positioning by using the two letter location.

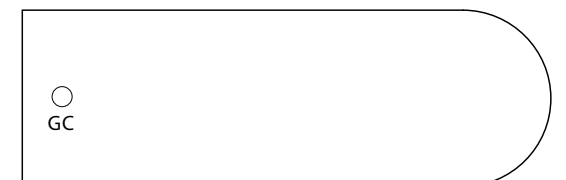


CODE	POSITION
GL	4" from left side - 4" from rear
GR	4" from right side - 4" from rear
GC	Centered from side to side - 4" from rear

Dimensions are measured from grommet center to top edge:

For other grommet locations, please call Friant customer service.

Please Note: Only the GC location is available on the D-Shaped worksurface.



Fixed and Mobile Pedestals

FRIANT pedestals are made of steel and come with a variety of options for both supporting and mobile versions. Choose the type of storage you need (box drawer and filing), your choice of color (cloud white or burnt umber), and the type of handle that you prefer (page 17). See all Pedestals starting on page 98.

SUPPORTING PEDESTALS

Top of pedestal is open to attach beneath the worksurface.

BACK AND SIDES

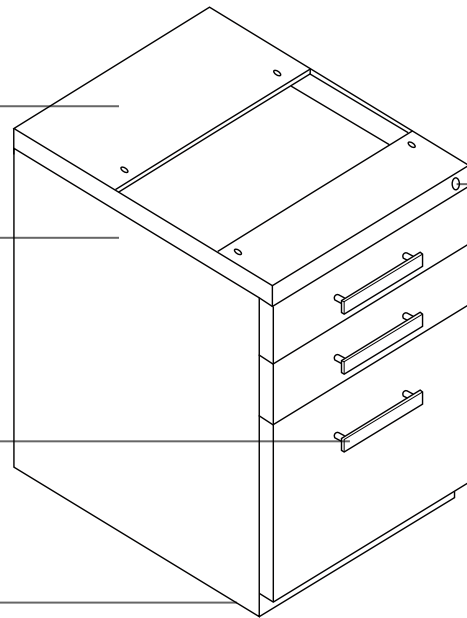
Finished back and sides are standard.

HANDLES

FRIANT has 4 different handle options to choose from. (Page 17)

LEVELLING GLIDES

Levelling glides allow you install and level furniture securely on uneven flooring.

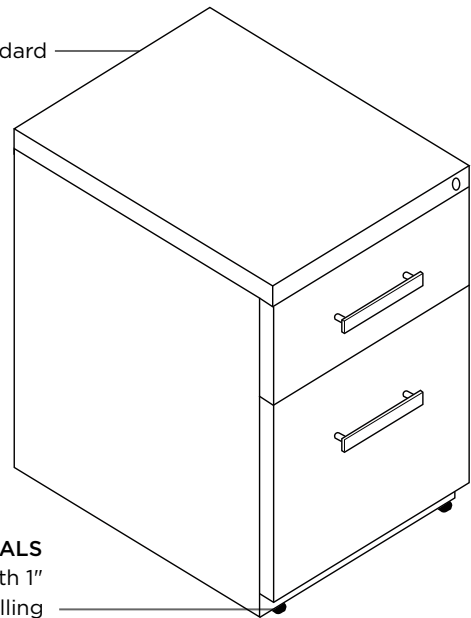


LOCKING

Keyed alike locks are available with sets of 4 or 6 keys.

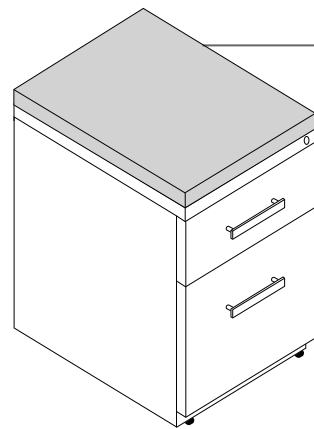
TOP

Finished top cap is standard on mobile pedestals.



MOBILE PEDESTALS

Ship standard with 1" casters for full rolling range of motion.



OPTIONAL CUSHION

Mobile pedestal can be topped with a fabric covered cushion for optimal multi-usage. (Page 99)

SIDE TO SIDE FILE BAR

Order bar to filing letter or legal size folder. (Page 17)

Lateral Files and Freestanding Towers

FRIANT lateral files and freestanding towers are made of steel and come with a variety of options for different storage needs. Choose your choice of color (cloud white or burnt umber), and the type of handle that you prefer. See all Lateral Files starting on page 100. See all Freestanding Towers starting on page 106.

TOP

Finished top cap is standard.

BACK AND SIDES

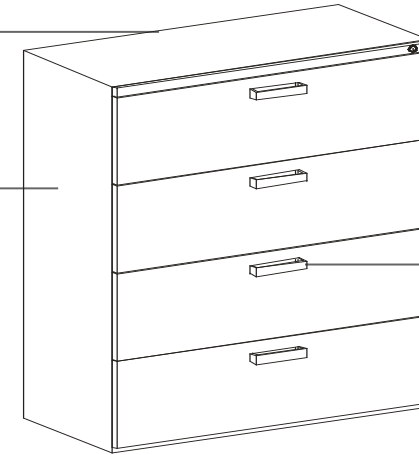
Finished back and sides are standard.

FRONT TO BACK FILE BAR

Order bar to filing letter or legal size folder. (Page 17)

COUNTERWEIGHT

Over two drawer high, lateral files are either bolted back-to-back or wall mounted for stability. Order counterweight to convert over two drawer high lateral files to freestanding. (Page 101)



LOCKING

Keyed alike locks are available in 4 and 6 key variations.

HANDLES

FRIANT has 4 different handle options to choose from. (Page 17)

TOP

Finished top cap is standard.

BACK AND SIDES

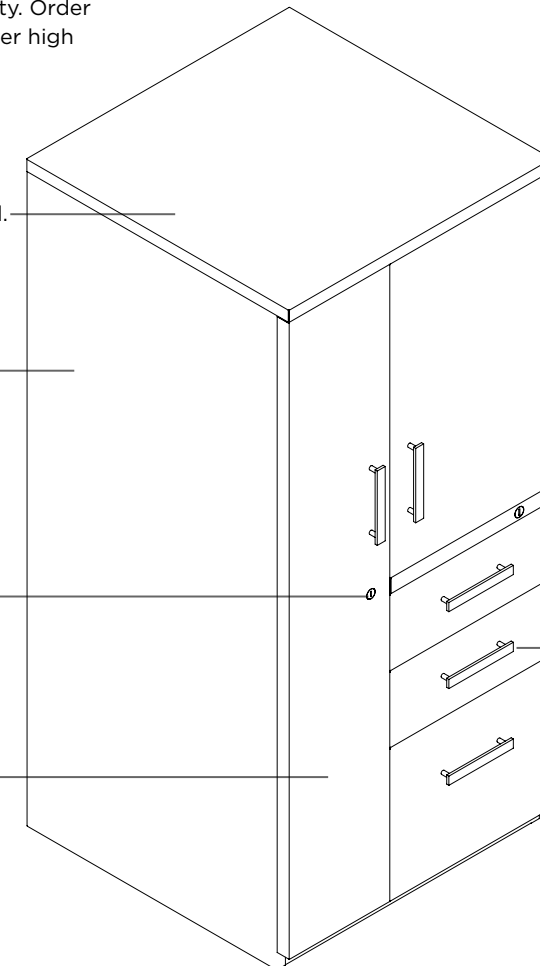
Finished back and sides are standard.

LOCKING

Keyed alike locks are available in 4 and 6 key variations.

WARDROBE

Wardrobe can be ordered on either right or left side



HANDLES

FRIANT has 4 different handle options to choose from. (Page 17)

Freestanding Credenza Units

FRIANT credenzas come in a wide variety of configurations and sizes. Choose the type of storage you need, your choice of laminate finish in three areas: top, front and casing, the type of feet, and the type of handle that you prefer (page 17). See all freestanding credenza units starting on page 102.

TOP, SIDES AND CASING

All three parts of the credenza can be ordered with different M1-M29 laminates. See page 12 for laminate options.

DRAWERS

Drawers can be ordered on either left or right side

LOCKING

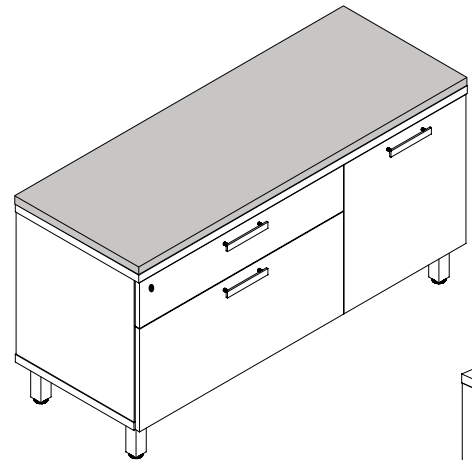
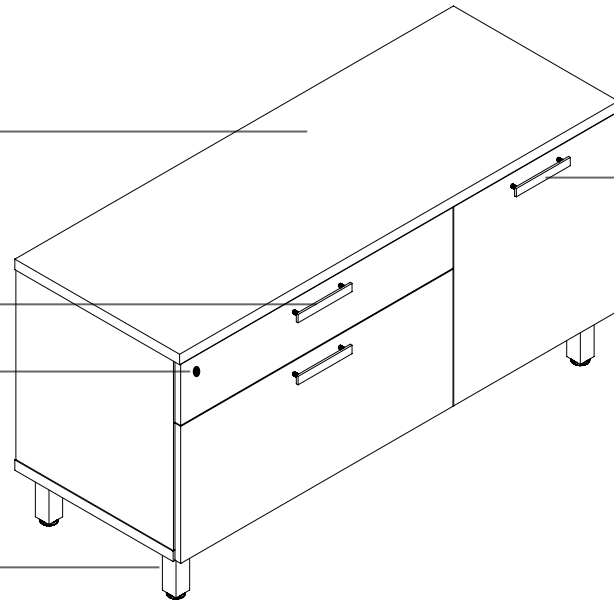
Keyed alike locks are available in 4 and 6 key variations.

CREDENZA FEET

There are multiple feet options for the credenza, some in multiple finishes. Page 102

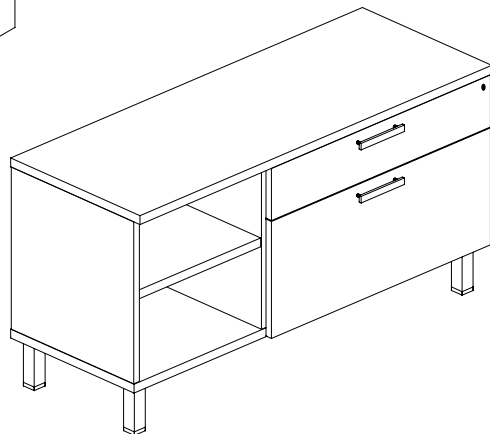
HANDLES

FRIANT has 4 different handle options to choose from. (Page 17)



OPTIONAL CUSHION

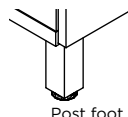
Freestanding credenzas can be topped with a foam cushion for optimal multi-usage. (Page 103)



OPEN SHELVING

Credenza unit may be ordered with open shelving. (Page 105)

CREDENZA FEET OPTIONS



Post foot



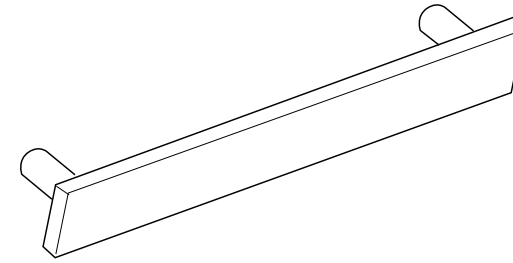
Taper foot (CW, BU, SV)



Inset foot (CW, BU, SV)

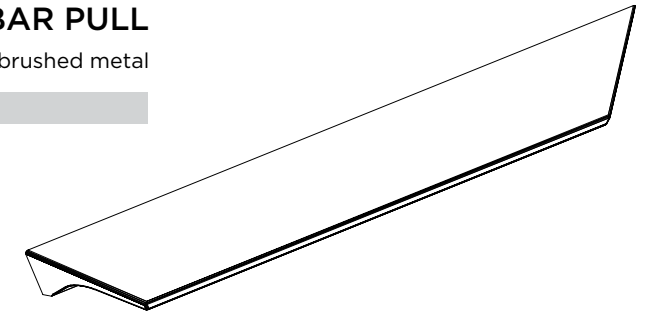
Credenza, Pedestal, Lateral File and Freestanding Tower Handles

You have multiple handle options for handles for your FRIANT storage. Please specify which handle you would like when ordering. For any questions, please call Friant Customer Service or your sales rep.



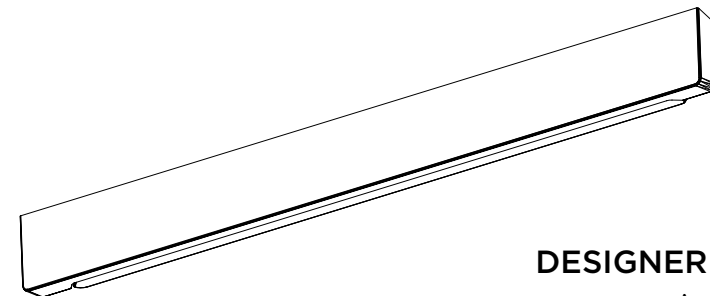
BAR PULL

Available in brushed metal



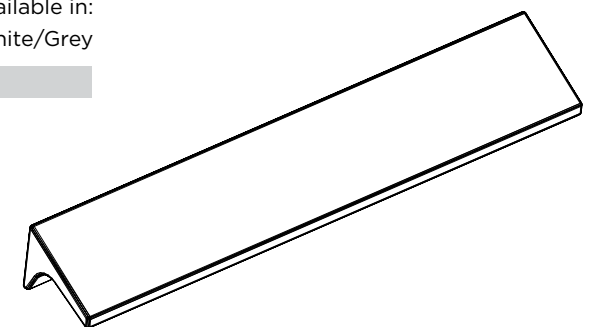
WEDGE PULL

Available in brushed metal



DESIGNER PULL

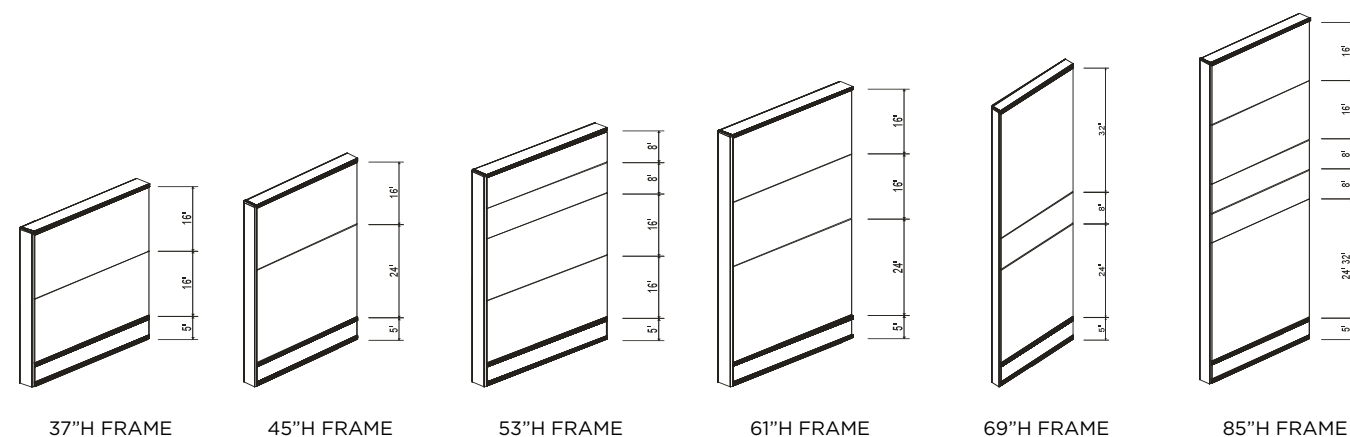
Available in:
Cloud White/Red, Cloud White/Green, Cloud White/Grey



SLANT PULL

Available in brushed metal

Tile Application



ABOUT THE FRAMES

Each frame can be filled with a combination of tiles of different sizes, materials, and finishes on either side of the frame. "A" frames have a 5" high base with base covers, while "B" frames have 5" legs.

APPLICATION

The application on one side of a frame does not need to match the other side of the frame, with the exception of Open Tiles and Window Tiles.

FRAME SIZES, AND SPACE AVAILABLE FOR TILE APPLICATION

FRAME HEIGHT	SPACE AVAILABLE
29"	24"
37"	32"
45"	40"
53"	48"
61"	56"
69"	64"
85"	80"

1 Select a storage option

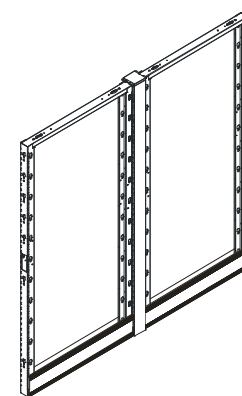
Pedestals, lateral files, credenza units and freestanding towers all have options on pulls.

Choose	Specify Part #	Specify Finish
	FPEDSQP.FF-MET	(CW) Cloud White

2 Select a pull option

Please note that different storage solutions have different pull options.

Non-Powered Frames A



DESCRIPTION

Each frame holds individual tiles on either side and comes with top cap, base covers, and adjustable glides.

NOTES

- When connecting two frames of different heights, order the Finished End Change of Height separately.
- To add power above the worksurface, order Beltline Power Retro separately.

SPECIFICATION OPTIONS

product #: see charts below
base and top cap finish: CW Cloud White, BU Black Umber

ORDER EXAMPLE

product #: FIFA-3724-N
base and top cap finish: CW

29" HIGH

PART #	HEIGHT	WIDTH	DEPTH	WT. (LBS)	PRICE
FIFA-2924-N	29-3/4"	24"	2-9/16"	10	\$145
FIFA-2930-N	29-3/4"	30"	2-9/16"	11	\$161
FIFA-2936-N	29-3/4"	36"	2-9/16"	12	\$176
FIFA-2942-N	29-3/4"	42"	2-9/16"	13	\$192
FIFA-2948-N	29-3/4"	48"	2-9/16"	14	\$207

37" HIGH

PART #	HEIGHT	WIDTH	DEPTH	WT. (LBS)	PRICE
FIFA-3724-N	37-3/4"	24"	2-9/16"	12	\$179
FIFA-3730-N	37-3/4"	30"	2-9/16"	13	\$196
FIFA-3736-N	37-3/4"	36"	2-9/16"	14	\$214
FIFA-3742-N	37-3/4"	42"	2-9/16"	15	\$230
FIFA-3748-N	37-3/4"	48"	2-9/16"	16	\$248

45" HIGH

PART #	HEIGHT	WIDTH	DEPTH	WT. (LBS)	PRICE
FIFA-4524-N	45-3/4"	24"	2-9/16"	14	\$196
FIFA-4530-N	45-3/4"	30"	2-9/16"	15	\$213
FIFA-4536-N	45-3/4"	36"	2-9/16"	16	\$231
FIFA-4542-N	45-3/4"	42"	2-9/16"	17	\$248
FIFA-4548-N	45-3/4"	48"	2-9/16"	18	\$265

53" HIGH

PART #	HEIGHT	WIDTH	DEPTH	WT. (LBS)	PRICE
FIFA-5324-N	53-3/4"	24"	2-9/16"	15	\$214
FIFA-5330-N	53-3/4"	30"	2-9/16"	16	\$232
FIFA-5336-N	53-3/4"	36"	2-9/16"	17	\$249
FIFA-5342-N	53-3/4"	42"	2-9/16"	18	\$266
FIFA-5348-N	53-3/4"	48"	2-9/16"	19	\$283

61" HIGH

PART #	HEIGHT	WIDTH	DEPTH	WT. (LBS)	PRICE
FIFA-6124-N	61-3/4"	24"	2-9/16"	17	\$231
FIFA-6130-N	61-3/4"	30"	2-9/16"	18	\$249
FIFA-6136-N	61-3/4"	36"	2-9/16"	19	\$266
FIFA-6142-N	61-3/4"	42"	2-9/16"	20	\$283
FIFA-6148-N	61-3/4"	48"	2-9/16"	21	\$300

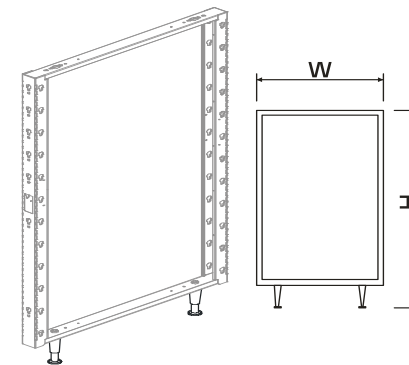
69" HIGH

PART #	HEIGHT	WIDTH	DEPTH	WT. (LBS)	PRICE
FIFA-6924-N	69-3/4"	24"	2-9/16"	18	\$249
FIFA-6930-N	69-3/4"	30"	2-9/16"	19	\$267
FIFA-6936-N	69-3/4"	36"	2-9/16"	20	\$284
FIFA-6942-N	69-3/4"	42"	2-9/16"	21	\$301
FIFA-6948-N	69-3/4"	48"	2-9/16"	22	\$319

85" HIGH

PART #	HEIGHT	WIDTH	DEPTH	WT. (LBS)	PRICE
FIFA-8524-N	85-3/4"	24"	2-9/16"	21	\$285
FIFA-8530-N	85-3/4"	30"	2-9/16"	22	\$302
FIFA-8536-N	85-3/4"	36"	2-9/16"	23	\$319
FIFA-8542-N	85-3/4"	42"	2-9/16"	24	\$336
FIFA-8548-N	85-3/4"	48"	2-9/16"	25	\$318

Non-Powered Frames B



DESCRIPTION

Each frame holds individual tiles on either side and comes with top cap, and legs with adjustable glides.

NOTES

- When connecting two frames of different heights, order the Finished End Change of Height separately.
- To add power above the worksurface, order Beltline Power Retro separately.

SPECIFICATION OPTIONS

product #: see charts below
top cap finish: CW Cloud White, BU Black Umber

ORDER EXAMPLE

product #: FIFB-3724-N
top cap finish: BU

29" HIGH

PART #	HEIGHT	WIDTH	DEPTH	WT. (LBS)	PRICE
FIFB-2924-N	29-3/4"	24"	2-9/16"	10	\$170
FIFB-2930-N	29-3/4"	30"	2-9/16"	11	\$181
FIFB-2936-N	29-3/4"	36"	2-9/16"	12	\$193
FIFB-2942-N	29-3/4"	42"	2-9/16"	12	\$205
FIFB-2948-N	29-3/4"	48"	2-9/16"	14	\$217

37" HIGH

PART #	HEIGHT	WIDTH	DEPTH	WT. (LBS)	PRICE
FIFB-3724-N	37-3/4"	24"	2-9/16"	11	\$206
FIFB-3730-N	37-3/4"	30"	2-9/16"	12	\$219
FIFB-3736-N	37-3/4"	36"	2-9/16"	13	\$232
FIFB-3742-N	37-3/4"	42"	2-9/16"	14	\$245
FIFB-3748-N	37-3/4"	48"	2-9/16"	15	\$259

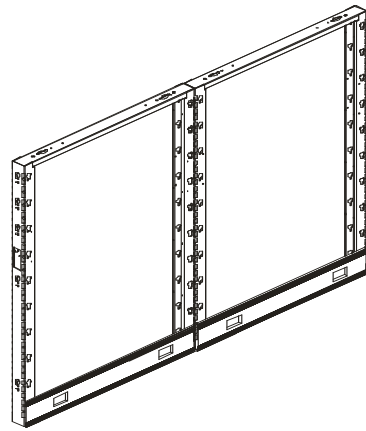
45" HIGH

PART #	HEIGHT	WIDTH	DEPTH	WT. (LBS)	PRICE
FIFB-4524-N	45-3/4"	24"	2-9/16"	13	\$223
FIFB-4530-N	45-3/4"	30"	2-9/16"	14	\$236
FIFB-4536-N	45-3/4"	36"	2-9/16"	15	\$249
FIFB-4542-N	45-3/4"	42"	2-9/16"	16	\$263
FIFB-4548-N	45-3/4"	48"	2-9/16"	16	\$276

53" HIGH

PART #	HEIGHT	WIDTH	DEPTH	WT. (LBS)	PRICE
FIFB-5324-N	53-3/4"	24"	2-9/16"	14	\$242
FIFB-5330-N	53-3/4"	30"	2-9/16"	15	\$255
FIFB-5336-N	53-3/4"	36"	2-9/16"	16	\$268
FIFB-5342-N	53-3/4"	42"	2-9/16"	17	\$281
FIFB-5348-N	53-3/4"	48"	2-9/16"	18	\$294

Powered Frames | with Duplex Cutouts



DESCRIPTION

Each frame holds individual tiles on either side and comes with top cap, base covers, and adjustable glides.

Power Retro is used to access power at the base level. It distributes up to four 20-amp circuits, and provides duplex locations on both sides of the frame. Power Retro and Frame-to-Frame Festoon are included.

NOTES

- When connecting two frames of different heights, order the Finished End Change of Height separately.
- Power Retro and Frame-to-Frame Festoon are included.
- To add power above the worksurface, order Beltline Power Retro separately.
- 24"W Power Frames have base cover with one duplex location per side.
- 30", 36", 42", and 48"W Power Frames have base cover with two duplex locations per side.
- Cutouts are 2-31/32" by 1-7/8"
- Data port plates can snap into unoccupied duplex location.
- Data jacks should be the top feed, 90° type and not the back feed 180° type.

SPECIFICATION OPTIONS

product #: see charts below
base and top cap finish: CW Cloud White, BU Black Umber

ORDER EXAMPLE

product #: FIF-3724-E
base and top cap finish: CW

29" HIGH

PART #	HEIGHT	WIDTH	DEPTH	WT. (LBS)	PRICE
FIF-2924-E	29-3/4"	24"	2-9/16"	11	\$280
FIF-2930-E	29-3/4"	30"	2-9/16"	13	\$304
FIF-2936-E	29-3/4"	36"	2-9/16"	14	\$337
FIF-2942-E	29-3/4"	42"	2-9/16"	16	\$381
FIF-2948-E	29-3/4"	48"	2-9/16"	17	\$418

37" HIGH

PART #	HEIGHT	WIDTH	DEPTH	WT. (LBS)	PRICE
FIF-3724-E	37-3/4"	24"	2-9/16"	13	\$329
FIF-3730-E	37-3/4"	30"	2-9/16"	14	\$355
FIF-3736-E	37-3/4"	36"	2-9/16"	16	\$392
FIF-3742-E	37-3/4"	42"	2-9/16"	17	\$441
FIF-3748-E	37-3/4"	48"	2-9/16"	18	\$482

45" HIGH

PART #	HEIGHT	WIDTH	DEPTH	WT. (LBS)	PRICE
FIF-4524-E	45-3/4"	24"	2-9/16"	14	\$346
FIF-4530-E	45-3/4"	30"	2-9/16"	16	\$372
FIF-4536-E	45-3/4"	36"	2-9/16"	17	\$409
FIF-4542-E	45-3/4"	42"	2-9/16"	19	\$458
FIF-4548-E	45-3/4"	48"	2-9/16"	20	\$499

Powered Frames | with Duplex Cutouts (cont'd)

53" HIGH

PART #	HEIGHT	WIDTH	DEPTH	WT. (LBS)	PRICE
FIF-5324-E	53-3/4"	24"	2-9/16"	16	\$365
FIF-5330-E	53-3/4"	30"	2-9/16"	17	\$391
FIF-5336-E	53-3/4"	36"	2-9/16"	19	\$428
FIF-5342-E	53-3/4"	42"	2-9/16"	20	\$477
FIF-5348-E	53-3/4"	48"	2-9/16"	22	\$517

61" HIGH

PART #	HEIGHT	WIDTH	DEPTH	WT. (LBS)	PRICE
FIF-6124-E	61-3/4"	24"	2-9/16"	17	\$382
FIF-6130-E	61-3/4"	30"	2-9/16"	19	\$408
FIF-6136-E	61-3/4"	36"	2-9/16"	20	\$445
FIF-6142-E	61-3/4"	42"	2-9/16"	22	\$494
FIF-6148-E	61-3/4"	48"	2-9/16"	23	\$534

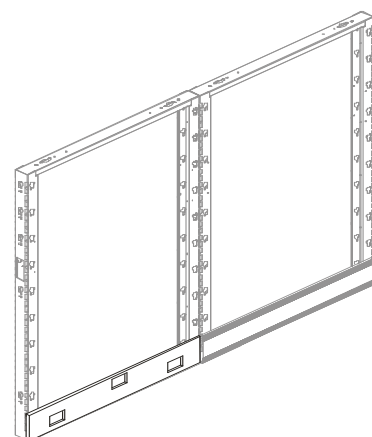
69" HIGH

PART #	HEIGHT	WIDTH	DEPTH	WT. (LBS)	PRICE
FIF-6924-E	69-3/4"	24"	2-9/16"	19	\$400
FIF-6930-E	69-3/4"	30"	2-9/16"	20	\$426
FIF-6936-E	69-3/4"	36"	2-9/16"	22	\$463
FIF-6942-E	69-3/4"	42"	2-9/16"	23	\$512
FIF-6948-E	69-3/4"	48"	2-9/16"	25	\$552

85" HIGH

PART #	HEIGHT	WIDTH	DEPTH	WT. (LBS)	PRICE
FIF-8524-E	85-3/4"	24"	2-9/16"	22	\$435
FIF-8530-E	85-3/4"	30"	2-9/16"	24	\$461
FIF-8536-E	85"-3/4	36"	2-9/16"	25	\$498
FIF-8542-E	85-3/4"	42"	2-9/16"	26	\$547
FIF-8548-E	85-3/4"	48"	2-9/16"	28	\$588

Powered Frames | with Duplex and Data Cutout



DESCRIPTION

Each frame holds individual tiles on either side and comes with top cap, base covers, and adjustable glides.

Power Retro is used to access power at the base level. It distributes up to four 20-amp circuits, and provides duplex locations on both sides of the frame. Power Retro is included.

NOTES

- When connecting two frames of different heights, order the Finished End Change of Height separately.
- Power Retro is included.
- To add power above the worksurface, order Beltline Power Retro separately.
- 24"W Power Frames have base covers with one duplex location per side, and one data plate cutout on the right side.
- 30", 36", 42", and 48"W Power Frames have base covers with two duplex locations per side, and one data plate cutout in center.
- Data jacks should be the top feed, 90° type and not the back feed 180° type.
- Cutouts are 2-31/32" by 1-7/8"

SPECIFICATION OPTIONS

product #: see charts below
base and top cap finish: CW Cloud White, BU Black Umber

ORDER EXAMPLE

product #: FIF-3724-ED
base and top cap finish: CW

29" HIGH

PART #	HEIGHT	WIDTH	DEPTH	WT. (LBS)	PRICE
FIF-2924-ED	29-3/4"	24"	2-9/16"	11	\$281
FIF-2930-ED	29-3/4"	30"	2-9/16"	13	\$304
FIF-2936-ED	29-3/4"	36"	2-9/16"	14	\$338
FIF-2942-ED	29-3/4"	42"	2-9/16"	16	\$382
FIF-2948-ED	29-3/4"	48"	2-9/16"	17	\$418

37" HIGH

PART #	HEIGHT	WIDTH	DEPTH	WT. (LBS)	PRICE
FIF-3724-ED	37-3/4"	24"	2-9/16"	13	\$330
FIF-3730-ED	37-3/4"	30"	2-9/16"	14	\$356
FIF-3736-ED	37-3/4"	36"	2-9/16"	16	\$393
FIF-3742-ED	37-3/4"	42"	2-9/16"	17	\$442
FIF-3748-ED	37-3/4"	48"	2-9/16"	18	\$482

45" HIGH

PART #	HEIGHT	WIDTH	DEPTH	WT. (LBS)	PRICE
FIF-4524-ED	45-3/4"	24"	2-9/16"	14	\$347
FIF-4530-ED	45-3/4"	30"	2-9/16"	16	\$373
FIF-4536-ED	45-3/4"	36"	2-9/16"	17	\$410
FIF-4542-ED	45-3/4"	42"	2-9/16"	19	\$459
FIF-4548-ED	45-3/4"	48"	2-9/16"	20	\$500

Powered Frames | with Duplex and Data Cutout (cont'd)

53" HIGH

PART #	HEIGHT	WIDTH	DEPTH	WT. (LBS)	PRICE
FIF-5324-ED	53-3/4"	24"	2-9/16"	16	\$365
FIF-5330-ED	53-3/4"	30"	2-9/16"	17	\$391
FIF-5336-ED	53-3/4"	36"	2-9/16"	19	\$429
FIF-5342-ED	53-3/4"	42"	2-9/16"	20	\$477
FIF-5348-ED	53-3/4"	48"	2-9/16"	22	\$518

61" HIGH

PART #	HEIGHT	WIDTH	DEPTH	WT. (LBS)	PRICE
FIF-6124-ED	61-3/4"	24"	2-9/16"	17	\$382
FIF-6130-ED	61-3/4"	30"	2-9/16"	19	\$408
FIF-6136-ED	61-3/4"	36"	2-9/16"	20	\$445
FIF-6142-ED	61-3/4"	42"	2-9/16"	22	\$495
FIF-6148-ED	61-3/4"	48"	2-9/16"	23	\$535

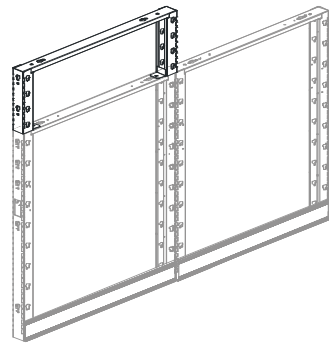
69" HIGH

PART #	HEIGHT	WIDTH	DEPTH	WT. (LBS)	PRICE
FIF-6924-ED	69-3/4"	24"	2-9/16"	19	\$400
FIF-6930-ED	69-3/4"	30"	2-9/16"	20	\$427
FIF-6936-ED	69-3/4"	36"	2-9/16"	22	\$464
FIF-6942-ED	69-3/4"	42"	2-9/16"	23	\$513
FIF-6948-ED	69-3/4"	48"	2-9/16"	25	\$553

85" HIGH

PART #	HEIGHT	WIDTH	DEPTH	WT. (LBS)	PRICE
FIF-8524-ED	85-3/4"	24"	2-9/16"	22	\$436
FIF-8530-ED	85-3/4"	30"	2-9/16"	24	\$462
FIF-8536-ED	85-3/4"	36"	2-9/16"	25	\$499
FIF-8542-ED	85-3/4"	42"	2-9/16"	26	\$548
FIF-8548-ED	85-3/4"	48"	2-9/16"	28	\$588

Stacking Frames



DESCRIPTION

This Stacking Frame attaches to the top of a Standard Frame, and holds individual tiles on both sides.

NOTES

- This frame also attaches to an adjacent frame, or connector of same height.
- No more than one stacking frame can be added to a base frame, to a maximum height of 85".
- Attachment hardware is included
- Standard components can hang from the stacking frame, if the frame is next to a post or another frame.
- Use standard connectors that equal the combined height.
- Top Cap can be removed from existing frame, and re-used on Stacking Frame Order Finished End separately.
- When using Stacking Frame next to a higher frame or connector, order Change of Height Trim Package.

SPECIFICATION OPTIONS

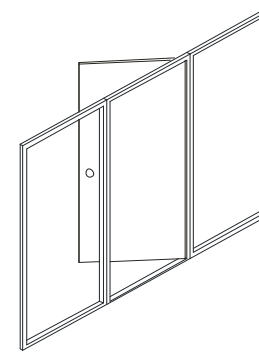
product #: see charts below

ORDER EXAMPLE

product #: FISF.1624

PART #	HEIGHT	WIDTH	DEPTH	WT. (LBS)	PRICE
FISF-1624	16-3/4"	24"	1-11/16"	5	\$56
FISF-1630	16-3/4"	30"	1-11/16"	6	\$59
FISF-1636	16-3/4"	36"	1-11/16"	6	\$61
FISF-1642	16-3/4"	42"	1-11/16"	6	\$64
FISF-1648	16-3/4"	48"	1-11/16"	7	\$67

Door Frames



DESCRIPTION

This Door Frame connects to an adjacent 85"H Frame. It comes with an 82 1/2"H door, a standard top cap, door knob, door stop, carpet grippers and hinges. Door Frame cannot be powered. Hinges and door knob have a satin aluminum finish standard.

NOTES

- Specify L for left hand swing, and R for right hand swing.

SPECIFICATION OPTIONS

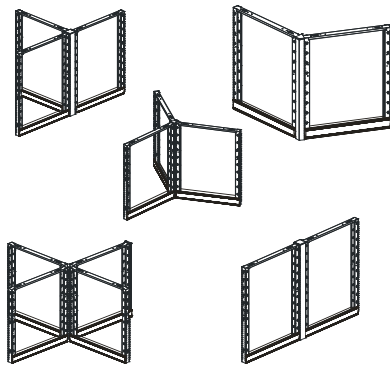
product #: see charts below
trim & door finish: CW Cloud White, BU Black Umber

ORDER EXAMPLE

product #: FIDOPA.8536L
trim & door finish: CW

PART #	HEIGHT	WIDTH	DEPTH	WT. (LBS)	PRICE
FIDOPA.8536L	85-3/4"	36"	2-9/16"	—	\$2,425
FIDOPA.8536R	85-3/4"	36"	2-9/16"	—	\$2,425
FIDOPA.8542L	85-3/4"	42"	2-9/16"	—	\$2,490
FIDOPA.8542R	85-3/4"	42"	2-9/16"	—	\$2,490

Connectors



DESCRIPTION

Connects two or more frames.

NOTES

- If frames are not of the same height, order Finished End Change of Height separately.
- Includes attachment hardware.

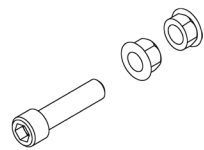
SPECIFICATION OPTIONS

product #: see charts below
connector and top cap finish: CW Cloud White, BU Black Umber

ORDER EXAMPLE

product #: FIPTP.24
connector and top cap finish: CW

FRAME-TO-FRAME PACKAGE



PART #	HEIGHT	CONNECTIONS	PRICE
FIPTP.24	24"	2	\$9
FIPTP.29	29"	2	\$9
FIPTP.32	32"	3	\$13
FIPTP.37	37"	3	\$13
FIPTP.40	40"	3	\$13
FIPTP.45	45"	3	\$13
FIPTP.48	48"	3	\$13
FIPTP.53	53"	3	\$13
FIPTP.61	61"	4	\$17
FIPTP.69	69"	4	\$17
FIPTP.85	85"	5	\$22

NOTES

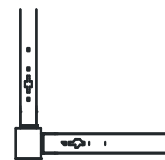
If frames are not of the same height, order Frame-to-Frame Package to match the height of the shorter frame.

This Frame-to-Frame Package joins two frames of the same or different heights in an inline situation.

- 29"H package includes two sets of hardware
- 37", 45" and 53" H packages include three sets
- 61" and 69"H packages include four sets
- 85"H package includes five sets

Includes connection hardware.

2-WAY 90° CONNECTOR



PART #	HEIGHT	WIDTH	DEPTH	WT. (LBS)	PRICE
FIC2W90.24	24-3/4"	1-11/16"	1-11/16"	3	\$66
FIC2W90.29	29-3/4"	1-11/16"	1-11/16"	4	\$71
FIC2W90.32	32-3/4"	1-11/16"	1-11/16"	4	\$85
FIC2W90.37	37-3/4"	1-11/16"	1-11/16"	4	\$90
FIC2W90.40	40-3/4"	1-11/16"	1-11/16"	4	\$94
FIC2W90.45	45-3/4"	1-11/16"	1-11/16"	4	\$99
FIC2W90.48	48-3/4"	1-11/16"	1-11/16"	5	\$106
FIC2W90.53	53-3/4"	1-11/16"	1-11/16"	6	\$111
FIC2W90.61	61-3/4"	1-11/16"	1-11/16"	6	\$120
FIC2W90.69	69-3/4"	1-11/16"	1-11/16"	7	\$129
FIC2W90.85	85-3/4"	1-11/16"	1-11/16"	7	\$150

NOTES

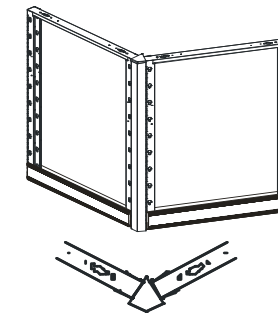
This connector joins two frames of the same or different heights at a 90° angle. It includes a top cap and attachment hardware.

If frames are not of the same height, order connector to match the height of the taller frame.

If frames are not of the same height as the connector, order Finished End Change of Height separately.

Connectors | (cont'd)

2-WAY 120° CONNECTOR



PART #	HEIGHT	WIDTH	DEPTH	WT. (LBS)	PRICE
FIC2W120.24	24-3/4"	—	1-11/16"	3	\$65
FIC2W120.29	29-3/4"	—	1-11/16"	4	\$70
FIC2W120.32	32-3/4"	—	1-11/16"	4	\$84
FIC2W120.37	37-3/4"	—	1-11/16"	4	\$89
FIC2W120.40	40-3/4"	—	1-11/16"	4	\$93
FIC2W120.45	45-3/4"	—	1-11/16"	4	\$98
FIC2W120.48	48-3/4"	—	1-11/16"	5	\$104
FIC2W120.53	53-3/4"	—	1-11/16"	6	\$109
FIC2W120.61	61-3/4"	—	1-11/16"	6	\$118
FIC2W120.69	69-3/4"	—	1-11/16"	7	\$127
FIC2W120.85	85-3/4"	—	1-11/16"	7	\$148

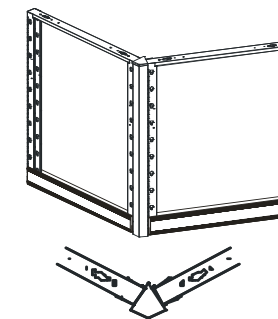
NOTES

This connector joins two frames of the same or different heights at a 120° angle. It includes a top cap and attachment hardware.

If frames are not of the same height, order connector to match the height of the taller frame.

If frames are not of the same height as the connector, order Finished End Change of Height separately.

2-WAY 135° CONNECTOR



PART #	HEIGHT	WIDTH	DEPTH	WT. (LBS)	PRICE
FIC2W135.24	24-3/4"	—	1-11/16"	3	\$65
FIC2W135.29	29-3/4"	—	1-11/16"	4	\$70
FIC2W135.32	32-3/4"	—	1-11/16"	4	\$84
FIC2W135.37	37-3/4"	—	1-11/16"	4	\$89
FIC2W135.40	40-3/4"	—	1-11/16"	4	\$93
FIC2W135.45	45-3/4"	—	1-11/16"	4	\$98
FIC2W135.48	48-3/4"	—	1-11/16"	5	\$104
FIC2W135.53	53-3/4"	—	1-11/16"	6	\$109
FIC2W135.61	61-3/4"	—	1-11/16"	6	\$118
FIC2W135.69	69-3/4"	—	1-11/16"	7	\$127
FIC2W135.85	85-3/4"	—	1-11/16"	7	\$148

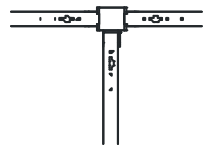
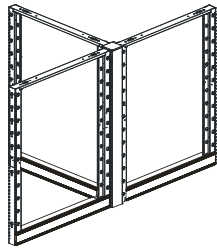
NOTES

This connector joins two frames of the same or different heights at a 135° angle. It includes a top cap and attachment hardware.

If frames are not of the same height, order connector to match the height of the taller frame.

If frames are not of the same height as the connector, order Finished End Change of Height separately.

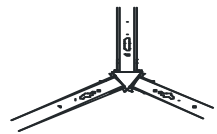
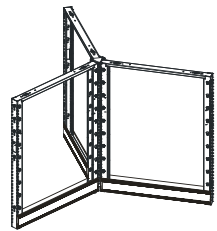
3-WAY 90° CONNECTOR



PART #	HEIGHT	WIDTH	DEPTH	WT. (LBS)	PRICE
FIC3W90.24	24-3/4"	1-11/16"	1-11/16"	3	\$66
FIC3W90.29	29-3/4"	1-11/16"	1-11/16"	3	\$70
FIC3W90.32	32-3/4"	1-11/16"	1-11/16"	4	\$86
FIC3W90.37	37-3/4"	1-11/16"	1-11/16"	4	\$91
FIC3W90.40	40-3/4"	1-11/16"	1-11/16"	4	\$97
FIC3W90.45	45-3/4"	1-11/16"	1-11/16"	4	\$102
FIC3W90.48	48-3/4"	1-11/16"	1-11/16"	5	\$116
FIC3W90.53	53-3/4"	1-11/16"	1-11/16"	6	\$124
FIC3W90.61	61-3/4"	1-11/16"	1-11/16"	6	\$129
FIC3W90.69	69-3/4"	1-11/16"	1-11/16"	6	\$137
FIC3W90.85	85-3/4"	1-11/16"	1-11/16"	7	\$158

NOTES
 This connector joins three frames of the same or different heights at a 90° angle. It includes a top cap and attachment hardware.
 If frames are not of the same height, order connector to match the height of the taller frame.
 If frames are not of the same height as the connector, order Finished End Change of Height separately.

3-WAY 120° CONNECTOR

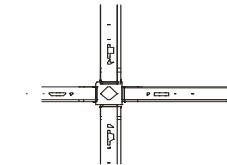
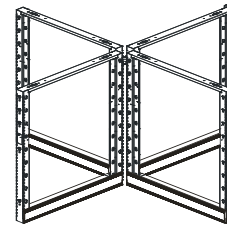


PART #	HEIGHT	WIDTH	DEPTH	WT. (LBS)	PRICE
FIC3W120.24	24-3/4"	—	1-11/16"	3	\$63
FIC3W120.29	29-3/4"	—	1-11/16"	4	\$67
FIC3W120.32	32-3/4"	—	1-11/16"	4	\$74
FIC3W120.37	37-3/4"	—	1-11/16"	4	\$79
FIC3W120.40	40-3/4"	—	1-11/16"	4	\$82
FIC3W120.45	45-3/4"	—	1-11/16"	4	\$86
FIC3W120.48	48-3/4"	—	1-11/16"	5	\$93
FIC3W120.53	53-3/4"	—	1-11/16"	6	\$98
FIC3W120.61	61-3/4"	—	1-11/16"	6	\$105
FIC3W120.69	69-3/4"	—	1-11/16"	7	\$113
FIC3W120.85	85-3/4"	—	1-11/16"	7	\$132

NOTES
 This connector joins three frames of the same or different heights at a 120° angle. It includes a top cap and attachment hardware.
 If frames are not of the same height, order connector to match the height of the taller frame.
 If frames are not of the same height as the connector, order Finished End Change of Height separately.

Connectors | (cont'd)

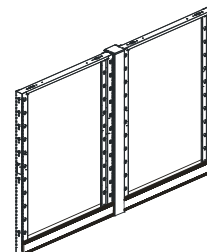
4-WAY 90° CONNECTOR



PART #	HEIGHT	WIDTH	DEPTH	WT. (LBS)	PRICE
FIC4W90.24	24-3/4"	1-11/16"	1-11/16"	3	\$67
FIC4W90.29	29-3/4"	1-11/16"	1-11/16"	4	\$71
FIC4W90.32	32-3/4"	1-11/16"	1-11/16"	4	\$80
FIC4W90.37	37-3/4"	1-11/16"	1-11/16"	4	\$84
FIC4W90.40	40-3/4"	1-11/16"	1-11/16"	4	\$88
FIC4W90.45	45-3/4"	1-11/16"	1-11/16"	4	\$92
FIC4W90.48	48-3/4"	1-11/16"	1-11/16"	5	\$95
FIC4W90.53	53-3/4"	1-11/16"	1-11/16"	6	\$100
FIC4W90.61	61-3/4"	1-11/16"	1-11/16"	6	\$112
FIC4W90.69	69-3/4"	1-11/16"	1-11/16"	7	\$120
FIC4W90.85	85-3/4"	1-11/16"	1-11/16"	7	\$141

NOTES
 This connector joins four frames of the same or different heights at a 90° angle. It includes a top cap, and attachment hardware.
 If frames are not of the same height, order connector to match the height of the taller frame.
 If frames are not of the same height as the connector, order Finished End Change of Height separately.

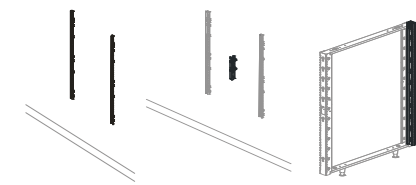
SPACER CONNECTOR



PART #	HEIGHT	WIDTH	DEPTH	WT. (LBS)	PRICE
FISC.24	24-3/4"	2-9/16"	2-9/16"	3	\$101
FISC.29	29-3/4"	2-9/16"	2-9/16"	4	\$113
FISC.32	32-3/4"	2-9/16"	2-9/16"	4	\$123
FISC.37	37-3/4"	2-9/16"	2-9/16"	4	\$136
FISC.40	40-3/4"	2-9/16"	2-9/16"	4	\$144
FISC.45	45-3/4"	2-9/16"	2-9/16"	4	\$156
FISC.48	48-3/4"	2-9/16"	2-9/16"	5	\$166
FISC.53	53-3/4"	2-9/16"	2-9/16"	6	\$179
FISC.61	61-3/4"	2-9/16"	2-9/16"	6	\$209
FISC.69	69-3/4"	2-9/16"	2-9/16"	7	\$229
FISC.85	85-3/4"	2-9/16"	2-9/16"	7	\$272

NOTES
 This connector joins two frames of the same or different heights in a straight line. It includes a top cap and attachment hardware.
 If frames are not of the same height, order connector to match the height of the taller frame.
 If frames are not of the same height as the connector, order Finished End Change of Height separately.

Other Connectors



DESCRIPTION

For wall mounting.

NOTES

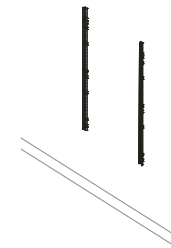
SPECIFICATION OPTIONS

product #: see charts below
finish: CW Cloud White, BU Black Umber

ORDER EXAMPLE

product #: FIWSST.40
finish: CW

WALL STRIP



PART #	HEIGHT	WIDTH	DEPTH	WT. (LBS)	PRICE
FIWSST.40	40"	1"	.750"	3	\$40
FIWSST.56	56"	1"	.750"	4	\$52
FIWSST.64	64"	1"	.750"	4	\$60
FIWSST.80	80"	1"	.750"	5	\$73

NOTES

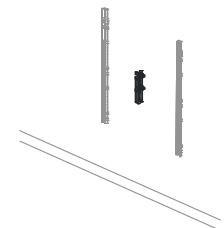
This double slotted strip attaches to a wall, and supports hanging components. Two wall strips are needed to install a component or a tile. Two adjacent components can share support from a single wall strip in the middle.

Wall Strip cannot be used to hold Window Tiles, Cable Access, Power and Data Access Tiles, or Markerboard.

To attach a Tile to the Wall Strip, order Tile Adapter separately.

Specify CW Cloud White or BU Black.

TILE ADAPTER



PART #	HEIGHT	WIDTH	DEPTH	WT. (LBS)	PRICE
FITA.08	8	—	—	1	\$14
FITA.16	16	—	—	1	\$28
FITA.32	32	—	—	2	\$36

NOTES

Tile Adapters are used to hang tiles from a Wall Strip.

It cannot be used for a Window Tile, Cable Access, Power and Data Access Tiles, or Markerboard.

Sold in pairs.

Order Wall Strip separately.

Finish: Black only.

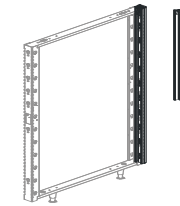
When using a combination of Tile Adapter, to achieve the correct height needed, 8"H Adapter must be used at the bottom.

Additional Notes:

- 8" tile adapters for use only at the bottom of a 40" or 56" wall strip. Not for use in any other position nor in 64/80" high wall strips
- Tile adapter dimension does not need to match the tiles installed (i.e. a 24" tile should be installed on a 32" tile adapter)
- When using a 32"H tile adapter, do not use an 8"H tile in the bottom position

Other Connectors | (cont'd)

WALL START



PART #	HEIGHT	WIDTH	DEPTH	WT. (LBS)	PRICE
FIWST.24	24-3/4"	2-9/16"	29/32"	4	\$98
FIWST.29	29-3/4"	2-9/16"	29/32"	4	\$98
FIWST.32	32-3/4"	2-9/16"	29/32"	4	\$98
FIWST.37	37-3/4"	2-9/16"	29/32"	4	\$98
FIWST.40	40-3/4"	2-9/16"	29/32"	5	\$115
FIWST.45	45-3/4"	2-9/16"	29/32"	5	\$115
FIWST.48	48-3/4"	2-9/16"	29/32"	6	\$133
FIWST.53	53-3/4"	2-9/16"	29/32"	6	\$133
FIWST.61	61-3/4"	2-9/16"	29/32"	7	\$151
FIWST.69	69-3/4"	2-9/16"	29/32"	8	\$168
FIWST.85	85"-3/4"	2-9/16"	29/32"	10	\$204

NOTES

This Wall Start connects a frame or a connector of the same height, to a wall or column at a 90° angle.

Specify height of the Wall Start to match the height of the frame or connector.

A/B Base Trim

DESCRIPTION

Finishes opening in connector when transitioning from A to B style.

NOTES

When mixing A/B frames, specify connector to match the A Style frame.

SPECIFICATION OPTIONS

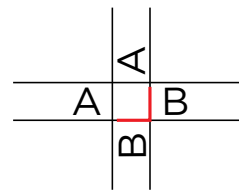
product #: see charts below
finish: CW Cloud White, BU Black Umber

ORDER EXAMPLE

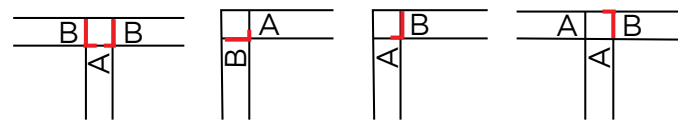
product #: FIABBT-1
finish: CW

A/B Base Trim

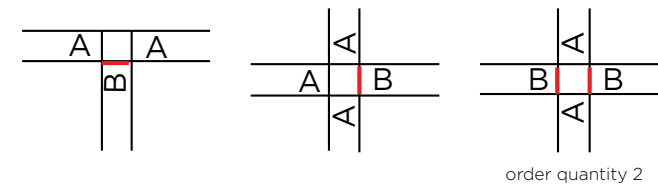
PART #	HEIGHT	WIDTH	DEPTH	WT. (LBS)	PRICE	NOTES
FIABBT-1	-	-	-	-	\$21	For use at 4-Way 90°.



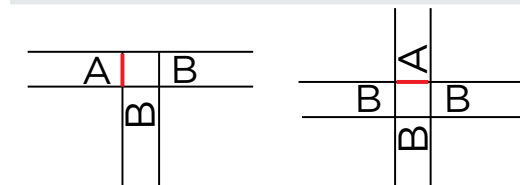
FIABBT-2	-	-	-	-	\$11	For use at 2/3-Way 90°.
----------	---	---	---	---	------	-------------------------



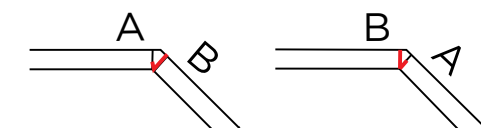
FIABBT-3	-	-	-	-	\$14	For use at 3/4-Way 180°.
----------	---	---	---	---	------	--------------------------



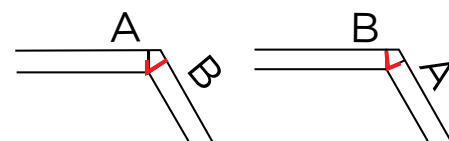
FIABBT-4	-	-	-	-	\$12	For use at frame end.
----------	---	---	---	---	------	-----------------------



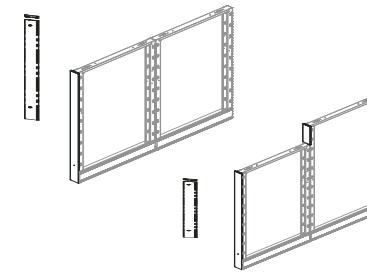
FIABBT-5	-	-	-	-	\$10	For use at 2-Way 135°
----------	---	---	---	---	------	-----------------------



FIABBT-6	-	-	-	-	\$10	For use at 2-Way 120°
----------	---	---	---	---	------	-----------------------



Finished Ends



DESCRIPTION

NOTES

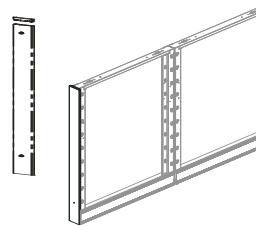
SPECIFICATION OPTIONS

product #: see charts below
finish: CW Cloud White, BU Black Umber

ORDER EXAMPLE

product #: FIFE.29
finish: CW

FINISHED END



PART #	HEIGHT	WIDTH	DEPTH	WT. (LBS)	PRICE	NOTES
FIFE.24	24-3/4"	2-9/16"	25/64"	3	\$30	This Finished End covers the exposed end of a frame.
FIFE.29	29-3/4"	2-9/16"	25/64"	3	\$34	
FIFE.32	32-3/4"	2-9/16"	25/64"	3	\$38	
FIFE.37	37-3/4"	2-9/16"	25/64"	3	\$43	
FIFE.40	40-3/4"	2-9/16"	25/64"	4	\$46	
FIFE.45	45-3/4"	2-9/16"	25/64"	4	\$51	
FIFE.48	48-3/4"	2-9/16"	25/64"	4	\$55	
FIFE.53	53-3/4"	2-9/16"	25/64"	5	\$59	
FIFE.61	61-3/4"	2-9/16"	25/64"	6	\$68	
FIFE.69	69-3/4"	2-9/16"	25/64"	6	\$76	
FIFE.85	85-3/4"	2-9/16"	25/64"	8	\$93	

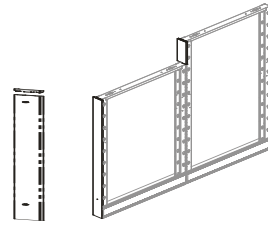
FINISHED END CHANGE OF HEIGHT FOR CONNECTORS



PART #	HEIGHT	WIDTH	DEPTH	WT. (LBS)	PRICE	NOTES
FIFECH.08	8-3/4"	2-9/16"	25/64"	1	\$12	This Finished End Change of Height covers the exposed end of a connector when joining frames and connectors of unequal heights. Cover includes hardware to attach to frames or connectors of different heights.
FIFECH.16	16-3/4"	2-9/16"	25/64"	1	\$21	
FIFECH.24	24-3/4"	2-9/16"	25/64"	2	\$29	
FIFECH.32	32-3/4"	2-9/16"	25/64"	3	\$37	
FIFECH.40	40-3/4"	2-9/16"	25/64"	4	\$45	
FIFECH.48	48-3/4"	2-9/16"	25/64"	4	\$54	
FIFECH.56	56-3/4"	2-9/16"	25/64"	5	\$62	
FIFECH.08-37*	8-3/4"	2-9/16"	25/64"	1	\$18	

* Specifically for joining frames and connectors of 29" to 37"

FINISHED END CHANGE OF HEIGHT FOR FRAMES



PART #	HEIGHT	WIDTH	DEPTH	WT. (LBS)	PRICE
FIFECHF.08	8-3/4"	2-9/16"	25/64"	1	\$12
FIFECHF.16	16-3/4"	2-9/16"	25/64"	1	\$21
FIFECHF.24	24-3/4"	2-9/16"	25/64"	2	\$29
FIFECHF.32	32-3/4"	2-9/16"	25/64"	3	\$37
FIFECHF.40	40-3/4"	2-9/16"	25/64"	4	\$45
FIFECHF.48	48-3/4"	2-9/16"	25/64"	4	\$54
FIFECHF.56	56-3/4"	2-9/16"	25/64"	5	\$62
FIFECHF.08-37*	8-3/4"	2-9/16"	25/64"	1	\$18

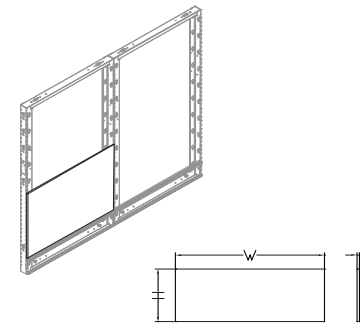
* Specifically for joining frames and connectors of 29" to 37"

NOTES

This Finished End Change of Height covers the exposed end of a frame when joining frames and connectors of unequal heights.

Cover includes hardware to attach to frames or connectors of different heights.

Fabric Covered Tile



DESCRIPTION

Fabric Covered tiles attach to one side of a frame or Wall Strip. Only 8"H fabric tiles are magnetic. 16", 24" and 32" are tackable and acoustical.

NOTES

- To attach to a Wall Strip, order the Tile Adapter separately.

SPECIFICATION OPTIONS

product #: see charts below
fabric color: see page 10

ORDER EXAMPLE

product #: FIFT.0824
fabric color: PF501-1 Sticks - Smoke

8"H TILES, MAGNETIC/NON-TACKABLE

PART #	HEIGHT	WIDTH	DEPTH	WT. (LBS)	PRICE
FIFT.0824	8"	24"	7/16"	3	\$76
FIFT.0830	8"	30"	7/16"	4	\$82
FIFT.0836	8"	36"	7/16"	5	\$88
FIFT.0842	8"	42"	7/16"	5	\$94
FIFT.0848	8"	48"	7/16"	6	\$99

16"H TILES, TACKABLE/ACOUSTICAL

PART #	HEIGHT	WIDTH	DEPTH	WT. (LBS)	PRICE
FIFT.1624	16"	24"	7/16"	6	\$50
FIFT.1630	16"	30"	7/16"	7	\$59
FIFT.1636	16"	36"	7/16"	9	\$65
FIFT.1642	16"	42"	7/16"	10	\$71
FIFT.1648	16"	48"	7/16"	11	\$76

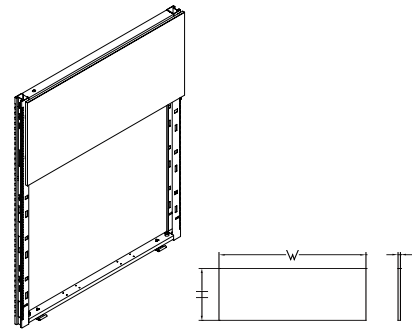
24"H TILES, TACKABLE/ACOUSTICAL

PART #	HEIGHT	WIDTH	DEPTH	WT. (LBS)	PRICE
FIFT.2424	24"	24"	7/16"	7	\$65
FIFT.2430	24"	30"	7/16"	11	\$74
FIFT.2436	24"	36"	7/16"	12	\$84
FIFT.2442	24"	42"	7/16"	15	\$91
FIFT.2448	24"	48"	7/16"	17	\$99

32"H TILES, TACKABLE/ACOUSTICAL

PART #	HEIGHT	WIDTH	DEPTH	WT. (LBS)	PRICE
FIFT.3224	32"	24"	7/16"	11	\$95
FIFT.3230	32"	30"	7/16"	14	\$112
FIFT.3236	32"	36"	7/16"	17	\$125
FIFT.3242	32"	42"	7/16"	19	\$138
FIFT.3248	32"	48"	7/16"	22	\$150

Tackable/Acoustical Tile | Tile to Floor Application



DESCRIPTION

Tackable/Acoustical Tiles are fabric covered, and attach to one side of a frame when not using a Leg or Raceway. It can also be used with Wall Strip. Attachment hardware is included.

NOTES

- To attach a Fabric Tile to a Wall Strip, order the Tile Adapter separately.

SPECIFICATION OPTIONS

product #: see charts below
fabric color: see page 10
tile finish (if applicable): CW Cloud White, BU Black Umber

ORDER EXAMPLE

product #: FIFT.2924
fabric color: PF501-1 Sticks - Smoke
tile finish: CW

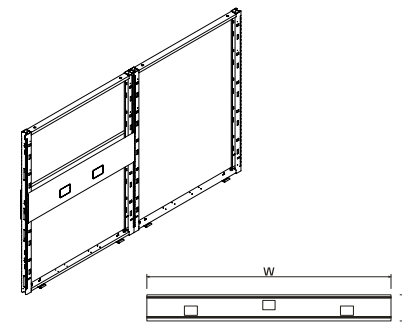
29"H TILES

PART #	HEIGHT	WIDTH	DEPTH	WT. (LBS)	PRICE
FIFT.2924	29"	24"	7/16"	3	\$95
FIFT.2930	29"	30"	7/16"	4	\$112
FIFT.2936	29"	36"	7/16"	5	\$125
FIFT.2942	29"	42"	7/16"	5	\$138
FIFT.2948	29"	48"	7/16"	6	\$150

37"H TILES

PART #	HEIGHT	WIDTH	DEPTH	WT. (LBS)	PRICE
FIFT.3724	37"	24"	7/16"	3	\$104
FIFT.3730	37"	30"	7/16"	4	\$121
FIFT.3736	37"	36"	7/16"	5	\$136
FIFT.3742	37"	42"	7/16"	5	\$149
FIFT.3748	37"	48"	7/16"	6	\$163

Beltline Fabric Tile



DESCRIPTION

8"H Tiles attach to one side of a frame of equal width, and has a fabric covered surface. It provides a channel for data cables along the frame above the worksurface. This tile cannot be used with wall strips or Tile Adapters.

NOTES

- 24"W Tiles have one power access.
- 30", 36", 42" and 48"W Tiles have two power accesses.
- To access power, order Beltline Power Retro separately.

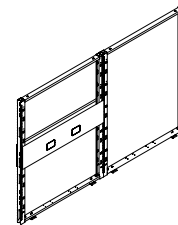
SPECIFICATION OPTIONS

product #: see charts below
fabric color: see page 10
duplex window frame finish: CW Cloud White, BU Black Umber

ORDER EXAMPLE

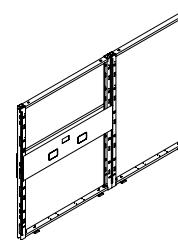
product #: FIFT.0824
fabric color: PF501-1 Sticks - Smoke
duplex window frame finish: CW

BELTLINE POWER ACCESS TILE



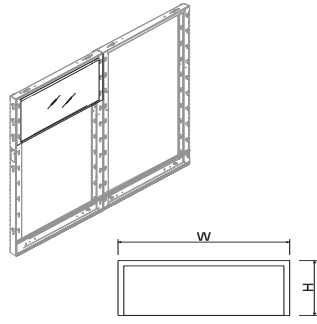
PART #	HEIGHT	WIDTH	DEPTH	WT. (LBS)	PRICE	NOTES
FIBPA.0824	8"	24"	7/16"	4	\$57	Order Duplex separately.
FIBPA.0830	8"	30"	7/16"	5	\$73	Data Port Plate cannot be installed in this tile.
FIBPA.0836	8"	36"	7/16"	6	\$80	
FIBPA.0842	8"	42"	7/16"	8	\$86	
FIBPA.0848	8"	48"	7/16"	9	\$93	

BELTLINE POWER AND DATA ACCESS TILE



PART #	HEIGHT	WIDTH	DEPTH	WT. (LBS)	PRICE	NOTES
FIBPDA.0824	8"	24"	7/16"	4	\$58	Data Port location is on the right side of a 24"W Tile, and in the center of the 30", 36", 42", and 48"W Tiles.
FIBPDA.0830	8"	30"	7/16"	5	\$74	
FIBPDA.0836	8"	36"	7/16"	6	\$81	
FIBPDA.0842	8"	42"	7/16"	8	\$87	
FIBPDA.0848	8"	48"	7/16"	9	\$93	Order Data Port Plate and Duplex separately.

Window Tile



DESCRIPTION

Window Tiles attach to frames of the same width. Order one Window Tile per position.

NOTES

- Do not use with Wall Strips, Tile Adapter, or Power Retro.
- Only Window Tile Stacking may be used with Stacking Frames.
- Window Tiles Top, Middle or Bottom cannot be used with Stacking Frames.
- Specify Tile Trim Finish.
- Position at top, middle or bottom only.
- Cannot be used as dry erase surface.

SPECIFICATION OPTIONS

product #: see charts below
trim finish: CW Cloud White, BU Black Umber
tile glazing: FR Frosted (available with Lead Time 6-8 weeks), TR Clear

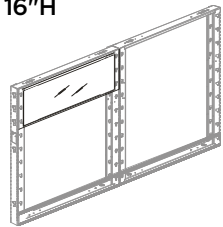
ORDER EXAMPLE

product #: FIWTT.1624
trim finish: CW
tile glazing: TR

WINDOW TILE STACKING
16"H

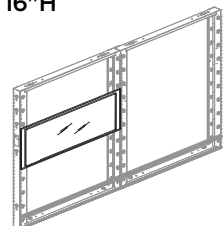
PART #	HEIGHT	WIDTH	DEPTH	WT. (LBS)	PRICE	NOTES
FIWTS.1624	16"	24"	2-9/16"	—	\$188	This tile is used with Stacking Frames.
FIWTS.1630	16"	30"	2-9/16"	—	\$210	
FIWTS.1636	16"	36"	2-9/16"	—	\$232	Call factory for availability.
FIWTS.1642	16"	42"	2-9/16"	—	\$255	
FIWTS.1648	16"	48"	2-9/16"	—	\$277	

WINDOW TILE TOP
16"H



PART #	HEIGHT	WIDTH	DEPTH	WT. (LBS)	PRICE	NOTES
FIWTT.1624	16"	24"	2-9/16"	—	\$188	This tile is used at the top of a frame.
FIWTT.1630	16"	30"	2-9/16"	—	\$210	
FIWTT.1636	16"	36"	2-9/16"	—	\$232	
FIWTT.1642	16"	42"	2-9/16"	—	\$255	
FIWTT.1648	16"	48"	2-9/16"	—	\$277	

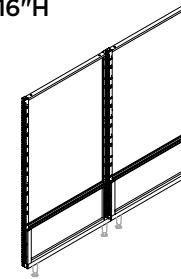
WINDOW TILE MIDDLE
16"H



PART #	HEIGHT	WIDTH	DEPTH	WT. (LBS)	PRICE	NOTES
FIWTM.1624	16"	24"	2-9/16"	—	\$188	This tile is used at the middle of a frame.
FIWTM.1630	16"	30"	2-9/16"	—	\$210	
FIWTM.1636	16"	36"	2-9/16"	—	\$232	
FIWTM.1642	16"	42"	2-9/16"	—	\$255	
FIWTM.1648	16"	48"	2-9/16"	—	\$277	

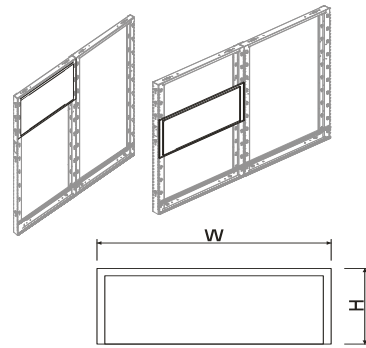
Window Tile | (cont'd)

WINDOW TILE BOTTOM
16"H



PART #	HEIGHT	WIDTH	DEPTH	WT. (LBS)	PRICE	NOTES
FIWTB.1624	16"	24"	2-9/16"	—	\$188	This tile is used at the bottom of a frame.
FIWTB.1630	16"	30"	2-9/16"	—	\$210	
FIWTB.1636	16"	36"	2-9/16"	—	\$232	
FIWTB.1642	16"	42"	2-9/16"	—	\$255	
FIWTB.1648	16"	48"	2-9/16"	—	\$277	

Open Tile



DESCRIPTION

Open Tile finishes a frame, and provides access for verbal or physical communication.

NOTES

- Do not use with a Stacking Frame or Power Retro.
- One tile finishes both sides of a frame.
- Specify Tile Trim Finish.
- Position at top, middle or bottom only.

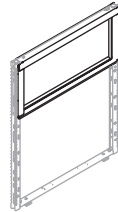
SPECIFICATION OPTIONS

product #: see charts below
trim finish: CW Cloud White, BU Black Umber

ORDER EXAMPLE

product #: FIOTT.1624
trim finish: CW

OPEN TILE TOP 16"H

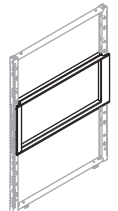


PART #	HEIGHT	WIDTH	DEPTH	WT. (LBS)	PRICE
FIOTT.1624	16"	24"	2-9/16"	10	\$162
FIOTT.1630	16"	30"	2-9/16"	11	\$178
FIOTT.1636	16"	36"	2-9/16"	12	\$194
FIOTT.1642	16"	42"	2-9/16"	13	\$210
FIOTT.1648	16"	48"	2-9/16"	14	\$226

NOTES

Open Tile Top finishes a frame, and provides access for verbal communication. This tile is used at the top of a frame.

OPEN TILE MIDDLE 16"H

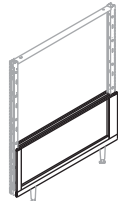


PART #	HEIGHT	WIDTH	DEPTH	WT. (LBS)	PRICE
FIOTM.1624	16"	24"	2-9/16"	10	\$162
FIOTM.1630	16"	30"	2-9/16"	11	\$178
FIOTM.1636	16"	36"	2-9/16"	12	\$194
FIOTM.1642	16"	42"	2-9/16"	13	\$210
FIOTM.1648	16"	48"	2-9/16"	14	\$226

NOTES

Open Tile Middle finishes a frame, and provides access for verbal communication, or improving air circulation.

OPEN TILE BOTTOM 16"H

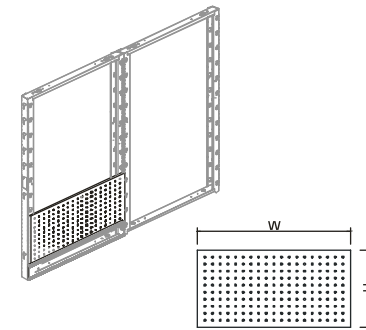


PART #	HEIGHT	WIDTH	DEPTH	WT. (LBS)	PRICE
FIOTB.1624	16"	24"	2-9/16"	10	\$162
FIOTB.1630	16"	30"	2-9/16"	11	\$178
FIOTB.1636	16"	36"	2-9/16"	12	\$194
FIOTB.1642	16"	42"	2-9/16"	13	\$210
FIOTB.1648	16"	48"	2-9/16"	14	\$226

NOTES

Open Tile Bottom finishes a frame, and provides access to wall or improving air circulation.

Perforated Metal Tile



DESCRIPTION

Perforated Metal Tile has round holes. It attaches to one side of a frame.

NOTES

- Surface is magnetic.
- Tile may be placed at any position along the frame.

SPECIFICATION OPTIONS

product #: see charts below
trim finish: CW Cloud White, BU Black Umber

ORDER EXAMPLE

product #: FIPMT.0824
trim finish: CW

8"H

PART #	HEIGHT	WIDTH	DEPTH	WT. (LBS)	PRICE
FIPMT.0824	8"	24"	7/16"	5	\$39
FIPMT.0830	8"	30"	7/16"	5	\$44
FIPMT.0836	8"	36"	7/16"	6	\$50
FIPMT.0842	8"	42"	7/16"	7	\$55
FIPMT.0848	8"	48"	7/16"	8	\$61

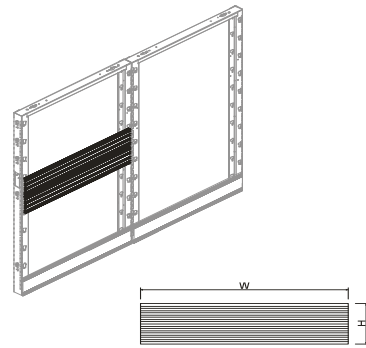
16"H

PART #	HEIGHT	WIDTH	DEPTH	WT. (LBS)	PRICE
FIPMT.1624	16"	24"	7/16"	9	\$65
FIPMT.1630	16"	30"	7/16"	10	\$76
FIPMT.1636	16"	36"	7/16"	11	\$86
FIPMT.1642	16"	42"	7/16"	13	\$97
FIPMT.1648	16"	48"	7/16"	14	\$108

24"H

PART #	HEIGHT	WIDTH	DEPTH	WT. (LBS)	PRICE
FIPMT.2424	24"	24"	7/16"	13	\$91
FIPMT.2430	24"	30"	7/16"	15	\$107
FIPMT.2436	24"	36"	7/16"	17	\$123
FIPMT.2442	24"	42"	7/16"	19	\$139
FIPMT.2448	24"	48"	7/16"	21	\$155

Rail Tile



DESCRIPTION

Rail Tile attaches to one side of a frame, or to wall strips.

NOTES

- Attachment hardware is included.
- To attach Rail Tile to Wall Strips, order Tile Adapters separately.
- Order Rail Tools separately.
- Specify Paint Finish.

SPECIFICATION OPTIONS

product #: see charts below
tile finish: CW Cloud White, BU Black Umber

ORDER EXAMPLE

product #: FIRT.0824
tile finish: CW

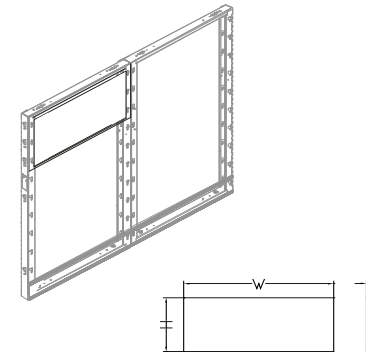
8"H

PART #	HEIGHT	WIDTH	DEPTH	WT. (LBS)	PRICE
FIRT.0824	8"	24"	7/16"	6	\$94
FIRT.0830	8"	30"	7/16"	7	\$116
FIRT.0836	8"	36"	7/16"	8	\$138
FIRT.0842	8"	42"	7/16"	10	\$160
FIRT.0848	8"	48"	7/16"	11	\$182

16"H

PART #	HEIGHT	WIDTH	DEPTH	WT. (LBS)	PRICE
FIRT.1624	16"	24"	7/16"	12	\$197
FIRT.1630	16"	30"	7/16"	15	\$245
FIRT.1636	16"	36"	7/16"	18	\$292
FIRT.1642	16"	42"	7/16"	21	\$339
FIRT.1648	16"	48"	7/16"	25	\$387

Markerboard Tile



DESCRIPTION

Tile attaches to one side of a frame of the same width. Erasable writing surface.

NOTES

- Marker and eraser not included.
- Do not use with Wall Strips or Tile Adapters.
- Markerboard tile cannot be installed at bottom position.
- Markerboard tile cannot be installed below worksurface
- Cannot install beltline power behind markerboard tile

SPECIFICATION OPTIONS

product #: see charts below
tile trim finish: CW Cloud White, BU Black Umber

ORDER EXAMPLE

product #: FIMT.1624
tile trim finish: CW

16"H

PART #	HEIGHT	WIDTH	DEPTH	WT. (LBS)	PRICE
FIMT.1624	16"	24"	7/16"	—	\$125
FIMT.1630	16"	30"	7/16"	—	\$141
FIMT.1636	16"	36"	7/16"	—	\$156
FIMT.1642	16"	42"	7/16"	—	\$172
FIMT.1648	16"	48"	7/16"	—	\$188

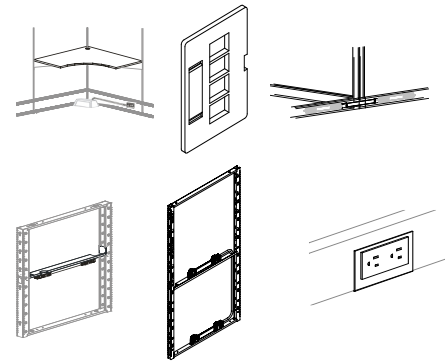
32"H

PART #	HEIGHT	WIDTH	DEPTH	WT. (LBS)	PRICE
FIMT.3224	32"	24"	7/16"	—	\$205
FIMT.3230	32"	30"	7/16"	—	\$230
FIMT.3236	32"	36"	7/16"	—	\$255
FIMT.3242	32"	42"	7/16"	—	\$280
FIMT.3248	32"	48"	7/16"	—	\$305

NOTES

32"H markerboard tiles cannot be installed on a 53"H frame.

Electrical Distribution



DESCRIPTION

NOTES

- Four 20-amp circuits.
- Circuit 1, 2, 3, 4 and 4 is dedicated.

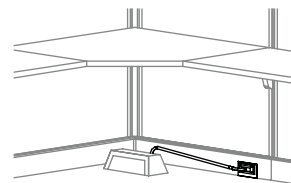
SPECIFICATION OPTIONS

product #: see charts below
pole finish: CW Cloud White, BU Black Umber

ORDER EXAMPLE

product #: FIBPE
pole finish: CW

BASE POWER ENTRY DIRECT CONNECT, 4-CIRCUIT



PART #	HEIGHT	WIDTH	DEPTH	WT. (LBS)	PRICE
FIBPE	—	—	—	5	\$271

NOTES

Connects building power from a wall, floor monument or column to the base of a frame.

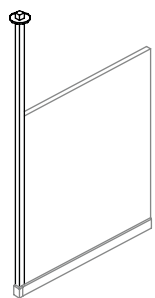
Plugs directly into the panel's electrical harness at receptacle location.

Distributes up to four 20-amp circuits.

Includes a 6' conduit that can be field-cut to the appropriate length.

MUST BE WIRED BY A LICENSED ELECTRICIAN

CEILING POWER ENTRY INTERNAL DIRECT CONNECT, 4-CIRCUIT



PART #	HEIGHT	WIDTH	DEPTH	WT. (LBS)	PRICE
FICPE.29	14'	—	—	—	\$546
FICPE.37	14'	—	—	—	\$546
FICPE.45	14'	—	—	—	\$546
FICPE.53	14'	—	—	—	\$546
FICPE.61	14'	—	—	—	\$546
FICPE.69	14'	—	—	—	\$546
FICPE.85	14'	—	—	—	\$546

NOTES

Connects to base of a Powered Frame at the end of the Power Retro.

Distributes up to four 20-amp circuits.

Attaches to the end of a frame or to a 2- or 3-Way connection.

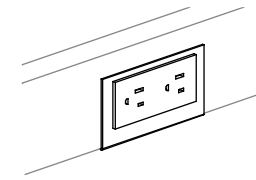
- When placing a Power Pole at:
- a 2-Way connection, you must order a 3-Way Connector.
 - a 3-Way connection, you must order a 4-Way Connector.

Includes a rigid conduit and conduit connector, factory installed power harness, 14' pole. Top Trim is included.

MUST BE WIRED BY A LICENSED ELECTRICIAN

Electrical Distribution | (cont'd)

RECEPTACLE 4-CIRCUITS



PART #	HEIGHT	WIDTH	DEPTH	WT. (LBS)	PRICE
FIRECP4.I	circuit I	—	—	0.25"	\$26
FIRECP4.II	circuit II	—	—	0.25"	\$26
FIRECP4.III	circuit III	—	—	0.25"	\$26
FIRECP4.IIIII	circuit IIII (dedicated)	—	—	0.25"	\$26
FIRECP4.II-CONT	Circuit II	—	—	0.25"	\$26
FIRECP4.III-CONT	Circuit III	—	—	0.25"	\$26

NOTES

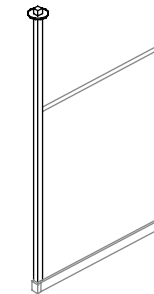
Locks into base power harness or Beltline Power Retro.

Provides access to I, II, III, IIII circuit.

Provides dedicated circuit with "IIII" receptacle.

Receptacle -CONT are permanently marked CONTROLLED on the face of the receptacle and must be connected to a timer or motion sensor at the infeed location by a licensed electrician in order to comply with California T24

CEILING DATA ENTRY NON-POWERED



PART #	HEIGHT	WIDTH	DEPTH	WT. (LBS)	PRICE
FICDE.29	—	—	—	—	\$215
FICDE.37	—	—	—	—	\$215
FICDE.45	—	—	—	—	\$215
FICDE.53	—	—	—	—	\$215
FICDE.61	—	—	—	—	\$215
FICDE.69	—	—	—	—	\$215
FICDE.85	—	—	—	—	\$215

NOTES

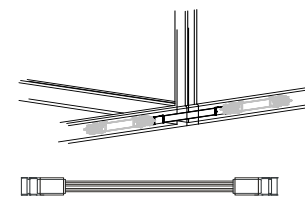
Routes Data/Telecommunication cables from the ceiling to the base of a Powered or Non-Powered Frame.

Attaches to the end of a frame or to a 2- or 3-Way connection.

- When placing a Power Pole at:
- a 2-Way connection, you must order a 3-Way Connector.
 - a 3-Way connection, you must order a 4-Way Connector

Includes a 14' conduit, 12' Pole and Top Trim.

PASS-THROUGH FESTOON 23" LONG 4-CIRCUIT

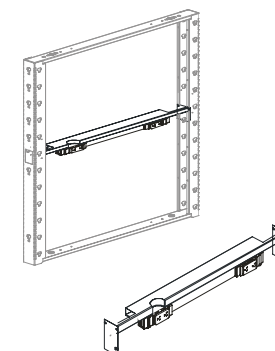


PART #	HEIGHT	WIDTH	DEPTH	WT. (LBS)	PRICE
FIPTF.23	—	—	—	1	\$90

NOTES

For use when connecting power in a straight line through a 3- or 4-Way Connector, or when connecting power at a 90° angle at a 2-, 3- or 4-Way Connector.

BELTLINE POWER RETRO



PART #	HEIGHT	WIDTH	DEPTH	WT. (LBS)	PRICE
FIBPR.24	—	24"	—	3	\$205
FIBPR.30	—	30"	—	3	\$230
FIBPR.36	—	36"	—	4	\$263
FIBPR.42	—	42"	—	4	\$296
FIBPR.48	—	48"	—	5	\$326

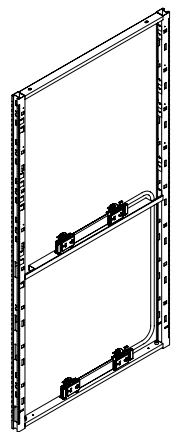
NOTES

Used to access power and data above the worksurface level. It distributes up to four 20-amp circuits, and provides duplex locations on both sides of a frame.

Support Bar included.

Attachment hardware included.

IN FRAME POWER JUMPER

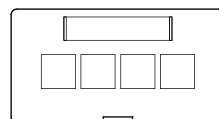
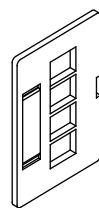


PART #	HEIGHT	WIDTH	DEPTH	WT. (LBS)	PRICE
FIIFPJ	—	—	—	2	\$346

NOTES
 Used to connect power from the base to the Beltline Power Retro.

 Cannot be used with a Window Tile, Open Tile, or Stacking Frame.

DATA PORT PLATE



PART #	HEIGHT	WIDTH	DEPTH	WT. (LBS)	PRICE
FIDPP	2.125"	3.625"	0.750"	0.10	\$37
FIDPP.BL	2.125"	3.625"	0.250"	0.10	\$37

NOTES
 Includes four port locations, and comes with one blank insert.

For use with Powered Frame with Data and Duplex Cutout, and Beltline Power and Data Access Tiles.

At the base data port plates can be installed in an unoccupied duplex location, or in a data location if applicable. Specify part number FIDPP.

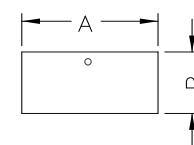
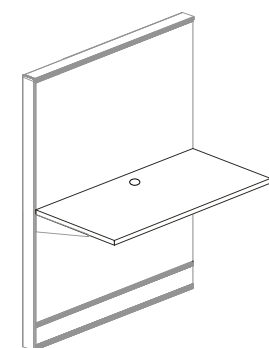
At the belt line data port plates can be installed on a power/data belt line tile in the data cut out location only. Specify part number FIDPP.BL.

POWER PANEL CONVERSION KIT

PART #	HEIGHT	WIDTH	DEPTH	WT. (LBS)	PRICE
FIPFCK.24	—	—	—	—	\$164
FIPFCK.30	—	—	—	—	\$190
FIPFCK.36	—	—	—	—	\$210
FIPFCK.42	—	—	—	—	\$235
FIPFCK.48	—	—	—	—	\$260

NOTES
 Includes power bar, base covers w/ power cutouts & festoon. Order power infeed & Duplexes separately.

Rectangular



DESCRIPTION
 Worksurface has a laminate top and a PVC edge. 54" to 84" worksurfaces have a center support. Includes cantilever brackets, attachment hardware and mending plates for securing front of worksurface to adjacent worksurface

NOTES
 • Worksurfaces 24"-48"W include 1 grommet in center rear, and worksurfaces 54"-84"W include 2 grommets 18" from each end.

When ordering a worksurface spanning a panel and a 3-Way or Spacer Connector, or two panels with a 3-Way or Spacer Connector in between the panels, you will need to:

- add 2 9/16" to the length of the worksurface
- add "-3W" to the part number
- add \$80 to the list price

example:
 Two 30"W Frames with one 3-Way Connector equals to 62 9/16". In this case, order FIRWS.2460L-3W (\$278 + \$80 = \$358)

SPECIFICATION OPTIONS
product #: see charts below
edge finish: 3MM PVC, see page 12
worksurface finish: see page 12

ORDER EXAMPLE
product #: FIRWS.2424L
edge finish: LM
worksurface finish: Light Maple

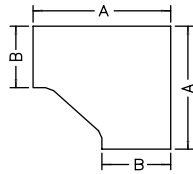
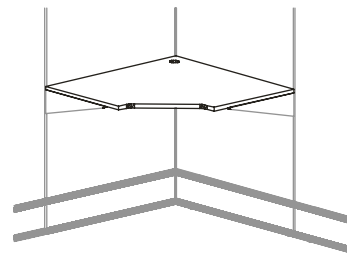
24" D WORKSURFACES

PART #	HEIGHT	A	B	C	D	WT. (LBS)	PRICE
FIRWS.2424L	1.25"	24"	24"	—	—	30	\$185
FIRWS.2430L	1.25"	30"	24"	—	—	36	\$212
FIRWS.2436L	1.25"	36"	24"	—	—	41	\$219
FIRWS.2442L	1.25"	42"	24"	—	—	47	\$269
FIRWS.2448L	1.25"	48"	24"	—	—	53	\$276
FIRWS.2454L	1.25"	54"	24"	—	—	58	\$316
FIRWS.2460L	1.25"	60"	24"	—	—	64	\$343
FIRWS.2466L	1.25"	66"	24"	—	—	70	\$384
FIRWS.2472L	1.25"	72"	24"	—	—	76	\$393
FIRWS.2478L	1.25"	78"	24"	—	—	81	\$462
FIRWS.2484L	1.25"	84"	24"	—	—	87	\$466

30" D WORKSURFACES

PART #	HEIGHT	A	B	C	D	WT. (LBS)	PRICE
FIRWS.3024L	1.25"	24"	30"	—	—	38	\$246
FIRWS.3030L	1.25"	30"	30"	—	—	45	\$281
FIRWS.3036L	1.25"	36"	30"	—	—	53	\$288
FIRWS.3042L	1.25"	42"	30"	—	—	60	\$346
FIRWS.3048L	1.25"	48"	30"	—	—	66	\$354
FIRWS.3054L	1.25"	54"	30"	—	—	74	\$402
FIRWS.3060L	1.25"	60"	30"	—	—	81	\$430
FIRWS.3066L	1.25"	66"	30"	—	—	88	\$480
FIRWS.3072L	1.25"	72"	30"	—	—	95	\$490
FIRWS.3078L	1.25"	78"	30"	—	—	103	\$575
FIRWS.3084L	1.25"	84"	30"	—	—	111	\$579

90° Notched and Curved Corner | Worksurface



DESCRIPTION

Worksurface hangs from frames or Wall Strip. It has a laminate top and a PVC edge. It has 24"D or 30"D connecting sides.

NOTES

- Includes cantilever brackets, one corner bracket, and attachment hardware.
- Worksurfaces have one grommet 4" from the corner.
- Mending plates are included with rectangular worksurfaces only. Order mending plates separately if placing corner worksurface next to another corner worksurface without rectangular worksurface return

SPECIFICATION OPTIONS

product #: see charts below
edge finish: 3MM PVC, see page 12
worksurface finish: see page 12

ORDER EXAMPLE

product #: FICWS.2436L
edge finish: LM
worksurface finish: Light Maple

90° NOTCHED CORNER

PART #	HEIGHT	A	B	C	D	WT. (LBS)	PRICE
FICWS.2436L	1.25"	36" *	24"	—	—	53	\$356
FICWS.2442L	1.25"	42"	24"	—	—	72	\$440
FICWS.2448L	1.25"	48"	24"	—	—	83	\$466
FICWS.3036L	1.25"	36" *	30"	—	—	60	\$395
FICWS.3042L	1.25"	42" *	30"	—	—	74	\$479
FICWS.3048L	1.25"	48"	30"	—	—	85	\$504

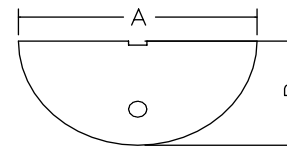
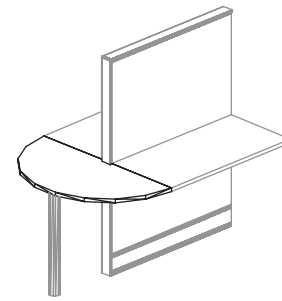
NOTES

* Corners are angled (not available with notched front edge)

90° CURVED CORNER

PART #	HEIGHT	A	B	C	D	WT. (LBS)	PRICE
FICCWS.2436L	1.25"	36"	24"	—	—	54	\$356
FICCWS.2442L	1.25"	42"	24"	—	—	68	\$440
FICCWS.2448L	1.25"	48"	24"	—	—	72	\$466
FICCWS.3036L	1.25"	36"	30"	—	—	60	\$395
FICCWS.3042L	1.25"	42"	30"	—	—	76	\$479
FICCWS.3048L	1.25"	48"	30"	—	—	78	\$504

Half Circle | Worksurface



DESCRIPTION

This Half Circle Worksurface has a notch, and attaches to the end of two back to back Rectangular or Extended Corner Worksurfaces with a Frame divider (as shown in image). It has a laminate top, and a PVC edge. The notch allows for a flush fit at the end of the worksurface.

NOTES

- Support column leg has a leveling glide and attaching hardware
- Ships unassembled
- Column leg finish: Black or CW

SPECIFICATION OPTIONS

product #: see charts below
edge finish: 3MM PVC, see page 12
worksurface finish: see page 12
support finish: BU, CW

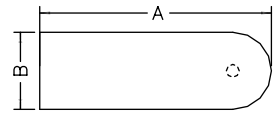
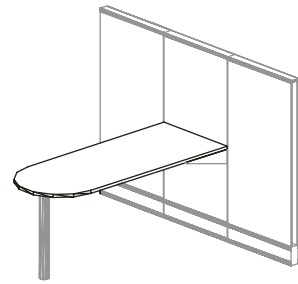
ORDER EXAMPLE

product #: FIEHCWS.50L
edge finish: LM
worksurface finish: Light Maple
support finish: CW

SQUARE EDGE HALF CIRCLE

PART #	HEIGHT	A	B	C	D	WT. (LBS)	PRICE
FIEHCWS.50L	1.25"	53"	26"	—	—	55	\$640
FIEHCWS.60L	1.25"	63"	32"	—	—	67	\$722

D-Shaped Peninsula | Worksurface



DESCRIPTION

Worksurface hangs from a frame or Wall Strips. It has a laminate top and a PVC edge.

NOTES

- Support column leg has a leveling glide and attaching hardware.
- Ships unassembled.
- Column leg finish: Black or CW.

SPECIFICATION OPTIONS

product #: see charts below
edge finish: 3MM PVC, see page 12
worksurface finish: see page 12
support finish: BU, CW

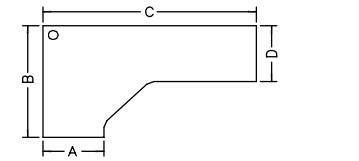
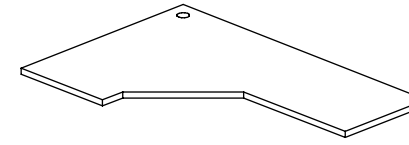
ORDER EXAMPLE

product #: FIEDSP.2448L
edge finish: LM
worksurface finish: Light Maple
support finish: CW

SQUARE EDGE D-SHAPED

PART #	HEIGHT	A	B	C	D	WT. (LBS)	PRICE
FIEDSP.2448L	1.25"	48"	24"	—	—	62	\$404
FIEDSP.3048L	1.25"	48"	30"	—	—	72	\$442
FIEDSP.2460L	1.25"	60"	24"	—	—	73	\$450
FIEDSP.3060L	1.25"	60"	30"	—	—	87	\$490
FIEDSP.3072L	1.25"	72"	30"	—	—	101	\$536
FIEDSP.3672L	1.25"	72"	36"	—	—	117	\$591

90° Extended Notched Corner | Worksurface



Right Extended shown

DESCRIPTION

Worksurface hangs from a frame or Wall Strips. It has a laminate top and a PVC edge. 54" to 84" worksurfaces have center support.

NOTES

- Includes two grommets, cantilever brackets, one corner bracket, and attachment hardware.
- Worksurfaces have one grommet 4" from the corner of the worksurface and one grommet 18" from the extended end of the worksurface.
- Specify L for left extended and R for right extended.

When ordering a worksurface spanning a panel and a 3-Way or Spacer Connector, or two panels with a 3-Way or Spacer Connector in between the panels, you will need to:

- add 2 9/16" to the length of the worksurface
- add "-3W" to the part number
- add \$80 to the list price

Example:

Two 30" Frames with one 3-Way Connector equals to 62 9/16". In this case, order FIENCWS.24366024L-3W (\$442 + \$80 = \$522)

- Mending plates are included with rectangular worksurfaces only.
- Order mending plates separately if placing corner worksurface next to another corner worksurface without rectangular worksurface return

SPECIFICATION OPTIONS

product #: see charts below
edge finish: 3MM PVC, see page 12
worksurface finish: see page 12
left or right extended: L for Left, R for Right

ORDER EXAMPLE

product #: FIENCWS.24366024L
edge finish: LM
worksurface finish: Light Maple
left or right extended: L

**24"D CONNECTING SIDE
 24"D EXTENSION
 36"D**

PART #	HEIGHT	A	B *	C	D	WT. (LBS)	PRICE
FIENCWS.24366024L	1.25"	24"	36" *	60"	24"	74	\$452
FIENCWS.24366024R	1.25"	24"	36" *	60"	24"	74	\$452
FIENCWS.24366624L	1.25"	24"	36" *	66"	24"	81	\$504
FIENCWS.24366624R	1.25"	24"	36" *	66"	24"	81	\$504
FIENCWS.24367224L	1.25"	24"	36" *	72"	24"	87	\$512
FIENCWS.24367224R	1.25"	24"	36" *	72"	24"	87	\$512
FIENCWS.24367824L	1.25"	24"	36" *	78"	24"	93	\$614
FIENCWS.24367824R	1.25"	24"	36" *	78"	24"	93	\$614
FIENCWS.24368424L	1.25"	24"	36" *	84"	24"	99	\$621
FIENCWS.24368424R	1.25"	24"	36" *	84"	24"	99	\$621

NOTES

* Corners are angled (not available with notched front edge)

**30"D CONNECTING SIDE
30"D EXTENSION
36"D**

PART #	HEIGHT	A	B	C	D	WT. (LBS)	PRICE
FIENCWS.30366030L	1.25"	30"	36"*	60"	30"	88	\$494
FIENCWS.30366030R	1.25"	30"	36"*	60"	30"	88	\$494
FIENCWS.30366630L	1.25"	30"	36"*	66"	30"	95	\$546
FIENCWS.30366630R	1.25"	30"	36"*	66"	30"	95	\$546
FIENCWS.30367230L	1.25"	30"	36"*	72"	30"	102	\$554
FIENCWS.30367230R	1.25"	30"	36"*	72"	30"	102	\$554
FIENCWS.30367830L	1.25"	30"	36"*	78"	30"	110	\$656
FIENCWS.30367830R	1.25"	30"	36"*	78"	30"	110	\$656
FIENCWS.30368430L	1.25"	30"	36"*	84"	30"	117	\$662
FIENCWS.30368430R	1.25"	30"	36"*	84"	30"	117	\$662

NOTES
* Corners are angled (not available with notched front edge)

**24"D CONNECTING SIDE
24"D EXTENSION
42"D**

PART #	HEIGHT	A	B	C	D	WT. (LBS)	PRICE
FIENCWS.24426024L	1.25"	24"	42"	60"	24"	84	\$544
FIENCWS.24426024R	1.25"	24"	42"	60"	24"	84	\$544
FIENCWS.24426624L	1.25"	24"	42"	66"	24"	91	\$612
FIENCWS.24426624R	1.25"	24"	42"	66"	24"	91	\$612
FIENCWS.24427224L	1.25"	24"	42"	72"	24"	97	\$621
FIENCWS.24427224R	1.25"	24"	42"	72"	24"	97	\$621
FIENCWS.24427824L	1.25"	24"	42"	78"	24"	103	\$753
FIENCWS.24427824R	1.25"	24"	42"	78"	24"	103	\$753
FIENCWS.24428424L	1.25"	24"	42"	84"	24"	109	\$762
FIENCWS.24428424R	1.25"	24"	42"	84"	24"	109	\$762

**30"D CONNECTING SIDE
30"D EXTENSION
42"D**

PART #	HEIGHT	A	B	C	D	WT. (LBS)	PRICE
FIENCWS.30426030L	1.25"	30"	42"*	60"	30"	98	\$586
FIENCWS.30426030R	1.25"	30"	42"*	60"	30"	98	\$586
FIENCWS.30426630L	1.25"	30"	42"*	66"	30"	106	\$654
FIENCWS.30426630R	1.25"	30"	42"*	66"	30"	106	\$654
FIENCWS.30427230L	1.25"	30"	42"*	72"	30"	112	\$663
FIENCWS.30427230R	1.25"	30"	42"*	72"	30"	112	\$663
FIENCWS.30427830L	1.25"	30"	42"*	78"	30"	122	\$795
FIENCWS.30427830R	1.25"	30"	42"*	78"	30"	122	\$795
FIENCWS.30428430L	1.25"	30"	42"*	84"	30"	127	\$804
FIENCWS.30428430R	1.25"	30"	42"*	84"	30"	127	\$804

NOTES
* Corners are angled (not available with notched front edge)

90° Extended Notched Corner | Worksurface (cont'd)

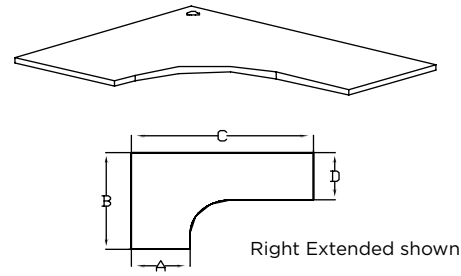
**24"D CONNECTING SIDE
24"D EXTENSION
48"D**

PART #	HEIGHT	A	B	C	D	WT. (LBS)	PRICE
FIENCWS.24486024L	1.25"	24"	48"	60"	24"	93	\$552
FIENCWS.24486024R	1.25"	24"	48"	60"	24"	93	\$552
FIENCWS.24486624L	1.25"	24"	48"	66"	24"	99	\$621
FIENCWS.24486624R	1.25"	24"	48"	66"	24"	99	\$621
FIENCWS.24487224L	1.25"	24"	48"	72"	24"	104	\$635
FIENCWS.24487224R	1.25"	24"	48"	72"	24"	104	\$635
FIENCWS.24487824L	1.25"	24"	48"	78"	24"	110	\$774
FIENCWS.24487824R	1.25"	24"	48"	78"	24"	110	\$774
FIENCWS.24488424L	1.25"	24"	48"	84"	24"	116	\$778
FIENCWS.24488424R	1.25"	24"	48"	84"	24"	116	\$778

**30"D CONNECTING SIDE
30"D EXTENSION
48"D**

PART #	HEIGHT	A	B	C	D	WT. (LBS)	PRICE
FIENCWS.30486030L	1.25"	30"	48"	60"	30"	108	\$595
FIENCWS.30486030R	1.25"	30"	48"	60"	30"	108	\$595
FIENCWS.30486630L	1.25"	30"	48"	66"	30"	116	\$663
FIENCWS.30486630R	1.25"	30"	48"	66"	30"	116	\$663
FIENCWS.30487230L	1.25"	30"	48"	72"	30"	123	\$678
FIENCWS.30487230R	1.25"	30"	48"	72"	30"	123	\$678
FIENCWS.30487830L	1.25"	30"	48"	78"	30"	134	\$816
FIENCWS.30487830R	1.25"	30"	48"	78"	30"	134	\$816
FIENCWS.30488430L	1.25"	30"	48"	84"	30"	146	\$820
FIENCWS.30488430R	1.25"	30"	48"	84"	30"	146	\$820

90° Extended Curved Corner | Worksurface



DESCRIPTION

Worksurface hangs from a frame or Wall Strips. It has a laminate top and a PVC edge. 54" to 84" worksurfaces have center support.

NOTES

- Includes two grommets, cantilever brackets, one corner bracket, and attachment hardware.
- Specify L for left extended, and R for right extended.
- Worksurfaces have one grommet 4" from the corner of the worksurface and one grommet 18" from the extended end of the worksurface.

When ordering a worksurface spanning a panel and a 3-Way or Spacer Connector, or two panels with a 3-Way or Spacer Connector in between the panels, you will need to:

- add 2 9/16" to the length of the worksurface
- add "-3W" to the part number
- add \$80 to the list price

Example:

Two 30" Frames with one 3-Way Connector equals to 62 9/16". In this case, order FIECCWS.24366024L-3W (\$442 + \$80 = \$522)

SPECIFICATION OPTIONS

product #: see charts below
edge finish: 3MM PVC, see page 12
worksurface finish: see page 12
left or right extended: L for Left, R for Right

ORDER EXAMPLE

product #: FIECCWS.24366024L
edge finish: LM
worksurface finish: Light Maple
left or right extended: L

24"D CONNECTING SIDE
24"D EXTENSION
36"D

PART #	HEIGHT	A	B	C	D	WT. (LBS)	PRICE
FIECCWS.24366024L	1.25"	24"	36"	60"	24"	76	\$452
FIECCWS.24366024R	1.25"	24"	36"	60"	24"	76	\$452
FIECCWS.24366624L	1.25"	24"	36"	66"	24"	82	\$504
FIECCWS.24366624R	1.25"	24"	36"	66"	24"	82	\$504
FIECCWS.24367224L	1.25"	24"	36"	72"	24"	88	\$512
FIECCWS.24367224R	1.25"	24"	36"	72"	24"	88	\$512
FIECCWS.24367824L	1.25"	24"	36"	78"	24"	94	\$614
FIECCWS.24367824R	1.25"	24"	36"	78"	24"	94	\$614
FIECCWS.24368424L	1.25"	24"	36"	84"	24"	100	\$620
FIECCWS.24368424R	1.25"	24"	36"	84"	24"	100	\$620

90° Extended Curved Corner | Worksurface (cont'd)

30"D CONNECTING SIDE
30"D EXTENSION
36"D

PART #	HEIGHT	A	B	C	D	WT. (LBS)	PRICE
FIECCWS.30366030L	1.25"	30"	36"	60"	30"	87	\$494
FIECCWS.30366030R	1.25"	30"	36"	60"	30"	87	\$494
FIECCWS.30366630L	1.25"	30"	36"	66"	30"	95	\$546
FIECCWS.30366630R	1.25"	30"	36"	66"	30"	95	\$546
FIECCWS.30367230L	1.25"	30"	36"	72"	30"	102	\$554
FIECCWS.30367230R	1.25"	30"	36"	72"	30"	102	\$554
FIECCWS.30367830L	1.25"	30"	36"	78"	30"	110	\$656
FIECCWS.30367830R	1.25"	30"	36"	78"	30"	110	\$656
FIECCWS.30368430L	1.25"	30"	36"	84"	30"	117	\$662
FIECCWS.30368430R	1.25"	30"	36"	84"	30"	117	\$662

24"D CONNECTING SIDE
24"D EXTENSION
42"D

PART #	HEIGHT	A	B	C	D	WT. (LBS)	PRICE
FIECCWS.24426024L	1.25"	24"	42"	60"	24"	83	\$544
FIECCWS.24426024R	1.25"	24"	42"	60"	24"	83	\$544
FIECCWS.24426624L	1.25"	24"	42"	66"	24"	89	\$612
FIECCWS.24426624R	1.25"	24"	42"	66"	24"	89	\$612
FIECCWS.24427224L	1.25"	24"	42"	72"	24"	95	\$621
FIECCWS.24427224R	1.25"	24"	42"	72"	24"	95	\$621
FIECCWS.24427824L	1.25"	24"	42"	78"	24"	101	\$753
FIECCWS.24427824R	1.25"	24"	42"	78"	24"	101	\$753
FIECCWS.24428424L	1.25"	24"	42"	84"	24"	106	\$762
FIECCWS.24428424R	1.25"	24"	42"	84"	24"	106	\$762

30"D CONNECTING SIDE
30"D EXTENSION
42"D

PART #	HEIGHT	A	B	C	D	WT. (LBS)	PRICE
FIECCWS.30426030L	1.25"	30"	42"	60"	30"	95	\$586
FIECCWS.30426030R	1.25"	30"	42"	60"	30"	95	\$586
FIECCWS.30426630L	1.25"	30"	42"	66"	30"	103	\$654
FIECCWS.30426630R	1.25"	30"	42"	66"	30"	103	\$654
FIECCWS.30427230L	1.25"	30"	42"	72"	30"	110	\$663
FIECCWS.30427230R	1.25"	30"	42"	72"	30"	110	\$663
FIECCWS.30427830L	1.25"	30"	42"	78"	30"	118	\$795
FIECCWS.30427830R	1.25"	30"	42"	78"	30"	118	\$795
FIECCWS.30428430L	1.25"	30"	42"	84"	30"	125	\$804
FIECCWS.30428430R	1.25"	30"	42"	84"	30"	125	\$804

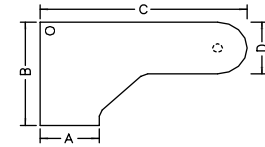
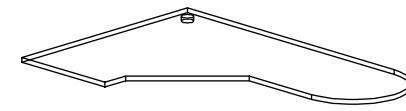
**24"D CONNECTING SIDE
24"D EXTENSION
48"D**

PART #	HEIGHT	A	B	C	D	WT. (LBS)	PRICE
FIECCWS.24486024L	1.25"	24"	48"	60"	24"	89	\$552
FIECCWS.24486024R	1.25"	24"	48"	60"	24"	89	\$552
FIECCWS.24486624L	1.25"	24"	48"	66"	24"	95	\$621
FIECCWS.24486624R	1.25"	24"	48"	66"	24"	95	\$621
FIECCWS.24487224L	1.25"	24"	48"	72"	24"	101	\$635
FIECCWS.24487224R	1.25"	24"	48"	72"	24"	101	\$635
FIECCWS.24487824L	1.25"	24"	48"	78"	24"	107	\$774
FIECCWS.24487824R	1.25"	24"	48"	78"	24"	107	\$774
FIECCWS.24488424L	1.25"	24"	48"	84"	24"	112	\$778
FIECCWS.24488424R	1.25"	24"	48"	84"	24"	112	\$778

**30"D CONNECTING SIDE
30"D EXTENSION
48"D**

PART #	HEIGHT	A	B	C	D	WT. (LBS)	PRICE
FIECCWS.30486030L	1.25"	30"	48"	60"	30"	104	\$595
FIECCWS.30486030R	1.25"	30"	48"	60"	30"	104	\$595
FIECCWS.30486630L	1.25"	30"	48"	66"	30"	112	\$663
FIECCWS.30486630R	1.25"	30"	48"	66"	30"	112	\$663
FIECCWS.30487230L	1.25"	30"	48"	72"	30"	119	\$678
FIECCWS.30487230R	1.25"	30"	48"	72"	30"	119	\$678
FIECCWS.30487830L	1.25"	30"	48"	78"	30"	126	\$816
FIECCWS.30487830R	1.25"	30"	48"	78"	30"	126	\$816
FIECCWS.30488430L	1.25"	30"	48"	84"	30"	133	\$820
FIECCWS.30488430R	1.25"	30"	48"	84"	30"	133	\$820

90° Extended Notched Corner Peninsula | Worksurface



Right Extended shown

DESCRIPTION

Worksurface hangs from a frame or Wall Strips. It has a laminate top and a PVC edge.

NOTES

- Includes one grommet, cantilever brackets, one corner bracket, column leg and attachment hardware.
- Worksurfaces have one grommet 4" from the corner of the worksurface.
- Specify L for left extended and R for right extended.
- Column leg finish: Black or CW

SPECIFICATION OPTIONS

product #: see charts below
edge finish: 3MM PVC, see page 12
worksurface finish: see page 12
left or right extended: L for Left, R for Right
support finish: BU, CW

ORDER EXAMPLE

product #: FIENCPWS.24366024L
edge finish: LM
worksurface finish: Light Maple
left or right extended: L
support finish: CW

**24"D CONNECTING SIDE
24"D EXTENSION
36"D**

PART #	HEIGHT	A	B	C	D	WT. (LBS)	PRICE
FIENCPWS.24366024L	1.25"	24"	36*	60"	24"	89	\$620
FIENCPWS.24366024R	1.25"	24"	36*	60"	24"	89	\$620
FIENCPWS.24366624L	1.25"	24"	36*	66"	24"	95	\$681
FIENCPWS.24366624R	1.25"	24"	36*	66"	24"	95	\$681
FIENCPWS.24367224L	1.25"	24"	36*	72"	24"	101	\$695
FIENCPWS.24367224R	1.25"	24"	36*	72"	24"	101	\$695
FIENCPWS.24367824L	1.25"	24"	36*	78"	24"	107	\$807
FIENCPWS.24367824R	1.25"	24"	36*	78"	24"	107	\$807
FIENCPWS.24368424L	1.25"	24"	36*	84"	24"	112	\$823
FIENCPWS.24368424R	1.25"	24"	36*	84"	24"	112	\$823

NOTES

*Corners are angled (not available with notched front edge)

**24"D CONNECTING SIDE
24"D EXTENSION
42"D**

PART #	HEIGHT	A	B	C	D	WT. (LBS)	PRICE
FIENCPWS.24426024L	1.25"	24"	42"	60"	24"	97	\$704
FIENCPWS.24426024R	1.25"	24"	42"	60"	24"	97	\$704
FIENCPWS.24426624L	1.25"	24"	42"	66"	24"	103	\$781
FIENCPWS.24426624R	1.25"	24"	42"	66"	24"	103	\$781
FIENCPWS.24427224L	1.25"	24"	42"	72"	24"	109	\$795
FIENCPWS.24427224R	1.25"	24"	42"	72"	24"	109	\$795
FIENCPWS.24427824L	1.25"	24"	42"	78"	24"	114	\$966
FIENCPWS.24427824R	1.25"	24"	42"	78"	24"	114	\$966
FIENCPWS.24428424L	1.25"	24"	42"	84"	24"	120	\$970
FIENCPWS.24428424R	1.25"	24"	42"	84"	24"	120	\$970

**24"D CONNECTING SIDE
24"D EXTENSION
48"D**

PART #	HEIGHT	A	B	C	D	WT. (LBS)	PRICE
FIENCPWS.24486024L	1.25"	24"	48"	60"	24"	104	\$708
FIENCPWS.24486024R	1.25"	24"	48"	60"	24"	104	\$708
FIENCPWS.24486624L	1.25"	24"	48"	66"	24"	110	\$785
FIENCPWS.24486624R	1.25"	24"	48"	66"	24"	110	\$785
FIENCPWS.24487224L	1.25"	24"	48"	72"	24"	116	\$799
FIENCPWS.24487224R	1.25"	24"	48"	72"	24"	116	\$799
FIENCPWS.24487824L	1.25"	24"	48"	78"	24"	121	\$970
FIENCPWS.24487824R	1.25"	24"	48"	78"	24"	121	\$970
FIENCPWS.24488424L	1.25"	24"	48"	84"	24"	127	\$974
FIENCPWS.24488424R	1.25"	24"	48"	84"	24"	127	\$974

**24"D CONNECTING SIDE
30"D EXTENSION
36"D**

PART #	HEIGHT	A	B	C	D	WT. (LBS)	PRICE
FIENCPWS.24366030L	1.25"	24"	36"	60"	30"	94	\$620
FIENCPWS.24366030R	1.25"	24"	36"	60"	30"	94	\$620
FIENCPWS.24366630L	1.25"	24"	36"	66"	30"	102	\$681
FIENCPWS.24366630R	1.25"	24"	36"	66"	30"	102	\$681
FIENCPWS.24367230L	1.25"	24"	36"	72"	30"	109	\$695
FIENCPWS.24367230R	1.25"	24"	36"	72"	30"	109	\$695
FIENCPWS.24367830L	1.25"	24"	36"	78"	30"	116	\$807
FIENCPWS.24367830R	1.25"	24"	36"	78"	30"	116	\$807
FIENCPWS.24368430L	1.25"	24"	36"	84"	30"	123	\$823
FIENCPWS.24368430R	1.25"	24"	36"	84"	30"	123	\$823

**24"D CONNECTING SIDE
30"D EXTENSION
42"D**

PART #	HEIGHT	A	B	C	D	WT. (LBS)	PRICE
FIENCPWS.24426030L	1.25"	24"	42"	60"	30"	102	\$704
FIENCPWS.24426030R	1.25"	24"	42"	60"	30"	102	\$704
FIENCPWS.24426630L	1.25"	24"	42"	66"	30"	110	\$781
FIENCPWS.24426630R	1.25"	24"	42"	66"	30"	110	\$781
FIENCPWS.24427230L	1.25"	24"	42"	72"	30"	117	\$795
FIENCPWS.24427230R	1.25"	24"	42"	72"	30"	117	\$795
FIENCPWS.24427830L	1.25"	24"	42"	78"	30"	124	\$966
FIENCPWS.24427830R	1.25"	24"	42"	78"	30"	124	\$966
FIENCPWS.24428430L	1.25"	24"	42"	84"	30"	131	\$970
FIENCPWS.24428430R	1.25"	24"	42"	84"	30"	131	\$970

90° Extended Notched Corner | Peninsula Worksurface (cont'd)

**24"D CONNECTING SIDE
30"D EXTENSION
48"D**

PART #	HEIGHT	A	B	C	D	WT. (LBS)	PRICE
FIENCPWS.24486030L	1.25"	24"	48"	60"	30"	111	\$708
FIENCPWS.24486030R	1.25"	24"	48"	60"	30"	111	\$708
FIENCPWS.24486630L	1.25"	24"	48"	66"	30"	119	\$785
FIENCPWS.24486630R	1.25"	24"	48"	66"	30"	119	\$785
FIENCPWS.24487230L	1.25"	24"	48"	72"	30"	126	\$799
FIENCPWS.24487230R	1.25"	24"	48"	72"	30"	126	\$799
FIENCPWS.24487830L	1.25"	24"	48"	78"	30"	133	\$970
FIENCPWS.24487830R	1.25"	24"	48"	78"	30"	133	\$970
FIENCPWS.24488430L	1.25"	24"	48"	84"	30"	140	\$974
FIENCPWS.24488430R	1.25"	24"	48"	84"	30"	140	\$974

**30"D CONNECTING SIDE
30"D EXTENSION
36"D**

PART #	HEIGHT	A	B	C	D	WT. (LBS)	PRICE
FIENCPWS.30366030L	1.25"	30"	36" *	60"	30"	95	\$662
FIENCPWS.30366030R	1.25"	30"	36" *	60"	30"	95	\$662
FIENCPWS.30366630L	1.25"	30"	36" *	66"	30"	103	\$723
FIENCPWS.30366630R	1.25"	30"	36" *	66"	30"	103	\$723
FIENCPWS.30367230L	1.25"	30"	36" *	72"	30"	110	\$738
FIENCPWS.30367230R	1.25"	30"	36" *	72"	30"	110	\$738
FIENCPWS.30367830L	1.25"	30"	36" *	78"	30"	118	\$849
FIENCPWS.30367830R	1.25"	30"	36" *	78"	30"	118	\$849
FIENCPWS.30368430L	1.25"	30"	36" *	84"	30"	125	\$866
FIENCPWS.30368430R	1.25"	30"	36" *	84"	30"	125	\$866

NOTES
* Corners are angled (not available with notched front edge)

**30"D CONNECTING SIDE
30"D EXTENSION
42"D**

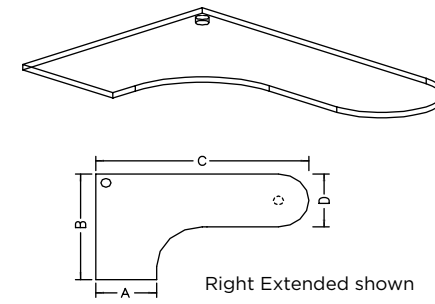
PART #	HEIGHT	A	B	C	D	WT. (LBS)	PRICE
FIENCPWS.30426030L	1.25"	30"	42" *	60"	30"	106	\$747
FIENCPWS.30426030R	1.25"	30"	42" *	60"	30"	106	\$747
FIENCPWS.30426630L	1.25"	30"	42" *	66"	30"	114	\$824
FIENCPWS.30426630R	1.25"	30"	42" *	66"	30"	114	\$824
FIENCPWS.30427230L	1.25"	30"	42" *	72"	30"	121	\$838
FIENCPWS.30427230R	1.25"	30"	42" *	72"	30"	121	\$838
FIENCPWS.30427830L	1.25"	30"	42" *	78"	30"	128	\$981
FIENCPWS.30427830R	1.25"	30"	42" *	78"	30"	128	\$981
FIENCPWS.30428430L	1.25"	30"	42" *	84"	30"	135	\$998
FIENCPWS.30428430R	1.25"	30"	42" *	84"	30"	135	\$998

NOTES
* Corners are angled (not available with notched front edge)

**30"D CONNECTING SIDE
30"D EXTENSION
48"D**

PART #	HEIGHT	A	B	C	D	WT. (LBS)	PRICE
FIENCPWS.30486030L	1.25"	30"	48"	60"	30"	116	\$751
FIENCPWS.30486030R	1.25"	30"	48"	60"	30"	116	\$751
FIENCPWS.30486630L	1.25"	30"	48"	66"	30"	124	\$828
FIENCPWS.30486630R	1.25"	30"	48"	66"	30"	124	\$828
FIENCPWS.30487230L	1.25"	30"	48"	72"	30"	131	\$842
FIENCPWS.30487230R	1.25"	30"	48"	72"	30"	131	\$842
FIENCPWS.30487830L	1.25"	30"	48"	78"	30"	138	\$985
FIENCPWS.30487830R	1.25"	30"	48"	78"	30"	138	\$985
FIENCPWS.30488430L	1.25"	30"	48"	84"	30"	144	\$1,002
FIENCPWS.30488430R	1.25"	30"	48"	84"	30"	144	\$1,002

Extended Curved Corner Peninsula | Worksurface



DESCRIPTION

Worksurface hangs from a frame or Wall Strips. It has a laminate top and a PVC edge.

NOTES

- Includes one grommet, cantilever brackets, one corner bracket, column leg and attachment hardware.
- Worksurfaces have one grommet 4" from the corner of the worksurface.
- Specify L for left extended and R for right extended.
- Column leg finish: Black or CW

SPECIFICATION OPTIONS

product #: see charts below
edge finish: 3MM PVC, see page 12
worksurface finish: see page 12
left or right extended: L for Left, R for Right
support finish: BU, CW

ORDER EXAMPLE

product #: FIECCPWS.24366024L
edge finish: LM
worksurface finish: Light Maple
left or right extended: L
support finish: CW

**24"D CONNECTING SIDE
24"D EXTENSION
36"D**

PART #	HEIGHT	A	B	C	D	WT. (LBS)	PRICE
FIECCPWS.24366024L	1.25"	24"	36"	60"	24"	87	\$620
FIECCPWS.24366024R	1.25"	24"	36"	60"	24"	87	\$620
FIECCPWS.24366624L	1.25"	24"	36"	66"	24"	93	\$681
FIECCPWS.24366624R	1.25"	24"	36"	66"	24"	93	\$681
FIECCPWS.24367224L	1.25"	24"	36"	72"	24"	99	\$695
FIECCPWS.24367224R	1.25"	24"	36"	72"	24"	99	\$695
FIECCPWS.24367824L	1.25"	24"	36"	78"	24"	105	\$807
FIECCPWS.24367824R	1.25"	24"	36"	78"	24"	105	\$807
FIECCPWS.24368424L	1.25"	24"	36"	84"	24"	110	\$823
FIECCPWS.24368424R	1.25"	24"	36"	84"	24"	110	\$823

**24"D CONNECTING SIDE
24"D EXTENSION
42"D**

PART #	HEIGHT	A	B	C	D	WT. (LBS)	PRICE
FIECCPWS.24426024L	1.25"	24"	42"	60"	24"	94	\$704
FIECCPWS.24426024R	1.25"	24"	42"	60"	24"	94	\$704
FIECCPWS.24426624L	1.25"	24"	42"	66"	24"	100	\$781
FIECCPWS.24426624R	1.25"	24"	42"	66"	24"	100	\$781
FIECCPWS.24427224L	1.25"	24"	42"	72"	24"	106	\$795
FIECCPWS.24427224R	1.25"	24"	42"	72"	24"	106	\$795
FIECCPWS.24427824L	1.25"	24"	42"	78"	24"	111	\$966
FIECCPWS.24427824R	1.25"	24"	42"	78"	24"	111	\$966
FIECCPWS.24428424L	1.25"	24"	42"	84"	24"	116	\$970
FIECCPWS.24428424R	1.25"	24"	42"	84"	24"	116	\$970

**24"D CONNECTING SIDE
24"D EXTENSION
48"D**

PART #	HEIGHT	A	B	C	D	WT. (LBS)	PRICE
FIECCPWS.24486024L	1.25"	24"	48"	60"	24"	101	\$708
FIECCPWS.24486024R	1.25"	24"	48"	60"	24"	101	\$708
FIECCPWS.24486624L	1.25"	24"	48"	66"	24"	107	\$785
FIECCPWS.24486624R	1.25"	24"	48"	66"	24"	107	\$785
FIECCPWS.24487224L	1.25"	24"	48"	72"	24"	112	\$799
FIECCPWS.24487224R	1.25"	24"	48"	72"	24"	112	\$799
FIECCPWS.24487824L	1.25"	24"	48"	78"	24"	118	\$970
FIECCPWS.24487824R	1.25"	24"	48"	78"	24"	118	\$970
FIECCPWS.24488424L	1.25"	24"	48"	84"	24"	124	\$974
FIECCPWS.24488424R	1.25"	24"	48"	84"	24"	124	\$974

**24"D CONNECTING SIDE
30"D EXTENSION
36"D**

PART #	HEIGHT	A	B	C	D	WT. (LBS)	PRICE
FIECCPWS.24366030L	1.25"	24"	36"	60"	30"	94	\$620
FIECCPWS.24366030R	1.25"	24"	36"	60"	30"	94	\$620
FIECCPWS.24366630L	1.25"	24"	36"	66"	30"	101	\$681
FIECCPWS.24366630R	1.25"	24"	36"	66"	30"	101	\$681
FIECCPWS.24367230L	1.25"	24"	36"	72"	30"	108	\$695
FIECCPWS.24367230R	1.25"	24"	36"	72"	30"	108	\$695
FIECCPWS.24367830L	1.25"	24"	36"	78"	30"	115	\$807
FIECCPWS.24367830R	1.25"	24"	36"	78"	30"	115	\$807
FIECCPWS.24368430L	1.25"	24"	36"	84"	30"	123	\$823
FIECCPWS.24368430R	1.25"	24"	36"	84"	30"	123	\$823

**24"D CONNECTING SIDE
30"D EXTENSION
42"D**

PART #	HEIGHT	A	B	C	D	WT. (LBS)	PRICE
FIECCPWS.24426030L	1.25"	24"	42"	60"	30"	100	\$704
FIECCPWS.24426030R	1.25"	24"	42"	60"	30"	100	\$704
FIECCPWS.24426630L	1.25"	24"	42"	66"	30"	107	\$781
FIECCPWS.24426630R	1.25"	24"	42"	66"	30"	107	\$781
FIECCPWS.24427230L	1.25"	24"	42"	72"	30"	113	\$795
FIECCPWS.24427230R	1.25"	24"	42"	72"	30"	113	\$795
FIECCPWS.24427830L	1.25"	24"	42"	78"	30"	120	\$966
FIECCPWS.24427830R	1.25"	24"	42"	78"	30"	120	\$966
FIECCPWS.24428430L	1.25"	24"	42"	84"	30"	126	\$970
FIECCPWS.24428430R	1.25"	24"	42"	84"	30"	126	\$970

Extended Curved Corner Peninsula | Worksurface (cont'd)

**24"D CONNECTING SIDE
30"D EXTENSION
48"D**

PART #	HEIGHT	A	B	C	D	WT. (LBS)	PRICE
FIECCPWS.24486030L	1.25"	24"	48"	60"	30"	107	\$708
FIECCPWS.24486030R	1.25"	24"	48"	60"	30"	107	\$708
FIECCPWS.24486630L	1.25"	24"	48"	66"	30"	113	\$785
FIECCPWS.24486630R	1.25"	24"	48"	66"	30"	113	\$785
FIECCPWS.24487230L	1.25"	24"	48"	72"	30"	118	\$799
FIECCPWS.24487230R	1.25"	24"	48"	72"	30"	118	\$799
FIECCPWS.24487830L	1.25"	24"	48"	78"	30"	124	\$970
FIECCPWS.24487830R	1.25"	24"	48"	78"	30"	124	\$970
FIECCPWS.24488430L	1.25"	24"	48"	84"	30"	129	\$974
FIECCPWS.24488430R	1.25"	24"	48"	84"	30"	129	\$974

**30"D CONNECTING SIDE
30"D EXTENSION
36"D**

PART #	HEIGHT	A	B	C	D	WT. (LBS)	PRICE
FIECCPWS.30366030L	1.25"	30"	36"	60"	30"	95	\$662
FIECCPWS.30366030R	1.25"	30"	36"	60"	30"	95	\$662
FIECCPWS.30366630L	1.25"	30"	36"	66"	30"	103	\$723
FIECCPWS.30366630R	1.25"	30"	36"	66"	30"	103	\$723
FIECCPWS.30367230L	1.25"	30"	36"	72"	30"	110	\$738
FIECCPWS.30367230R	1.25"	30"	36"	72"	30"	110	\$738
FIECCPWS.30367830L	1.25"	30"	36"	78"	30"	117	\$849
FIECCPWS.30367830R	1.25"	30"	36"	78"	30"	117	\$849
FIECCPWS.30368430L	1.25"	30"	36"	84"	30"	124	\$866
FIECCPWS.30368430R	1.25"	30"	36"	84"	30"	124	\$866

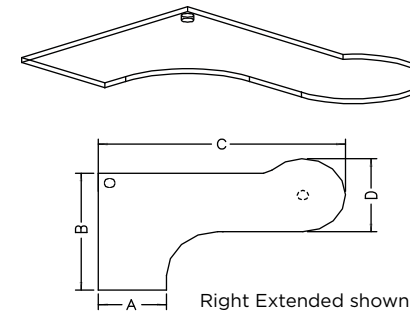
**30"D CONNECTING SIDE
30"D EXTENSION
42"D**

PART #	HEIGHT	A	B	C	D	WT. (LBS)	PRICE
FIECCPWS.30426030L	1.25"	30"	42"	60"	30"	101	\$747
FIECCPWS.30426030R	1.25"	30"	42"	60"	30"	101	\$747
FIECCPWS.30426630L	1.25"	30"	42"	66"	30"	108	\$824
FIECCPWS.30426630R	1.25"	30"	42"	66"	30"	108	\$824
FIECCPWS.30427230L	1.25"	30"	42"	72"	30"	114	\$838
FIECCPWS.30427230R	1.25"	30"	42"	72"	30"	114	\$838
FIECCPWS.30427830L	1.25"	30"	42"	78"	30"	120	\$981
FIECCPWS.30427830R	1.25"	30"	42"	78"	30"	120	\$981
FIECCPWS.30428430L	1.25"	30"	42"	84"	30"	127	\$998
FIECCPWS.30428430R	1.25"	30"	42"	84"	30"	127	\$998

**30"D CONNECTING SIDE
30"D EXTENSION
48"D**

PART #	HEIGHT	A	B	C	D	WT. (LBS)	PRICE
FIECCPWS.30486030L	1.25"	30"	48"	60"	30"	107	\$751
FIECCPWS.30486030R	1.25"	30"	48"	60"	30"	107	\$751
FIECCPWS.30486630L	1.25"	30"	48"	66"	30"	113	\$828
FIECCPWS.30486630R	1.25"	30"	48"	66"	30"	113	\$828
FIECCPWS.30487230L	1.25"	30"	48"	72"	30"	118	\$842
FIECCPWS.30487230R	1.25"	30"	48"	72"	30"	118	\$842
FIECCPWS.30487830L	1.25"	30"	48"	78"	30"	124	\$985
FIECCPWS.30487830R	1.25"	30"	48"	78"	30"	124	\$985
FIECCPWS.30488430L	1.25"	30"	48"	84"	30"	129	\$1,002
FIECCPWS.30488430R	1.25"	30"	48"	84"	30"	129	\$1,002

Extended Curved Corner P-Shape Peninsula | Worksurface



DESCRIPTION

Worksurface hangs from a frame or Wall Strips. It has a laminate top and a PVC edge.

NOTES

- Includes one grommet, cantilever brackets, one corner bracket, column leg and attachment hardware.
- Worksurfaces have one grommet 4" from the corner of the worksurface.
- Specify L for left extended and R for right extended.
- Column leg finish: Black or CW

SPECIFICATION OPTIONS

product #: see charts below
edge finish: 3MM PVC, see page 12
worksurface finish: see page 12
left or right extended: L for Left, R for Right
support finish: BU, CW

ORDER EXAMPLE

product #: FIECCPPWS.24426024L
edge finish: LM
worksurface finish: Light Maple
left or right extended: L
support finish: CW

**24"D CONNECTING SIDES
42"D**

PART #	HEIGHT	A	B	C	D	WT. (LBS)	PRICE
FIECCPPWS.24426024L	1.25"	24"	42"	60"	36"	105	\$761
FIECCPPWS.24426024R	1.25"	24"	42"	60"	36"	105	\$761
FIECCPPWS.24426624L	1.25"	24"	42"	66"	36"	112	\$842
FIECCPPWS.24426624R	1.25"	24"	42"	66"	36"	112	\$842
FIECCPPWS.24427224L	1.25"	24"	42"	72"	36"	119	\$860
FIECCPPWS.24427224R	1.25"	24"	42"	72"	36"	119	\$860
FIECCPPWS.24427824L	1.25"	24"	42"	78"	36"	126	\$1,009
FIECCPPWS.24427824R	1.25"	24"	42"	78"	36"	126	\$1,009
FIECCPPWS.24428424L	1.25"	24"	42"	84"	36"	134	\$1,031
FIECCPPWS.24428424R	1.25"	24"	42"	84"	36"	134	\$1,031

**24"D CONNECTING SIDES
48"D**

PART #	HEIGHT	A	B	C	D	WT. (LBS)	PRICE
FIECCPPWS.24486024L	1.25"	24"	48"	60"	36"	113	\$845
FIECCPPWS.24486024R	1.25"	24"	48"	60"	36"	113	\$845
FIECCPPWS.24486624L	1.25"	24"	48"	66"	36"	120	\$942
FIECCPPWS.24486624R	1.25"	24"	48"	66"	36"	120	\$942
FIECCPPWS.24487224L	1.25"	24"	48"	72"	36"	127	\$960
FIECCPPWS.24487224R	1.25"	24"	48"	72"	36"	127	\$960
FIECCPPWS.24487824L	1.25"	24"	48"	78"	36"	134	\$1,141
FIECCPPWS.24487824R	1.25"	24"	48"	78"	36"	134	\$1,141
FIECCPPWS.24488424L	1.25"	24"	48"	84"	36"	141	\$1,164
FIECCPPWS.24488424R	1.25"	24"	48"	84"	36"	141	\$1,164

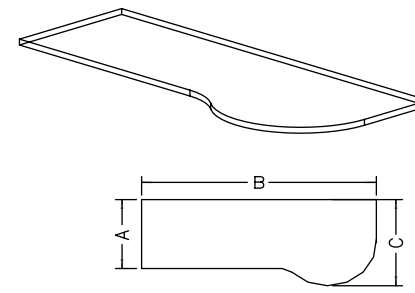
**30"D CONNECTING SIDES
42"D**

PART #	HEIGHT	A	B	C	D	WT. (LBS)	PRICE
FIECCPPWS.30426030L	1.25"	30"	42"	60"	36"	109	\$803
FIECCPPWS.30426030R	1.25"	30"	42"	60"	36"	109	\$803
FIECCPPWS.30426630L	1.25"	30"	42"	66"	36"	116	\$884
FIECCPPWS.30426630R	1.25"	30"	42"	66"	36"	116	\$884
FIECCPPWS.30427230L	1.25"	30"	42"	72"	36"	123	\$902
FIECCPPWS.30427230R	1.25"	30"	42"	72"	36"	123	\$902
FIECCPPWS.30427830L	1.25"	30"	42"	78"	36"	131	\$1,051
FIECCPPWS.30427830R	1.25"	30"	42"	78"	36"	131	\$1,051
FIECCPPWS.30428430L	1.25"	30"	42"	84"	36"	138	\$1,074
FIECCPPWS.30428430R	1.25"	30"	42"	84"	36"	138	\$1,074

**30"D CONNECTING SIDES
48"D**

PART #	HEIGHT	A	B	C	D	WT. (LBS)	PRICE
FIECCPPWS.30486030L	1.25"	30"	48"	60"	36"	116	\$887
FIECCPPWS.30486030R	1.25"	30"	48"	60"	36"	116	\$887
FIECCPPWS.30486630L	1.25"	30"	48"	66"	36"	123	\$984
FIECCPPWS.30486630R	1.25"	30"	48"	66"	36"	123	\$984
FIECCPPWS.30487230L	1.25"	30"	48"	72"	36"	132	\$1,003
FIECCPPWS.30487230R	1.25"	30"	48"	72"	36"	132	\$1,003
FIECCPPWS.30487830L	1.25"	30"	48"	78"	36"	139	\$1,183
FIECCPPWS.30487830R	1.25"	30"	48"	78"	36"	139	\$1,183
FIECCPPWS.30488430L	1.25"	30"	48"	84"	36"	146	\$1,206
FIECCPPWS.30488430R	1.25"	30"	48"	84"	36"	146	\$1,206

Ellipse End Peninsula | Worksurface



Right Extended shown

DESCRIPTION

Worksurface hangs from frames or Wall Strips. It has a laminate top and a PVC edge. 60" to 84" worksurfaces have a center support.

NOTES

- Includes cantilever brackets, attachment hardware, and grommet(s).
- Worksurfaces 24"-48"W include 1 grommet in center rear, and worksurfaces 54"-84"W include 2 grommets 18" from each end.

SPECIFICATION OPTIONS

product #: see charts below
edge finish: 3MM PVC, see page 12
worksurface finish: see page 12

ORDER EXAMPLE

product #: FIEEPWS.246030
edge finish: LM
worksurface finish: Light Maple

**24"D LEFT
30"D RIGHT**

PART #	HEIGHT	A	B	C	D	WT. (LBS)	PRICE
FIEEPWS.246030	1.25"	24"	60"	30"	—	52	\$490
FIEEPWS.246630	1.25"	24"	66"	30"	—	59	\$542
FIEEPWS.247230	1.25"	24"	72"	30"	—	66	\$555
FIEEPWS.247830	1.25"	24"	78"	30"	—	74	\$649
FIEEPWS.248430	1.25"	24"	84"	30"	—	81	\$664

**30"D LEFT
24"D RIGHT**

PART #	HEIGHT	A	B	C	D	WT. (LBS)	PRICE
FIEEPWS.306024	1.25"	30"	60"	24"	—	52	\$490
FIEEPWS.306624	1.25"	30"	66"	24"	—	59	\$542
FIEEPWS.307224	1.25"	30"	72"	24"	—	66	\$555
FIEEPWS.307824	1.25"	30"	78"	24"	—	74	\$649
FIEEPWS.308424	1.25"	30"	84"	24"	—	81	\$664

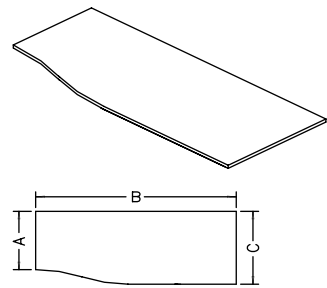
**30"D LEFT
36"D RIGHT**

PART #	HEIGHT	A	B	C	D	WT. (LBS)	PRICE
FIEEPWS.306036	1.25"	30"	60"	36"	—	57	\$572
FIEEPWS.306636	1.25"	30"	66"	36"	—	64	\$632
FIEEPWS.307236	1.25"	30"	72"	36"	—	71	\$645
FIEEPWS.307836	1.25"	30"	78"	36"	—	79	\$756
FIEEPWS.308436	1.25"	30"	84"	36"	—	86	\$771

**36"D LEFT
30"D RIGHT**

PART #	HEIGHT	A	B	C	D	WT. (LBS)	PRICE
FIEEPWS.366030	1.25"	36"	60"	30"	—	57	\$572
FIEEPWS.366630	1.25"	36"	66"	30"	—	64	\$632
FIEEPWS.367230	1.25"	36"	72"	30"	—	71	\$645
FIEEPWS.367830	1.25"	36"	78"	30"	—	79	\$756
FIEEPWS.368430	1.25"	36"	84"	30"	—	86	\$771

Regular Asymmetrical | Worksurface



Right Extended shown

DESCRIPTION

Worksurface hangs from frames or Wall Strips. It has a laminate top and a PVC edge.

NOTES

- 78" and 84" worksurfaces will accept a 42" or 36"W Lateral File
- 72"W worksurface will accept a 36"W Lateral File
- 66"W worksurface will accept a 30"W Lateral File
- Worksurfaces shorter than 48"W will not accept a pedestal
- Includes cantilever brackets, attachment hardware, and grommet(s).
- Worksurfaces 24"-48"W include 1 grommet in center rear, and worksurfaces 54"-84"W include 2 grommets 18" from each end.

SPECIFICATION OPTIONS

product #: see charts below
edge finish: 3MM PVC, see page 12
worksurface finish: see page 12

ORDER EXAMPLE

product #: FIRWWS.243030
edge finish: LM
worksurface finish: Light Maple

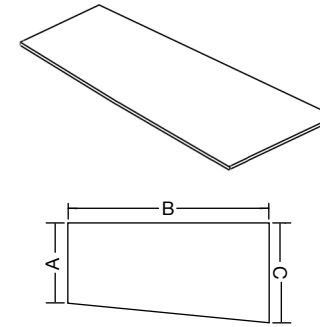
24"D LEFT
30"D RIGHT

PART #	HEIGHT	A	B	C	D	WT. (LBS)	PRICE
FIRWWS.243030	1.25"	24"	30"	30"	—	40	\$246
FIRWWS.243630	1.25"	24"	36"	30"	—	46	\$281
FIRWWS.244230	1.25"	24"	42"	30"	—	53	\$287
FIRWWS.244830	1.25"	24"	48"	30"	—	60	\$344
FIRWWS.245430	1.25"	24"	54"	30"	—	66	\$350
FIRWWS.246030	1.25"	24"	60"	30"	—	74	\$416
FIRWWS.246630	1.25"	24"	66"	30"	—	81	\$423
FIRWWS.247230	1.25"	24"	72"	30"	—	88	\$469
FIRWWS.247830	1.25"	24"	78"	30"	—	95	\$556
FIRWWS.248430	1.25"	24"	84"	30"	—	102	\$560

30"D LEFT
24"D RIGHT

PART #	HEIGHT	A	B	C	D	WT. (LBS)	PRICE
FIRWWS.303024	1.25"	30"	30"	24"	—	40	\$246
FIRWWS.303624	1.25"	30"	36"	24"	—	46	\$281
FIRWWS.304224	1.25"	30"	42"	24"	—	53	\$287
FIRWWS.304824	1.25"	30"	48"	24"	—	60	\$344
FIRWWS.305424	1.25"	30"	54"	24"	—	66	\$350
FIRWWS.306024	1.25"	30"	60"	24"	—	74	\$416
FIRWWS.306624	1.25"	30"	66"	24"	—	81	\$423
FIRWWS.307224	1.25"	30"	72"	24"	—	88	\$4469
FIRWWS.307824	1.25"	30"	78"	24"	—	95	\$556
FIRWWS.308424	1.25"	30"	84"	24"	—	102	\$560

Wedge | Worksurface



DESCRIPTION

Worksurface hangs from frames or Wall Strips. It has a laminate top and a PVC edge.

NOTES

- Includes cantilever brackets, attachment hardware, and grommet(s).
- Worksurfaces 24"-48"W include one grommet in center rear, and worksurfaces 54"-84"W include two grommets 18" from each end.

SPECIFICATION OPTIONS

product #: see charts below
edge finish: 3MM PVC, see page 12
worksurface finish: see page 12

ORDER EXAMPLE

product #: FIWDWS.243030
edge finish: LM
worksurface finish: Light Maple

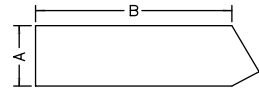
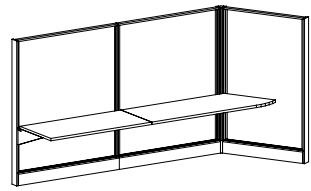
24"D LEFT
30"D RIGHT

PART #	HEIGHT	A	B	C	D	WT. (LBS)	PRICE
FIWDWS.243030	1.25"	24"	30"	30"	—	40	\$253
FIWDWS.243630	1.25"	24"	36"	30"	—	46	\$259
FIWDWS.244230	1.25"	24"	42"	30"	—	53	\$312
FIWDWS.244830	1.25"	24"	48"	30"	—	60	\$319
FIWDWS.245430	1.25"	24"	54"	30"	—	66	\$362
FIWDWS.246030	1.25"	24"	60"	30"	—	74	\$388
FIWDWS.246630	1.25"	24"	66"	30"	—	81	\$432
FIWDWS.247230	1.25"	24"	72"	30"	—	88	\$442
FIWDWS.247830	1.25"	24"	78"	30"	—	95	\$514
FIWDWS.248430	1.25"	24"	84"	30"	—	102	\$518

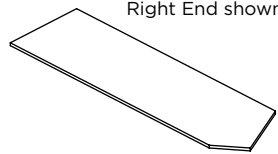
30"D LEFT
24"D RIGHT

PART #	HEIGHT	A	B	C	D	WT. (LBS)	PRICE
FIWDWS.303024	1.25"	30"	30"	24"	—	40	\$253
FIWDWS.303624	1.25"	30"	36"	24"	—	46	\$259
FIWDWS.304224	1.25"	30"	42"	24"	—	53	\$312
FIWDWS.304824	1.25"	30"	48"	24"	—	60	\$319
FIWDWS.305424	1.25"	30"	54"	24"	—	66	\$362
FIWDWS.306024	1.25"	30"	60"	24"	—	74	\$388
FIWDWS.306624	1.25"	30"	66"	24"	—	81	\$432
FIWDWS.307224	1.25"	30"	72"	24"	—	88	\$442
FIWDWS.307824	1.25"	30"	78"	24"	—	95	\$514
FIWDWS.308424	1.25"	30"	84"	24"	—	102	\$518

120° Rectangular | Worksurface



Right End shown



DESCRIPTION

Worksurface hangs from a frames and has a 120° End, either left or right. The end fits against the frame connected by a 120° Connector. It has a laminate top and a PVC edge. Worksurface is 24" deep.

NOTES

- Worksurfaces 24"-48"W include 1 grommet in center rear, and worksurfaces 54"-84"W include 2 grommets 18" from each end.
- Specify L for left end angle, and R for right end angle.
- Includes cantilever brackets, attachment hardware, and grommet(s).

SPECIFICATION OPTIONS

product #: see charts below
edge finish: 3MM PVC, see page 12
worksurface finish: see page 12
left or right end angle: L for Left, R for Right

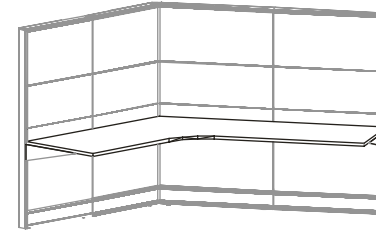
ORDER EXAMPLE

product #: FI120WS.2424L
edge finish: LM
worksurface finish: Light Maple
left or right end angle: L

120° RECTANGULAR

PART #	HEIGHT	A	B	C	D	WT. (LBS)	PRICE
FI120WS.2424L	1.25"	24"	24"	—	—	33	\$309
FI120WS.2424R	1.25"	24"	24"	—	—	33	\$309
FI120WS.2430L	1.25"	24"	30"	—	—	40	\$333
FI120WS.2430R	1.25"	24"	30"	—	—	40	\$333
FI120WS.2436L	1.25"	24"	36"	—	—	45	\$358
FI120WS.2436R	1.25"	24"	36"	—	—	45	\$358
FI120WS.2442L	1.25"	24"	42"	—	—	52	\$400
FI120WS.2442R	1.25"	24"	42"	—	—	52	\$400
FI120WS.2448L	1.25"	24"	48"	—	—	57	\$409
FI120WS.2448R	1.25"	24"	48"	—	—	57	\$409
FI120WS.2460L	1.25"	24"	60"	—	—	64	\$475
FI120WS.2460R	1.25"	24"	60"	—	—	64	\$475

120° Corner, 90° Ends | Worksurface



DESCRIPTION

Worksurface hangs from a frame or Wall Strips. It has a laminate top and a PVC edge. Worksurface is 24" deep.

NOTES

- Includes cantilever brackets, attachment hardware and grommet(s).
- Worksurfaces have one grommet 4" from the corner of the worksurface and one grommet 18" from the extended end of the worksurface.

SPECIFICATION OPTIONS

product #: see charts below
edge finish: 3MM PVC, see page 12
worksurface finish: see page 12

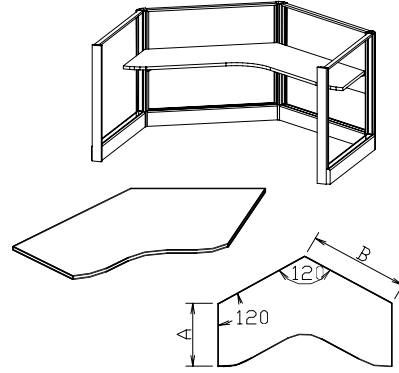
ORDER EXAMPLE

product #: FI12090WS.2424
edge finish: AW
worksurface finish: Light Maple

120° CORNER 90° ENDS

PART #	HEIGHT	A	B	C	D	WT. (LBS)	PRICE
FI12090WS.2424	1.25"	24"	24"	—	—	30	\$390
FI12090WS.2430	1.25"	24"	30"	—	—	41	\$440
FI12090WS.2436	1.25"	24"	36"	—	—	50	\$538
FI12090WS.2442	1.25"	24"	42"	—	—	62	\$644
FI12090WS.2448	1.25"	24"	48"	—	—	80	\$783

120° Corner, 120° Ends | Worksurface



DESCRIPTION

Worksurface hangs from a frame or Wall Strips. It has a laminate top and a PVC edge. Worksurface is 24" deep.

NOTES

- Includes cantilever brackets, attachment hardware and grommet(s).
- Worksurfaces have two grommets, each are 4" from the rear and centered along the length of the extended worksurface.

SPECIFICATION OPTIONS

product #: see charts below
top, edge finish: 3MM PVC, see page 12
support finish: CW Cloud White, BU Black Umber
worksurface finish: see page 12

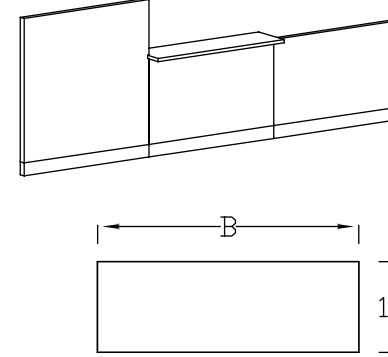
ORDER EXAMPLE

product #: FI120120WS.2436
top, edge finish: AW
support finish: CW
worksurface finish: Mahogany

120° CORNER
120° ENDS

PART #	HEIGHT	A	B	C	D	WT. (LBS)	PRICE
FI120120WS.2436	1.25"	24"	36"	—	—	50	\$544
FI120120WS.2442	1.25"	24"	42"	—	—	62	\$651
FI120120WS.2448	1.25"	24"	48"	—	—	80	\$791

Rectangular Transaction | Worksurface



DESCRIPTION

14"D Rectangular Transaction Worksurface attaches to the top of the frame, without top cap, and matches the width of the frame. It has a laminate top and a PVC edge. Attaches to the top of a panel for counter or display area.

NOTES

- Attachment hardware is included.
- Order without cutout or with cutout on one side.
- Cutout only to be used with Change of Height condition.

SPECIFICATION OPTIONS

product #: see charts below
edge finish: 3MM PVC, see page 12
worksurface finish: see page 12

ORDER EXAMPLE

product #: FIRTS.1424N
edge finish: LM
worksurface finish: Light Maple

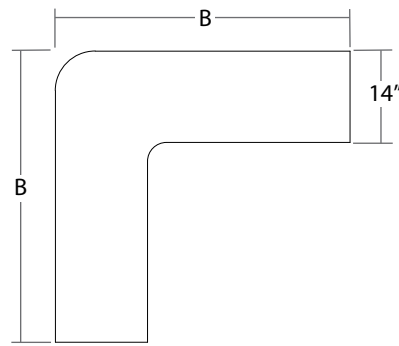
WITHOUT CUTOUT

PART #	HEIGHT	A	B	C	D	WT. (LBS)	PRICE
FIRTS.1424N	1.25"	14"	24"	—	—	17	\$133
FIRTS.1430N	1.25"	14"	30"	—	—	21	\$153
FIRTS.1436N	1.25"	14"	36"	—	—	24	\$166
FIRTS.1442N	1.25"	14"	42"	—	—	27	\$198
FIRTS.1448N	1.25"	14"	48"	—	—	31	\$202

WITH CUTOUT

PART #	HEIGHT	A	B	C	D	WT. (LBS)	PRICE
FIRTS.1424C	1.25"	14"	24"	—	—	17	\$133
FIRTS.1430C	1.25"	14"	30"	—	—	21	\$153
FIRTS.1436C	1.25"	14"	36"	—	—	24	\$166
FIRTS.1442C	1.25"	14"	42"	—	—	27	\$198
FIRTS.1448C	1.25"	14"	48"	—	—	31	\$202

Corner Transaction | Worksurface



DESCRIPTION

14"D Corner Transaction Worksurface attaches to the top of two panels, and matches the width of the frame. It has a laminate top and a PVC edge.

NOTES

- Attachment hardware is included.
- Panels connected at 90° angle for corner counter or display area.

SPECIFICATION OPTIONS

product #: see charts below
edge finish: 3MM PVC, see page 12
worksurface finish: see page 12

ORDER EXAMPLE

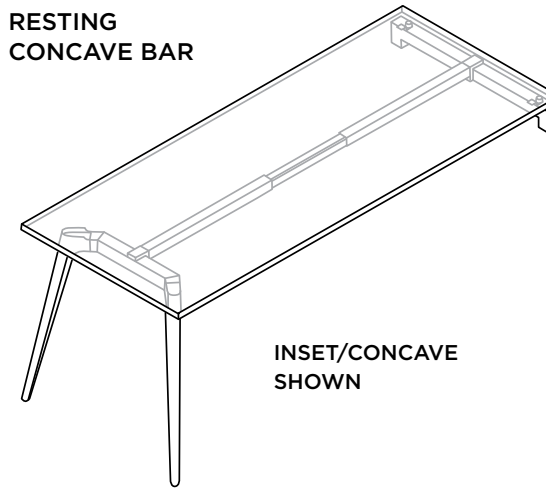
product #: FICTS.24
edge finish: LM
worksurface finish: Light Maple

CORNER TRANSACTION

PART #	HEIGHT	A	B	C	D	WT. (LBS)	PRICE
FICTS.24	1.25"	14"	32"	—	—	40	\$254
FICTS.30	1.25"	14"	38"	—	—	48	\$338
FICTS.36	1.25"	14"	44"	—	—	55	\$374
FICTS.42	1.25"	14"	50"	—	—	62	\$526
FICTS.48	1.25"	14"	56"	—	—	71	\$530

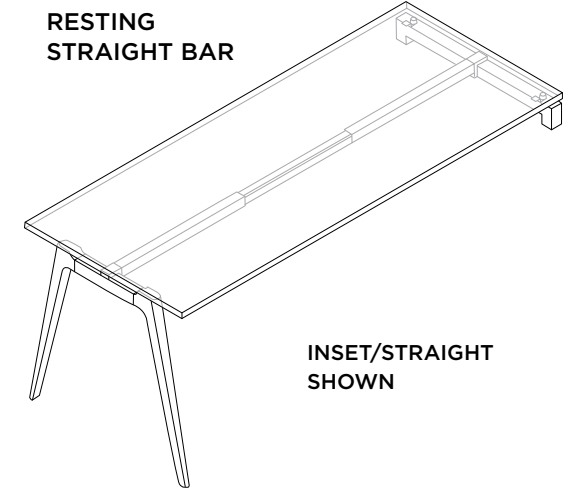
RESTING TABLETOPS (2 LEGS)

RESTING CONCAVE BAR



INSET/CONCAVE SHOWN

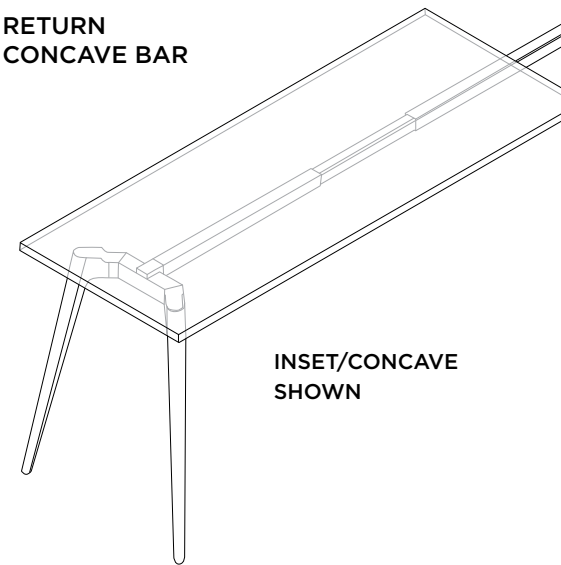
RESTING STRAIGHT BAR



INSET/STRAIGHT SHOWN

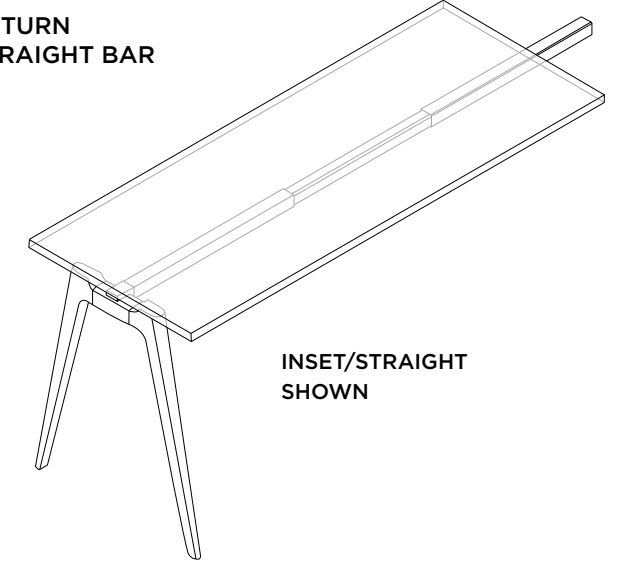
RETURN TABLETOPS (2 LEGS)

RETURN CONCAVE BAR



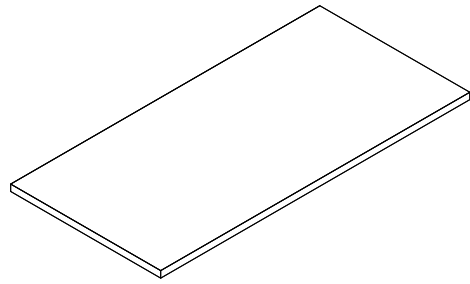
INSET/CONCAVE SHOWN

RETURN STRAIGHT BAR



INSET/STRAIGHT SHOWN

Rectangular



DESCRIPTION

Worksurface top only, for use with height adjustable base within workstation application

NOTES

- Add grommet (add \$75 list)
Specify GL, GC, GR
- Order base separately from MY-HITE pricebook

Note: Top size reduced 1" in depth and 2" in width to fit within system workstation and prevent pinch points. We do not recommend using full size worktop in paneled workstation applications.

SPECIFICATION OPTIONS

product #: see charts below
top, edge finish: **worksurface finish:** see page 12

ORDER EXAMPLE

product #: FIRWS.2340
edge finish: DT Dark Tone, E12
worksurface finish: Light Maple, M1
grommet: GC (Rear Center)

SQUARE EDGE RECTANGULAR WORKSURFACE

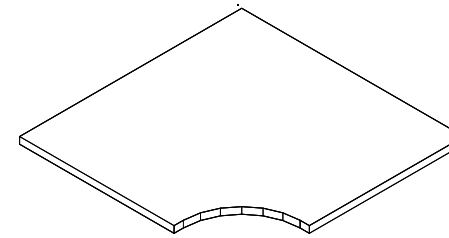
PART #	WIDTH	DEPTH	PRICE
FIRWS.2340	40"	23"	\$247
FIRWS.2346	46"	23"	\$252
FIRWS.2352	52"	23"	\$289
FIRWS.2358	58"	23"	\$315
FIRWS.2364	64"	23"	\$351
FIRWS.2370	70"	23"	\$360
FIRWS.2376	76"	23"	\$444

FIRWS.2940	40"	29"	\$317
FIRWS.2946	46"	29"	\$325
FIRWS.2952	52"	29"	\$368
FIRWS.2958	58"	29"	\$394
FIRWS.2964	64"	29"	\$440
FIRWS.2970	70"	29"	\$449
FIRWS.2976	76"	29"	\$552

NOTES

- Sizes are actual for example FTRWS.2370 is 23" x 70"

Corner



DESCRIPTION

Corner worksurface top only, for use with height adjustable base within workstation application.

NOTES

- Add grommet (add \$75 list)
Specify GL, GC, GR
- Order base separately from MY-HITE pricebook

Note: Top size reduced 1" in depth and 2" in with to fit within system workstation and prevent pinch points. We do not recommend using full size worktop in paneled workstation applications.

SPECIFICATION OPTIONS

product #: see charts below
top, edge finish: **worksurface finish:** see page 12

ORDER EXAMPLE

product #: FIRWS.2340
edge finish: DT Dark Tone, E12
worksurface finish: Light Maple, M1
grommet: GC (Rear Center)

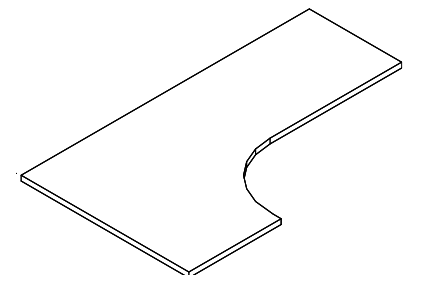
SQUARE EDGE CORNER WORKSURFACE

PART #	WIDTH	DEPTH	PRICE
FICWS.2340	40"	23"	\$404
FICWS.2346	46"	23"	\$427
FICWS.2940	40"	29"	\$439
FICWS.2946	46"	29"	\$462

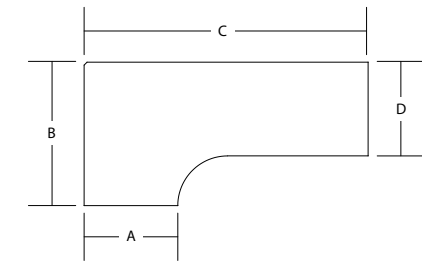
NOTES

- Sizes are actual for example FICWS.2346 is 23" x 46"

90° Extended Curved Corner



Right Extended shown



DESCRIPTION

Laminate worksurface with 3mm PVC edge

NOTES

- Worksurface top only, for use with height adjustable base within workstation application
- See My-Hite pricebook for use inside a freestanding application
- Add circular grommet (add \$75 list) Specify grommet placement GL, GC, GR
- Top size reduced 1" in depth and 2" in width to fit within system workstation and prevent pinch points.
- We do not recommend using full size worktop in paneled workstation applications

SPECIFICATION OPTIONS

product #: see charts below
top, edge, worksurface finish: see page 12
left or right extended: L for Left, R for Right

ORDER EXAMPLE

product #: FIECCWS.23345823L
top, edge finish: E10 Espresso
worksurface finish: M11 Light Walnut

23" D CONNECTING SIDE 23" D EXTENSION 34" D

PART #	HEIGHT	A	B	C	D	PRICE
FIECCWS.23345823L	1.25"	23"	34"	58"	23"	\$475
FIECCWS.23345823R	1.25"	23"	34"	58"	23"	\$475
FIECCWS.23346423L	1.25"	23"	34"	64"	23"	\$529
FIECCWS.23346423R	1.25"	23"	34"	64"	23"	\$529
FIECCWS.23347023L	1.25"	23"	34"	70"	23"	\$538
FIECCWS.23347023R	1.25"	23"	34"	70"	23"	\$538
FIECCWS.23347623L	1.25"	23"	34"	76"	23"	\$645
FIECCWS.23347623R	1.25"	23"	34"	76"	23"	\$645

29" D CONNECTING SIDE 29" D EXTENSION 34" D

PART #	HEIGHT	A	B	C	D	PRICE
FIECCWS.29345829L	1.25"	29"	34"	58"	29"	\$520
FIECCWS.29345829R	1.25"	29"	34"	58"	29"	\$520
FIECCWS.29346429L	1.25"	29"	34"	64"	29"	\$573
FIECCWS.29346429R	1.25"	29"	34"	64"	29"	\$573
FIECCWS.29347029L	1.25"	29"	34"	70"	29"	\$582
FIECCWS.29347029R	1.25"	29"	34"	70"	29"	\$582
FIECCWS.29347629L	1.25"	29"	34"	76"	29"	\$689
FIECCWS.29347629R	1.25"	29"	34"	76"	29"	\$689

23" D CONNECTING SIDE 23" D EXTENSION 40" D

PART #	HEIGHT	A	B	C	D	PRICE
FIECCWS.23405823L	1.25"	23"	40"	58"	23"	\$571
FIECCWS.23405823R	1.25"	23"	40"	58"	23"	\$571
FIECCWS.23406423L	1.25"	23"	40"	64"	23"	\$643
FIECCWS.23406423R	1.25"	23"	40"	64"	23"	\$643
FIECCWS.23407023L	1.25"	23"	40"	70"	23"	\$652
FIECCWS.23407023R	1.25"	23"	40"	70"	23"	\$652
FIECCWS.23407623L	1.25"	23"	40"	76"	23"	\$791
FIECCWS.23407623R	1.25"	23"	40"	76"	23"	\$791

29" D CONNECTING SIDE 29" D EXTENSION 40" D

PART #	HEIGHT	A	B	C	D	PRICE
FIECCWS.29405829L	1.25"	29"	40"	58"	29"	\$615
FIECCWS.29405829R	1.25"	29"	40"	58"	29"	\$615
FIECCWS.29406429L	1.25"	29"	40"	64"	29"	\$687
FIECCWS.29406429R	1.25"	29"	40"	64"	29"	\$687
FIECCWS.29407029L	1.25"	29"	40"	70"	29"	\$696
FIECCWS.29407029R	1.25"	29"	40"	70"	29"	\$696
FIECCWS.29407629L	1.25"	29"	40"	76"	29"	\$835
FIECCWS.29407629R	1.25"	29"	40"	76"	29"	\$835

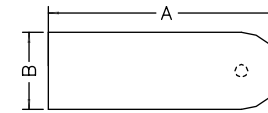
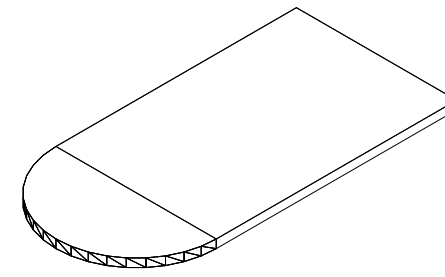
**23" D CONNECTING SIDE
23" D EXTENSION
46" D**

PART #	HEIGHT	A	B	C	D	PRICE
FIECCWS.23465823L	1.25"	23"	46"	58"	23"	\$580
FIECCWS.23465823R	1.25"	23"	46"	58"	23"	\$580
FIECCWS.23466423L	1.25"	23"	46"	64"	23"	\$652
FIECCWS.23466423R	1.25"	23"	46"	64"	23"	\$652
FIECCWS.23467023L	1.25"	23"	46"	70"	23"	\$667
FIECCWS.23467023R	1.25"	23"	46"	70"	23"	\$667
FIECCWS.23467623L	1.25"	23"	46"	76"	23"	\$813
FIECCWS.23467623R	1.25"	23"	46"	76"	23"	\$813

**29" D CONNECTING SIDE
29" D EXTENSION
46" D**

PART #	HEIGHT	A	B	C	D	PRICE
FIECCWS.29465829L	1.25"	29"	46"	58"	29"	\$625
FIECCWS.29465829R	1.25"	29"	46"	58"	29"	\$625
FIECCWS.29466429L	1.25"	29"	46"	64"	29"	\$696
FIECCWS.29466429R	1.25"	29"	46"	64"	29"	\$696
FIECCWS.29467029L	1.25"	29"	46"	70"	29"	\$712
FIECCWS.29467029R	1.25"	29"	46"	70"	29"	\$712
FIECCWS.29467629L	1.25"	29"	46"	76"	29"	\$857
FIECCWS.29467629R	1.25"	29"	46"	76"	29"	\$857

D-Shaped



DESCRIPTION

Worksurface top only, for use with height adjustable base within workstation application

NOTES

- Add grommet (add \$75 list)
Location is GC
- Order base separately from MY-HITE pricebook

Note: Top size reduced 1" in depth and 2" in width to fit within system workstation and prevent pinch points. We do not recommend using full size worktop in paneled workstation applications.

SPECIFICATION OPTIONS

product #: see charts below
top, edge finish: worksurface finish:
see page 12

ORDER EXAMPLE

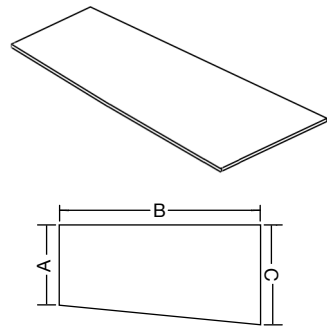
product #: FIEDSP.2346
edge finish: DT Dark Tone, E12
worksurface finish: Espresso, M10
grommet: GC (Rear Center)

**SQUARE EDGE
D-SHAPED**

PART #	HEIGHT	A	B	C	D	PRICE
FIEDSP.2346	1.25"	46"	23"	—	—	\$369
FIEDSP.2358	1.25"	58"	23"	—	—	\$413
FIEDSP.2946	1.25"	46"	29"	—	—	\$405
FIEDSP.2958	1.25"	58"	29"	—	—	\$448
FIEDSP.2970	1.25"	70"	29"	—	—	\$491
FIEDSP.3570	1.25"	70"	35"	—	—	\$542

NOTES

- Sizes are actual for example FIEDSP.2346 is 23" x 46"



DESCRIPTION

Worksurface top only, for use with height adjustable base within workstation application

NOTES

- Add grommet (add \$75 list)
Specify GL, GC, GR
- Order base separately from MY-HITE pricebook

Note: Top size reduced 1" in depth and 2" in width to fit within system workstation and prevent pinch points. We do not recommend using full size worktop in paneled workstation applications.

SPECIFICATION OPTIONS

product #: see charts below
top, edge finish: worksurface finish:
see page 12

ORDER EXAMPLE

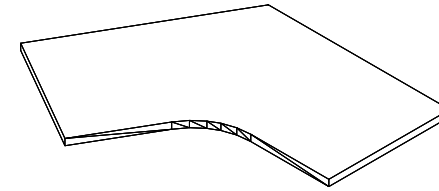
product #:FIWDWS.234029
edge finish: DT Dark Tone, E12
worksurface finish: Espresso, M10
grommet: GC (Rear Center)

23"D LEFT
29"D RIGHT

PART #	HEIGHT	A	B	C	D	PRICE
FIWDWS.234029	1.25"	23"	40"	29"	—	\$328
FIWDWS.234629	1.25"	23"	46"	29"	—	\$335
FIWDWS.235229	1.25"	23"	52"	29"	—	\$380
FIWDWS.235829	1.25"	23"	58"	29"	—	\$407
FIWDWS.236429	1.25"	23"	64"	29"	—	\$454
FIWDWS.237029	1.25"	23"	70"	29"	—	\$464
FIWDWS.237629	1.25"	23"	76"	29"	—	\$540

29"D LEFT
23"D RIGHT

PART #	HEIGHT	A	B	C	D	PRICE
FIWDWS.294023	1.25"	29"	40"	23"	—	\$328
FIWDWS.294623	1.25"	29"	46"	23"	—	\$335
FIWDWS.295223	1.25"	29"	52"	23"	—	\$380
FIWDWS.295823	1.25"	29"	58"	23"	—	\$407
FIWDWS.296423	1.25"	29"	64"	23"	—	\$454
FIWDWS.297023	1.25"	29"	70"	23"	—	\$464
FIWDWS.297623	1.25"	29"	76"	23"	—	\$540



DESCRIPTION

Worksurface top only, for use with height adjustable base within workstation application

NOTES

- Add grommet (add \$75 list)
Specify GL, GC, GR
- Order base separately from MY-HITE pricebook

Note: Top size reduced 1" in depth and 2" in width to fit within system workstation and prevent pinch points. We do not recommend using full size worktop in paneled workstation applications.

SPECIFICATION OPTIONS

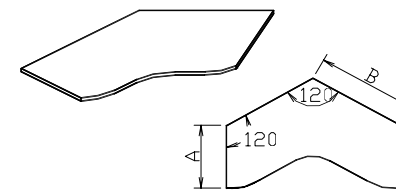
product #: see charts below
top, edge finish: worksurface finish:
see page 12

ORDER EXAMPLE

product #:FI120-90WS.2334
edge finish: DT Dark Tone, E12
worksurface finish: Espresso, M10
grommet: GC (Rear Center)

120° CORNER
90° ENDS

PART #	HEIGHT	A	B	C	D	PRICE
FI120-90WS.2334	1.25"	23"	34"	—	—	\$565
FI120-90WS.2340	1.25"	23"	40"	—	—	\$676
FI120-90WS.2346	1.25"	23"	46"	—	—	\$822



DESCRIPTION

Worksurface top only, for use with height adjustable base within workstation application

NOTES

- Add grommet (add \$75 list)
Specify GL, GC, GR
- Order base separately from MY-HITE pricebook

Note: Top size reduced 1" in depth and 2" in width to fit within system workstation and prevent pinch points. We do not recommend using full size worktop in paneled workstation applications.

SPECIFICATION OPTIONS

product #: see charts below
top, edge finish: worksurface finish:
see page 12

ORDER EXAMPLE

product #:FI120-120WS.2334
edge finish: DT Dark Tone, E12
worksurface finish: Espresso, M10
grommet: GC (Rear Center)

120° CORNER
120° ENDS

PART #	HEIGHT	A	B	C	D	PRICE
FI120-120WS.2334	1.25"	23"	34"	—	—	\$571
FI120-120WS.2340	1.25"	23"	40"	—	—	\$684
FI120-120WS.2346	1.25"	23"	46"	—	—	\$831

Grommet

DESCRIPTION

3" plastic grommet for use with worksurfaces.

NOTES

- Worksurfaces 24"-48" come with one grommet in center rear.
- Worksurfaces 54"-84" come with two grommets, 18" from each end.
- See chart below to see standard color grommet per each worksurface finish option.

SPECIFICATION OPTIONS

product #: see charts below

ORDER EXAMPLE

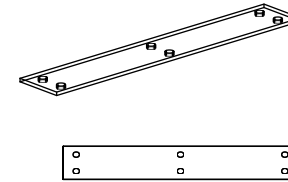
product #: FIG.BU (Black Umber finish)

GROMMET

PART #	HEIGHT	WIDTH	DEPTH	WT. (LBS)	PRICE	NOTES
FIG.BU (Black Umber)	-	-	-	-	\$2	Grommet color included with worksurface is standard.
FIG.CW (Cloud White)	-	-	-	-	\$2	Order separately for other color.

WORKSURFACE FINISH	STANDARD GROMMET COLOR
Light Maple	CW grommets
Light Cherry	BU grommets
Medium Cherry	BU grommets
Mahogany	BU grommets
Light Mahogany	BU grommets
Light Gray	CW grommets
White	CW grommets
Gray Specks	CW grommets
Cloud White	CW grommets
Espresso	BU grommets

Flat Bracket



DESCRIPTION

Used to support two worksurfaces when a support leg or panel leg is inappropriate.

NOTES

- Finish: Black

SPECIFICATION OPTIONS

product #: see charts below

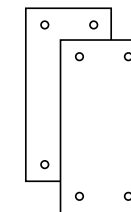
ORDER EXAMPLE

product #: FIFB.18

FLAT BRACKET

PART #	HEIGHT	A	B	C	D	WT. (LBS)	PRICE
FIFB.18	—	3"	18"	—	—	1	\$36

Mending Plates



DESCRIPTION

This Mending Plate is to be ordered if you're placing corner workstations next to other corner workstations without a rectangular worksurface return. Plate size is 2" x 4"

NOTES

- Sold in pairs

SPECIFICATION OPTIONS

product #: see charts below

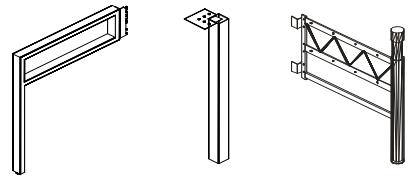
ORDER EXAMPLE

product #: FASS22-0-ZN

MENDING PLATES

PART #	HEIGHT	A	B	C	D	WT. (LBS)	PRICE
FASS22-0-ZN	—	—	—	—	—	1	\$4

Supports



DESCRIPTION

NOTES

- Use with frame and wall strip worksurfaces.

SPECIFICATION OPTIONS

product #: see charts below
finish: CW Cloud White, BU Black Umber

ORDER EXAMPLE

product #: F10MWS.2724
finish: CW

WORKSURFACE BRACKET

PART #	HEIGHT	WIDTH	DEPTH	WT. (LBS)	PRICE
FIWSB.L	—	—	—	0.25	\$5
FIWSB.R	—	—	—	0.25	\$5

NOTES

Attaches to the front of a hanging worksurface to provide additional support, when the return frame matches the depth of the worksurface.

Also used as support for the back corner of a corner worksurface.

Specify left or right
 Color: Black only

OPEN METAL WORKSURFACE SUPPORT

PART #	HEIGHT	WIDTH	DEPTH	WT. (LBS)	PRICE
F10MWS.2724	27.5"	—	24"	17	\$248
F10MWS.2730	27.5"	—	30"	19	\$273

NOTES

This support attaches to a worksurface and a frame or wall strip. It provides support and eliminates the need for a return frame.

To convert from left handed to right handed, remove attachment brackets, and reinstall in the position needed.

Specify the depth of the worksurface support to match the depth of the worksurface.

Specify finish: CW or BU

SQUARE POST LEG

PART #	HEIGHT	WIDTH	DEPTH	WT. (LBS)	PRICE
FISPL.2	27.5"	2"	2"	17	\$79
FISPL.3	27.5"	3"	3"	—	\$111

NOTES

Attaches to the underside of a worksurface and has an adjustable glide.

Specify finish: CW or BU

LAMINATE END PANEL

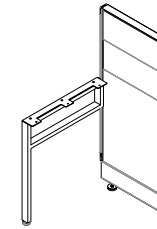
PART #	HEIGHT	WIDTH	DEPTH	WT. (LBS)	PRICE
FIWSSEP.24-MEL	—	—	24"	17	\$243
FIWSSEP.30-MEL	—	—	30"	19	\$279

NOTES

This support attaches to a worksurface and a frame or wall strip.

Supports | cont'd

SQUARE METAL P LEG SINGLE SUPPORT



PART #	HEIGHT	WIDTH	DEPTH	WT. (LBS)	PRICE
FISMLS.24	27.5"	—	24"	17	\$126
FISMLS.30	27.5"	—	30"	19	\$143

NOTES

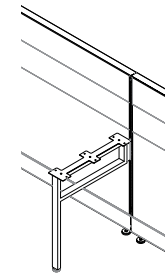
This support attaches to a worksurface and a frame or wall strip. It provides support for a single worksurface.

To convert from left handed to right handed, remove attachment brackets, and reinstall in the position needed.

Specify the depth of the worksurface support to match the depth of the worksurface.

Specify finish: CW or BU

SQUARE METAL P LEG DOUBLE SUPPORT



PART #	HEIGHT	WIDTH	DEPTH	WT. (LBS)	PRICE
FISMLD.24	27.5"	—	24"	17	\$139
FISMLD.30	27.5"	—	30"	19	\$158

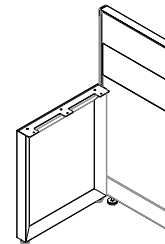
NOTES

This support attaches to a worksurface and a frame or wall strip. It provides support for two worksurfaces.

Specify the depth of the worksurface support to match the depth of the worksurface.

Specify finish: CW or BU

SQUARE CORNER TRIANGLE SHAPE LEG SINGLE SUPPORT



PART #	HEIGHT	WIDTH	DEPTH	WT. (LBS)	PRICE
FITMLDS.24	27.5"	—	24"	—	\$153
FITMLDS.30	27.5"	—	30"	—	\$173

NOTES

This support leg attaches to a worksurface and a frame or wall strip. It provides support for a single worksurface.

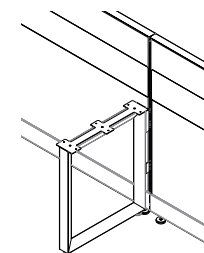
To connect from a left or right support, remove the top bar and reinstall it in the desired position.

Specify the depth of the support leg to match the depth of the worksurface.

Includes all attachment hardware.

Specify finish: CW or BU

SQUARE CORNER TRIANGLE SHAPE LEG DOUBLE SUPPORT



PART #	HEIGHT	WIDTH	DEPTH	WT. (LBS)	PRICE
FITMLDD.24	27.5"	—	24"	—	\$164
FITMLDD.30	27.5"	—	30"	—	\$187

NOTES

This support leg attaches to a worksurface and a frame or wall strip. It provides support for a single worksurface.

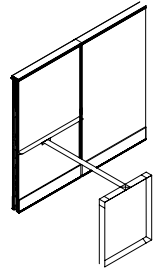
Specify the depth of the support leg to match the depth of the worksurface.

Includes all attachment hardware.

Specify finish: CW or BU

Supports | cont'd

OPEN LEG WITH FRAME SUPPORT BAR
24" DEPTH



PART #	HEIGHT	WIDTH	DEPTH	WT. (LBS)	PRICE
FITMLPS.4824	27.5"	48"	24"	—	\$478
FITMLPS.5424	27.5"	54"	24"	—	\$500
FITMLPS.6024	27.5"	60"	24"	—	\$515
FITMLPS.6624	27.5"	66"	24"	—	\$531
FITMLPS.7224	27.5"	72"	24"	—	\$544

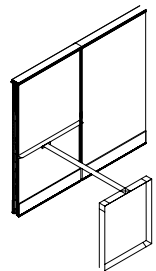
NOTES
This leg includes an frame support bar for the bottom of the worksurface that connects to a bracket securing the support bar to a frame of the same depth. (24" or 30")

Includes all attachment hardware, specify depth to match worksurface and attaching frame.

For use when specifying privacy screen.

Specify finish: CW or BU

OPEN LEG WITH FRAME SUPPORT BAR
30" DEPTH



PART #	HEIGHT	WIDTH	DEPTH	WT. (LBS)	PRICE
FITMLPS.4830	27.5"	48"	30"	—	\$517
FITMLPS.5430	27.5"	54"	30"	—	\$533
FITMLPS.6030	27.5"	60"	30"	—	\$546
FITMLPS.6630	27.5"	66"	30"	—	\$561
FITMLPS.7230	27.5"	72"	30"	—	\$575

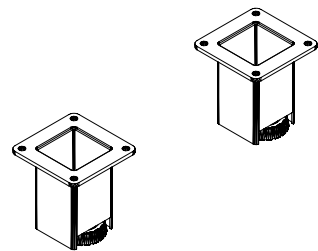
NOTES
This leg includes an frame support bar for the bottom of the worksurface that connects to a bracket securing the support bar to a frame of the same depth. (24" or 30")

Includes all attachment hardware, specify depth to match worksurface and attaching frame.

For use when specifying privacy screen.

Specify finish: CW or BU

WORKSURFACE SUPPORT BRACKETS



PART #	PRICE
FSPLCRED	\$160

NOTES
Worksurface support brackets (pair)
Credenza mounted. For use with FCREDSQXX.18XX
Finishes: CW, MT, DT, BU

Supports | cont'd

TAPER & INSET LEGS

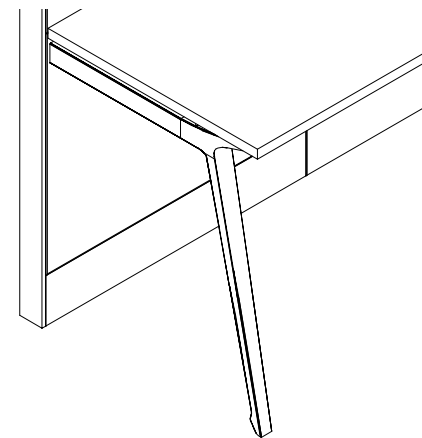
DESCRIPTION
Taper and Inset Legs for use with the Interra workstation

SPECIFICATION OPTIONS
product #: see charts below
finish: CW, SV, BU

NOTES

- Systems angled leg

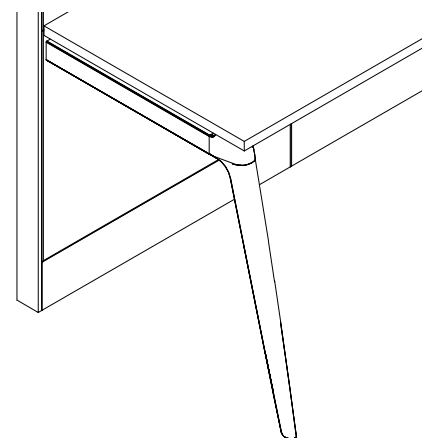
TAPER LEGS



PART #	HEIGHT	DEPTH	LIST
FIATPL.24	27.5"	24"	\$438
FIATPL.30	27.5"	30"	\$447

NOTES
• Attaches to the underside of a worksurface

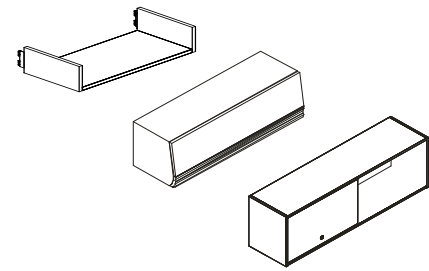
INSET LEGS



PART #	HEIGHT	DEPTH	LIST
FIAINL.24	27.5"	24"	\$369
FIAINL.30	27.5"	30"	\$378

NOTES
• Attaches to the underside of a worksurface

Overheads and Shelves



DESCRIPTION

NOTES

- Two styles of profile available. Order to match sliding front overhead or pneumatic overhead.

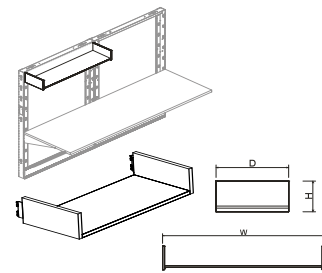
SPECIFICATION OPTIONS

product #: see charts below
 finish: CW Cloud White, BU Black Umber

ORDER EXAMPLE

product #: FISHSH.0824
 finish: CW

STRAIGHT FRONT HALF HEIGHT SHELF

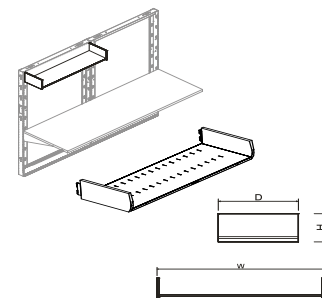


PART #	HEIGHT	WIDTH	DEPTH	WT. (LBS)	PRICE
FISHSH.0824	7.5"	24"	12.75"	12	\$125
FISHSH.0830	7.5"	30"	12.75"	13	\$132
FISHSH.0836	7.5"	36"	12.75"	13	\$146
FISHSH.0842	7.5"	42"	12.75"	14	\$160
FISHSH.0848	7.5"	48"	12.75"	15	\$174

NOTES

- This shelf hangs from a frame or wall strips.
- Includes attachment hardware
- Profile matches sliding front overhead
- Specify Finish

RADIUS FRONT HALF HEIGHT SHELF

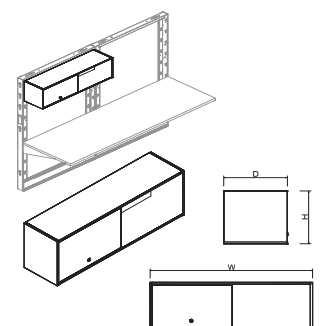


PART #	HEIGHT	WIDTH	DEPTH	WT. (LBS)	PRICE
FIPHSH.0824	7.5"	24"	12.75"	12	\$129
FIPHSH.0830	7.5"	30"	12.75"	13	\$135
FIPHSH.0836	7.5"	36"	12.75"	13	\$150
FIPHSH.0842	7.5"	42"	12.75"	14	\$161
FIPHSH.0848	7.5"	48"	12.75"	15	\$169

NOTES

- This shelf hangs from a frame or wall strips.
- Includes attachment hardware
- Profile matches pneumatic overhead
- Specify Finish.

SLIDING DOOR OVERHEAD CABINET



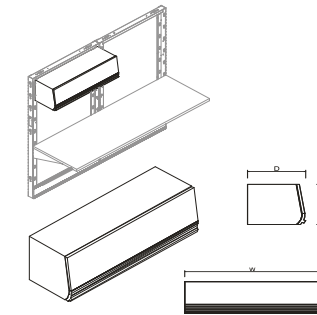
PART #	HEIGHT	WIDTH	DEPTH	WT. (LBS)	PRICE
FISLOV.1624	15.5"	24"	12.75"	21	\$353
FISLOV.1630	15.5"	30"	12.75"	24	\$386
FISLOV.1636	15.5"	36"	12.75"	26	\$420
FISLOV.1642	15.5"	42"	12.75"	29	\$459
FISLOV.1648	15.5"	48"	12.75"	32	\$497

NOTES

- This lockable sliding door storage cabinet hangs from a frame or wall strips. Includes a painted sliding door front, a lock and attaching hardware.
- Lock finish: Black
- Specify Finish.

Overheads and Shelves | (cont'd)

PNEUMATIC OVERHEAD CABINET

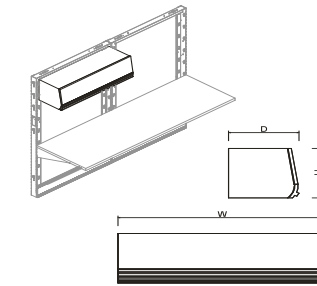


PART #	HEIGHT	WIDTH	DEPTH	WT. (LBS)	PRICE
FIPNOV.1624	15.5"	24"	16"	29	\$415
FIPNOV.1630	15.5"	30"	16"	31	\$454
FIPNOV.1636	15.5"	36"	16"	33	\$492
FIPNOV.1642	15.5"	42"	16"	35	\$527
FIPNOV.1648	15.5"	48"	16"	37	\$569

NOTES

- This storage cabinet, with lockable pneumatic door, hangs from a frame or wall strips.
- Includes pneumatic assist flipper door, a lock, and attaching hardware.
- Lock finish: Black
- Specify Finish

PNEUMATIC OVERHEAD PERFORATED METAL DOOR

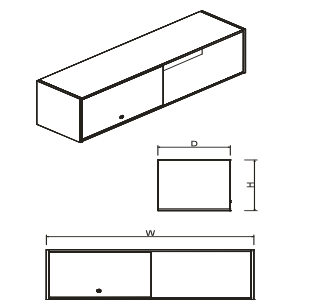


PART #	HEIGHT	WIDTH	DEPTH	WT. (LBS)	PRICE
FIPNOV.1624P	15.5"	24"	16"	29	\$501
FIPNOV.1630P	15.5"	30"	16"	31	\$552
FIPNOV.1636P	15.5"	36"	16"	33	\$598
FIPNOV.1642P	15.5"	42"	16"	35	\$658
FIPNOV.1648P	15.5"	48"	16"	37	\$712

NOTES

- This storage cabinet, with lockable pneumatic door, hangs from a frame or wall strips.
- Includes pneumatic assist flipper door, a lock, and attaching hardware.
- Lock finish: Black
- Specify Finish.
- Lead time 6-8 weeks.

UPMOUNT SLIDING OVERHEAD CABINET



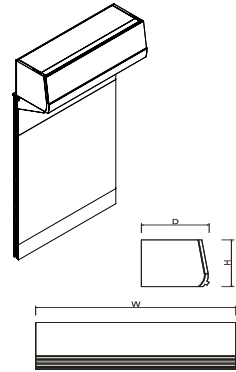
PART #	HEIGHT	WIDTH	DEPTH	WT. (LBS)	PRICE
FISLOVU.1624	15.5"	24"	12.75"	21	\$440
FISLOVU.1630	15.5"	30"	12.75"	24	\$487
FISLOVU.1636	15.5"	36"	12.75"	26	\$535
FISLOVU.1642	15.5"	42"	12.75"	29	\$589
FISLOVU.1648	15.5"	48"	12.75"	32	\$641

NOTES

- This lockable sliding door storage cabinet is up-mounted on a panel.
- Includes a painted sliding door front, a lock and attaching hardware.
- Door locks on left side only.
- Lock Finish: Black
- Specify Finish

Overheads and Shelves | (cont'd)

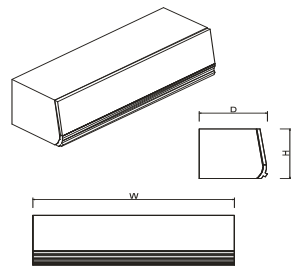
UPMOUNT PNEUMATIC OVERHEAD CABINET SOLID DOOR



PART #	HEIGHT	WIDTH	DEPTH	WT. (LBS)	PRICE
FIPNOVU.1624	15.5"	24"	16"	29	\$501
FIPNOVU.1630	15.5"	30"	16"	31	\$555
FIPNOVU.1636	15.5"	36"	16"	33	\$609
FIPNOVU.1642	15.5"	42"	16"	35	\$660
FIPNOVU.1648	15.5"	48"	16"	37	\$718

NOTES
 This storage cabinet, with lockable pneumatic door, up-mounts to the top of a panel.
 Includes pneumatic assist flipper door, a lock, and attaching hardware.
 LED tasklight only.
 Lock Finish: Black
 Specify Finish.

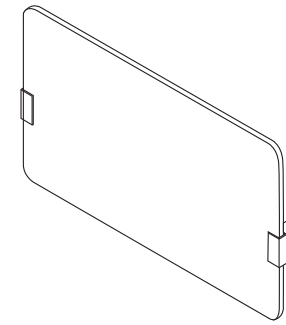
UPMOUNT PNEUMATIC OVERHEAD CABINET PERFORATED DOOR



PART #	HEIGHT	WIDTH	DEPTH	WT. (LBS)	PRICE
FIPNOVU.1624P	15.5"	24"	16"	29	\$587
FIPNOVU.1630P	15.5"	30"	16"	31	\$654
FIPNOVU.1636P	15.5"	36"	16"	33	\$715
FIPNOVU.1642P	15.5"	42"	16"	35	\$787
FIPNOVU.1648P	15.5"	48"	16"	37	\$860

NOTES
 This storage cabinet, with lockable pneumatic door, up-mounts to the top of a panel.
 Includes a pneumatic assist flipper door, a lock, and attaching hardware.
 LED tasklight only.
 Lock Finish: Black
 Specify Finish.

Privacy Screen, Fabric



DESCRIPTION
 Work Surface mounted fabric covered privacy screen

NOTES
 Fabric screen is non-tackable
 Actual screen is shorter than the worktop.
 Example: FPSFLUSH.2448 for use on 46"/48" width table, actual width of screen is 40"

SPECIFICATION OPTIONS
product #: see charts below
Paint (Brackets): CW, BU, SV
fabric: see page

ORDER EXAMPLE
product #: FPSFLUSH.2442
brackets: SV, Silver
fabric: PF-701-01, Terrian, Cloud

Fabric Privacy Screen - Flush

PART #	HEIGHT	WIDTH	LIST
FPSFLUSH.2442	24"	34"	\$457
FPSFLUSH.2448	24"	40"	\$495
FPSFLUSH.2454	24"	46"	\$533
FPSFLUSH.2460	24"	52"	\$572
FPSFLUSH.2466	24"	58"	\$611
FPSFLUSH.2472	24"	64"	\$650

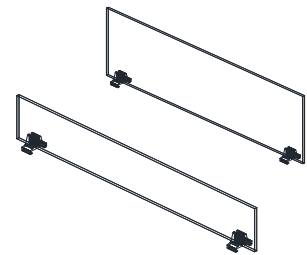
NOTES
 • Privacy screen sits flush with the back of the worktop.
 • Privacy screen is 8" shorter than free standing top width and 6" shorter than a worksurface from a paneled system.
 Example:
 1. FSQAHT-2460 order FPSFLUSH.2460 (actual width 52")
 2. FIRWS.2370 (Interra pricebook) order FPSFLUSH.2472 (actual width 64")

Fabric Privacy Screen - with Wire Management Gap

PART #	HEIGHT	WIDTH	LIST
FPSGAP.2442	24"	34"	\$457
FPSGAP.2448	24"	40"	\$495
FPSGAP.2454	24"	46"	\$533
FPSGAP.2460	24"	52"	\$572
FPSGAP.2466	24"	58"	\$611
FPSGAP.2472	24"	64"	\$650

NOTES
 • With 1" gap at back of worksurface for cord/wire management.
 Example:
 1. FSQAHT-2460 order FPSGAP.2460 (actual width 52")
 2. FIRWS.2370 (Interra pricebook) order FPSGAP.2472 (actual width 64")

Frameless Glass



DESCRIPTION

NOTES

- Frameless Glass screens are attached to the top of a single frame with included hardware.
- Matches the width of the frame.
- 3/4" gap between glass in a straight line
- 5/16" gap at change of height bracket

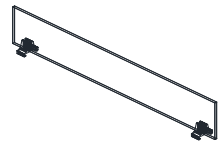
SPECIFICATION OPTIONS

product #: see charts below

ORDER EXAMPLE

product #: FIG.0824-CL

FRAMELESS GLASS 8" CLEAR



PART #	HEIGHT	WIDTH	DEPTH	WT. (LBS)	PRICE
FIFG.0824-CL	8"	23-1/4"	—	—	\$268
FIFG.0830-CL	8"	29-1/4"	—	—	\$292
FIFG.0836-CL	8"	35-1/4"	—	—	\$314
FIFG.0842-CL	8"	41-1/4"	—	—	\$338
FIFG.0848-CL	8"	47-1/4"	—	—	\$360

NOTES

Includes attachment hardware, brushed finish.

Package contains 2.

FRAMELESS GLASS 14" CLEAR



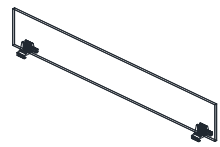
PART #	HEIGHT	WIDTH	DEPTH	WT. (LBS)	PRICE
FIFG.1424-CL	14"	23-1/4"	—	—	\$340
FIFG.1430-CL	14"	29-1/4"	—	—	\$378
FIFG.1436-CL	14"	35-1/4"	—	—	\$414
FIFG.1442-CL	14"	41-1/4"	—	—	\$450
FIFG.1448-CL	14"	47-1/4"	—	—	\$492

NOTES

Includes attachment hardware, brushed finish.

Package contains 2.

FRAMELESS GLASS 8" FROSTED



PART #	HEIGHT	WIDTH	DEPTH	WT. (LBS)	PRICE
FIFG.0824-FR	8"	23-1/4"	—	—	\$348
FIFG.0830-FR	8"	29-1/4"	—	—	\$390
FIFG.0836-FR	8"	35-1/4"	—	—	\$434
FIFG.0842-FR	8"	41-1/4"	—	—	\$476
FIFG.0848-FR	8"	47-1/4"	—	—	\$520

NOTES

Includes attachment hardware, brushed finish.

Package contains 2.

FRAMELESS GLASS 14" FROSTED



PART #	HEIGHT	WIDTH	DEPTH	WT. (LBS)	PRICE
FIFG.1424-FR	14"	23-1/4"	—	—	\$476
FIFG.1430-FR	14"	29-1/4"	—	—	\$550
FIFG.1436-FR	14"	35-1/4"	—	—	\$624
FIFG.1442-FR	14"	41-1/4"	—	—	\$696
FIFG.1448-FR	14"	47-1/4"	—	—	\$772

NOTES

Includes attachment hardware, brushed finish.

Package contains 2.

FRAMELESS GLASS SLIM BRACKET

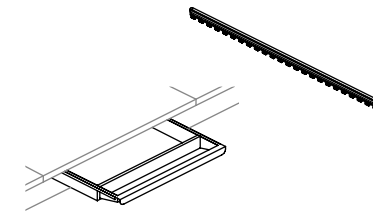
PART #	HEIGHT	WIDTH	DEPTH	WT. (LBS)	PRICE
FIFGB-SL	—	—	—	—	\$45

NOTES

Sold as single bracket.

Slim bracket is used in place of an existing bracket in configurations where an overhead storage is adjacent to the frameless glass.

Components



DESCRIPTION

NOTES

- Two styles of profile available. Order to match sliding front overhead or pneumatic overhead.

SPECIFICATION OPTIONS

product #: see charts below
finish: CW Cloud White, BU Black Umber

ORDER EXAMPLE

product #: FISHSH.0824
finish: CW

LED TASKLIGHT



PART #	HEIGHT	WIDTH	DEPTH	WT. (LBS)	PRICE
FLED.20	0.75"	20"	1"	1	\$221
FLED.38	0.75"	38"	1"	2	\$278

NOTES

Attaches beneath a shelf or storage cabinet.

It includes an LED light, power cord, motion sensor, and installation hardware.

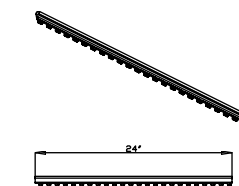
Has a pivot range of +/- 15°.

FLED.20 for use on overheads 24" - 36".

FLED.38 for use on overheads 42" or wider.

Finish: Silver

WIRE MANAGER



PART #	HEIGHT	WIDTH	DEPTH	WT. (LBS)	PRICE
FIWM.24	24"	.5"	—	2	\$73

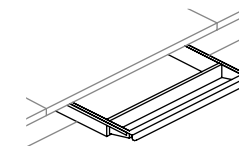
NOTES

Used to manage electrical cords vertically. Fits between side by side tiles, or between a tile and a connector. It hangs on the frame slots.

Package contains four Wire Managers.

Finish: Black

PENCIL DRAWER



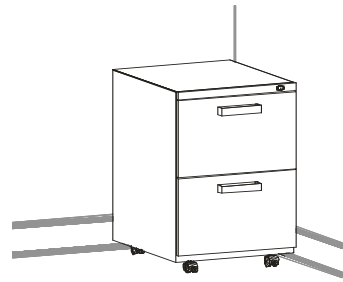
PART #	HEIGHT	WIDTH	DEPTH	WT. (LBS)	PRICE
FIPD	1.875"	21.125"	16.25"	5	\$164

NOTES

Stores small items. Attaches to the underside of a worksurface. Includes attachment hardware.

Only available in MT Medium Tone or DT Dark Tone.

Pedestals



DESCRIPTION

Metal storage with drawers

NOTES

- Square drawer front
- Order side-to-side file bars
- Specify pull when ordering
- Designer pull has color options: specify color when ordering. (See page 17)

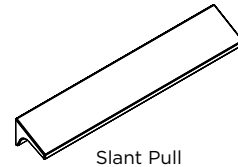
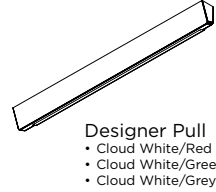
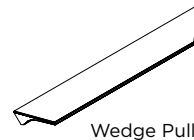
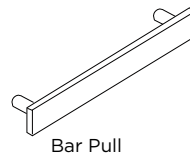
SPECIFICATION OPTIONS

product #: see charts below
finish: CW Cloud White, BU Black Umber
pull: See page 17

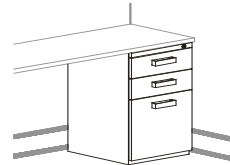
ORDER EXAMPLE

product #: FPEDSQP.BBF-MET
finish: CW
pull: Wedge

PEDESTAL PULL OPTIONS



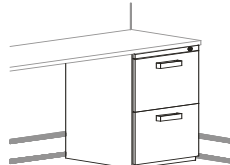
BOX / BOX / FILE PEDESTAL



PART #	HEIGHT	WIDTH	DEPTH	WT. (LBS)	PRICE
FPEDSQP.BBF-MET	27"	15"	20"	56	\$607
WEDGE, DESIGNER OR SLANT PULL					+\$75

NOTES
 Supporting metal pedestal with lock, without top cap. Attaches to the underside of a worksurface.
 Square drawer front
 Specify pull when ordering
 Designer pull has color options: specify color when ordering. (See page 17)
 Order side to side file bars

FILE / FILE PEDESTAL



PART #	HEIGHT	WIDTH	DEPTH	WT. (LBS)	PRICE
FPEDSQP.FF-MET	27"	15"	20"	53	\$607
WEDGE, DESIGNER OR SLANT PULL					+\$50

NOTES
 Supporting metal pedestal, with lock, without top cap. Attaches to the underside of a worksurface.
 Square drawer front
 Specify pull when ordering
 Designer pull has color options: specify color when ordering. (See page 17)
 Order side to side file bars.

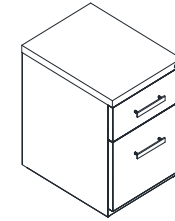
SIDE TO SIDE FILE BAR

PART #	HEIGHT	WIDTH	DEPTH	WT. (LBS)	PRICE
FSSB	—	—	—	1	\$18

NOTES
 Side to side file bar for filing letter or legal size folders.
 Order one per file drawer.
 Finish: Black

Pedestals | (cont'd)

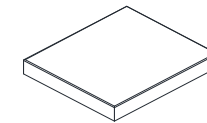
BOX / FILE PEDESTAL MOBILE



PART #	HEIGHT	WIDTH	DEPTH	WT. (LBS)	PRICE
FPEDSQP.BF-MOB-MET	22"	15"	20"	85	\$665
WEDGE, DESIGNER OR SLANT PULL					+\$50

NOTES
 Free-standing mobile pedestal with lock and with top cap.
 Square drawer front
 Specify pull when ordering
 Designer pull has color options: specify color when ordering. (See page 17)
 Order side to side file bars.

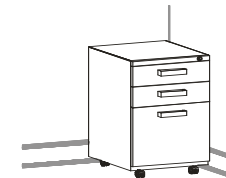
BOX / FILE PEDESTAL MOBILE CUSHION



PART #	HEIGHT	WIDTH	DEPTH	WT. (LBS)	PRICE
FPEDSQ.CUSH	1.75"	15"	20"	—	\$272

NOTES
 For Box/File Mobile Pedestal only.
 If cushion is placed on a full height mobile pedestal, it will not fit under a worksurface.
 Passage and Terrain fabrics can not be used on pedestal cushions. (See page 10)

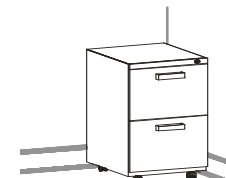
BOX / BOX / FILE PEDESTAL MOBILE



PART #	HEIGHT	WIDTH	DEPTH	WT. (LBS)	PRICE
FPEDSQP.BBF-MOB-MET	27.25"	15"	20"	85	\$789
WEDGE, DESIGNER OR SLANT PULL					+\$75

NOTES
 Free-standing mobile pedestal with lock and with top cap.
 Square drawer front
 Specify pull when ordering
 Designer pull has color options: specify color when ordering. (See page 17)
 Order side to side file bars.

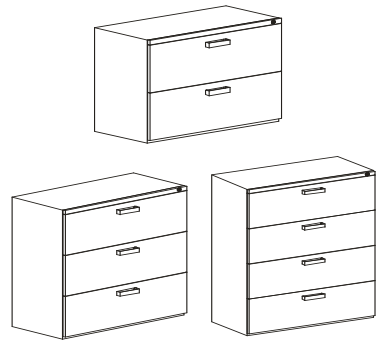
FILE / FILE PEDESTAL MOBILE



PART #	HEIGHT	WIDTH	DEPTH	WT. (LBS)	PRICE
FPEDSQP.FF-MOB-MET	27.25"	15"	20"	76	\$789
WEDGE, DESIGNER OR SLANT PULL					+\$50

NOTES
 Free-standing mobile pedestal with lock and with top cap.
 Square drawer front.
 Specify pull when ordering
 Designer pull has color options: specify color when ordering. (See page 17)
 Order side to side file bars.

Lateral Files



DESCRIPTION

Metal storage with drawers

SPECIFICATION OPTIONS

product #: see charts below
finish: CW Cloud White, BU Black Umber
pull: See page 17

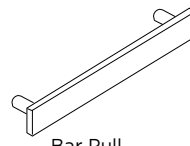
NOTES

- Freestanding 3 and 4 drawer lateral files must be bolted together or bolted to a wall
- Order front to back file bars
- Specify pull when ordering
- Designer pull has color options: specify color when ordering. (See page 17)

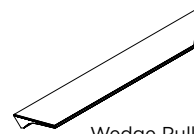
ORDER EXAMPLE

product #: FLFSQP-2-30-MET
finish: CW
pull: Wedge

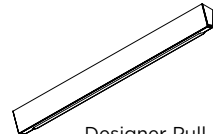
LATERAL FILES PULL OPTIONS



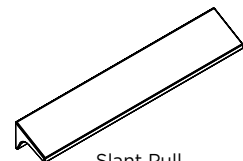
Bar Pull



Wedge Pull

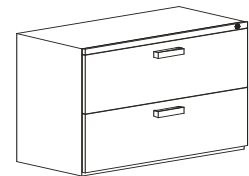


Designer Pull
 • Cloud White/Red
 • Cloud White/Green
 • Cloud White/Grey



Slant Pull

2 DRAWER LATERAL FILES



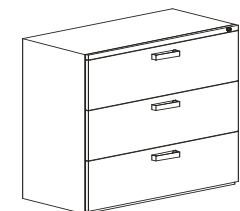
PART #	HEIGHT	WIDTH	DEPTH	WT. (LBS)	PRICE
FLFSQP-2-30-MET	27.5"	30"	20"	103	\$1,088
FLFSQP-2-36-MET	27.5"	36"	20"	123	\$1,320
FLFSQP-2-42-MET	27.5"	42"	20"	151	\$1,352

WEDGE, DESIGNER OR SLANT PULL +\$50

NOTES

- Supporting lateral file with lock and finished top cap.
- Square drawer front
- Order front to back file bars
- Specify pull when ordering
- Designer pull has color options: specify color when ordering. (See page 17)
- Order counterweight to convert to Free-Standing Lateral File.

FREE-STANDING 3 DRAWER LATERAL FILES WITH TOP CAP



PART #	HEIGHT	WIDTH	DEPTH	WT. (LBS)	PRICE
FLFSQP-3-30-MET	40"	30"	20"	121	\$1,409
FLFSQP-3-36-MET	40"	36"	20"	151	\$1,591
FLFSQP-3-42-MET	40"	42"	20"	181	\$1,731

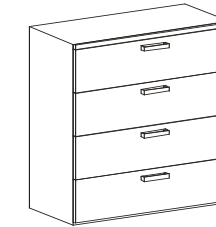
WEDGE, DESIGNER OR SLANT PULL +\$75

NOTES

- Free-Standing Lateral File with lock and finished top cap.
- Square drawer front
- Free-standing Lateral Files must be bolted to a wall or bolted together.
- Specify pull when ordering
- Designer pull has color options: specify color when ordering. (See page 17)
- Order front to back file bars

Lateral Files (cont'd)

FREE-STANDING 4 DRAWER LATERAL FILES WITH TOP CAP



PART #	HEIGHT	WIDTH	DEPTH	WT. (LBS)	PRICE
FLFSQP-4-30-MET	51.5"	30"	20"	173	\$1,785
FLFSQP-4-36-MET	51.5"	36"	20"	196	\$1,961
FLFSQP-4-42-MET	51.5"	42"	20"	241	\$2,143

WEDGE, DESIGNER OR SLANT PULL +\$100

NOTES

- Free-standing Lateral File with lock and finished top cap.
- Square drawer front
- Free-standing Lateral Files must be bolted to a wall or bolted together.
- Specify pull when ordering
- Designer pull has color options: specify color when ordering. (See page 17)
- Order front to back file bars

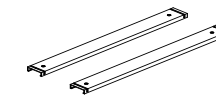
LATERAL FILE COUNTERWEIGHT

PART #	HEIGHT	WIDTH	DEPTH	WT. (LBS)	PRICE
FLFCW-30	use with 30" W lateral file		*	23	\$61
FLFCW-36	use with 36" W lateral file		**	46	\$92
FLFCW-42	use with 42" W lateral file		**	46	\$92

NOTES

- Attaches securely to the inside back of the lateral file.
- For use with 2 Drawer Lateral File only.
- * Includes one 20 lb counterweight
- ** Includes two 20 lb counterweights, for a total of 40 lbs of counterweight

FRONT TO BACK FILE BARS

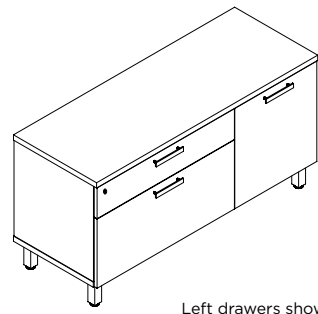


PART #	HEIGHT	WIDTH	DEPTH	WT. (LBS)	PRICE
FFB	3/8"	13/16"	15 11/16"	1	\$24

NOTES

- Package of 2
- Order one package of 2 per drawer
- Finish: Black

Freestanding Credenza Units



Left drawers shown

DESCRIPTION

Locking laminate storage unit with drawers, door and feet.

NOTES

- Drawers can be specified L for left side drawers or R for right side drawers.

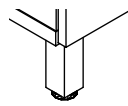
SPECIFICATION OPTIONS

product #: see charts below
top, front & casing finish: See page 14
drawer side: L for Left, R for Right
pull: See page 16
feet: Post, Taper or Inset (note finishes below)

ORDER EXAMPLE

product #: FCREDSQAP1842L
top finish: M13
front finish: M28
casing finish: M28
foot: TAPER
foot finish: SV
pull: Wedge

CREDENZA FEET OPTIONS



Post foot

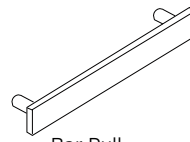


Taper foot (CW, BU, SV)



Inset foot (CW, BU, SV)

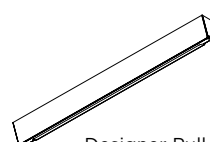
FREESTANDING CREDENZA UNIT PULL OPTIONS



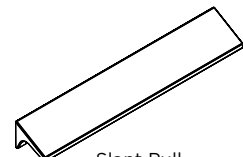
Bar Pull



Wedge Pull

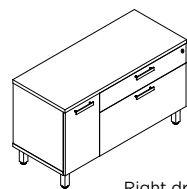


Designer Pull
 • Cloud White/Red
 • Cloud White/Green
 • Cloud White/Grey



Slant Pull

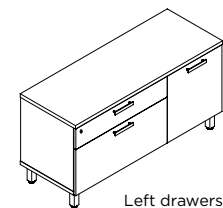
FREESTANDING CREDENZA: 42" WIDE



Right drawers shown

PART #	HEIGHT	WIDTH	DEPTH	WT. (LBS)	PRICE	NOTES
FCREDSQAP1842L	24"	42"	18"	—	\$1,219	Freestanding Credenza with feet, storage unit and drawers. Specify pull when ordering Square drawer front
FCREDSQAP1842R	24"	42"	18"	—	\$1,219	

FREESTANDING CREDENZA: 48" WIDE

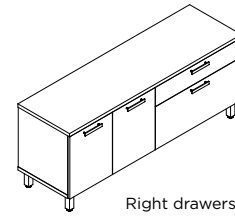


Left drawers shown

PART #	HEIGHT	WIDTH	DEPTH	WT. (LBS)	PRICE	NOTES
FCREDSQAP1848L	24"	48"	18"	—	\$1,334	Freestanding Credenza with feet, storage unit and drawers. Specify pull when ordering Square drawer front.
FCREDSQAP1848R	24"	48"	18"	—	\$1,334	

Freestanding Credenza Units - CONTINUED

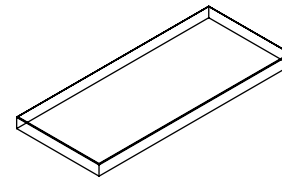
FREESTANDING CREDENZA: 60" WIDE



Right drawers shown

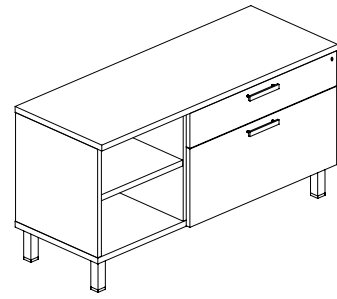
PART #	HEIGHT	WIDTH	DEPTH	WT. (LBS)	PRICE	NOTES
FCREDSQAP1860L	24"	60"	18"	—	\$1,501	Freestanding Credenza with feet, storage unit and drawers. Specify pull when ordering Square drawer front.
FCREDSQAP1860R	24"	60"	18"	—	\$1,501	

CREDENZA CUSHION



PART #	HEIGHT	WIDTH	DEPTH	WT. (LBS)	PRICE	NOTES
FCREDSQ.CUSH30	1.75"	30"	18"	—	\$280	For use with Credenza only. Specify standard fabric.
FCREDSQ.CUSH36	1.75"	36"	18"	—	\$286	
FCREDSQ.CUSH42	1.75"	42"	18"	—	\$322	Passage and Terrain fabrics can not be used on credenza cushions. (See page 10)
FCREDSQ.CUSH48	1.75"	48"	18"	—	\$358	
FCREDSQ.CUSH60	1.75"	60"	18"	—	\$430	

Freestanding Credenza Units - CONTINUED



Right drawers shown

DESCRIPTION

Locking laminate storage unit with drawers and open shelves.

NOTES

- Drawers can be specified L for left side drawers or R for right side drawers.

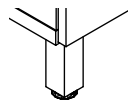
SPECIFICATION OPTIONS

product #: see charts below
top, front & casing finish: See page 14
drawer side: L for Left, R for Right
pull: See page 17
feet: Post, Taper or Inset (note finishes below)

ORDER EXAMPLE

product #: FCREDSQOP1842L
top finish: M13
front finish: M28
casing finish: M28
foot: TAPER
foot finish: SV
pull: Wedge

CREDENZA FEET OPTIONS



Post foot (Brushed only)

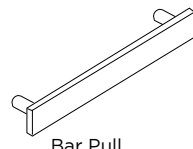


Taper foot (CW, BU, SV)

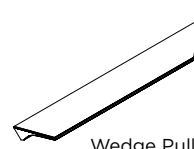


Inset foot (CW, BU, SV)

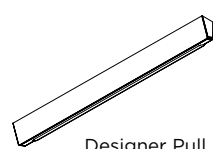
FREESTANDING CREDENZA UNIT PULL OPTIONS



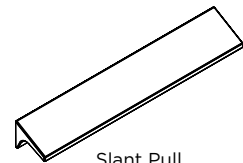
Bar Pull



Wedge Pull

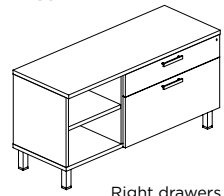


Designer Pull
 • Cloud White/Red
 • Cloud White/Green
 • Cloud White/Grey



Slant Pull

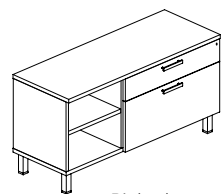
FREESTANDING CREDENZA: 42" WIDE



Right drawers shown

PART #	HEIGHT	WIDTH	DEPTH	WT. (LBS)	PRICE	NOTES
FCREDSQOP1842L	24"	42"	18"	—	\$1,030	Freestanding Credenza with feet, open shelves and drawers. Specify pull when ordering Square drawer front
FCREDSQOP1842R	24"	42"	18"	—	\$1,030	

FREESTANDING CREDENZA: 48" WIDE

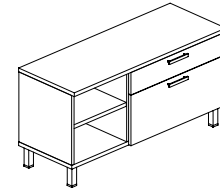


Right drawers shown

PART #	HEIGHT	WIDTH	DEPTH	WT. (LBS)	PRICE	NOTES
FCREDSQOP1848L	24"	48"	18"	—	\$1,145	Freestanding Credenza with feet, open shelves and drawers. Specify pull when ordering Square drawer front
FCREDSQOP1848R	24"	48"	18"	—	\$1,145	

Freestanding Credenza Units - CONTINUED

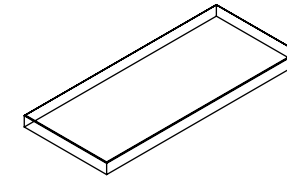
FREESTANDING CREDENZA: 60" WIDE



Right drawers shown

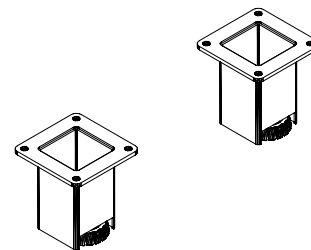
PART #	HEIGHT	WIDTH	DEPTH	WT. (LBS)	PRICE	NOTES
FCREDSQOP1860L	24"	60"	18"	—	\$1,312	Freestanding Credenza with feet, open shelves and drawers. Specify pull when ordering Square drawer front.
FCREDSQOP1860R	24"	60"	18"	—	\$1,312	

CREDENZA CUSHION



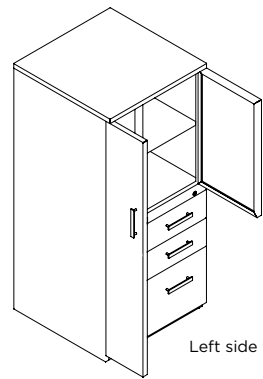
PART #	HEIGHT	WIDTH	DEPTH	WT. (LBS)	PRICE	NOTES
FCREDSQ.CUSH30	1.75"	30"	18"	—	\$280	For use with Credenza only. Specify standard fabric.
FCREDSQ.CUSH36	1.75"	36"	18"	—	\$286	
FCREDSQ.CUSH42	1.75"	42"	18"	—	\$322	Passage and Terrain fabrics can not be used credenza cushions. (See page 10)
FCREDSQ.CUSH48	1.75"	48"	18"	—	\$358	
FCREDSQ.CUSH60	1.75"	60"	18"	—	\$430	

WORKSURFACE SUPPORT BRACKETS



PART #	PRICE	NOTES
FSPL.CRED	\$160	Worksurface support brackets (pair) Credenza mounted. For use with FCREDSQXX.18XX Finishes: CW, MT, DT, BU

Freestanding Towers



Left side wardrobe shown.

DESCRIPTION

Metal storage tower with drawers, door, and wardrobe.

NOTES

- Drawers have a lock
- Door and cabinet do not have locks
- Specify pull when ordering
- Designer pull has color options: specify color when ordering. (See page 17)

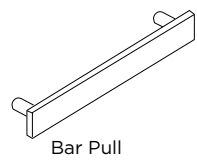
SPECIFICATION OPTIONS

product #: see charts below
finish: CW Cloud White, BU Black Umber
pull: See page 17

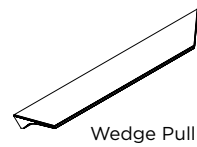
ORDER EXAMPLE

product #: FTBBFP.2453L
finish: CW
pull: Wedge

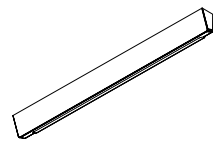
FREESTANDING TOWERS PULL OPTIONS



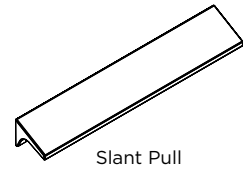
Bar Pull



Wedge Pull

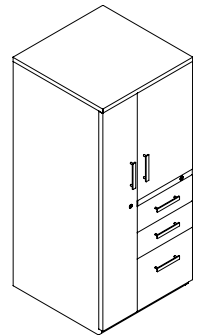


Designer Pull
 • Cloud White/Red
 • Cloud White/Green
 • Cloud White/Grey



Slant Pull

FREESTANDING TOWERS 53" HIGH



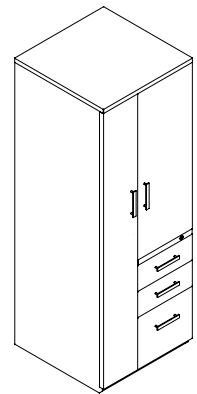
Left side wardrobe shown.

PART #	HEIGHT	WIDTH	DEPTH	WT. (LBS)	PRICE
FTBBFP.2453L	53"	24"	24"	—	\$1,995
FTBBFP.2453R	53"	24"	24"	—	\$1,995
WEDGE, DESIGNER OR SLANT PULL					+\$125

NOTES

Free-standing tower, 53" high.
 Square drawer front
 Order side to side file bars
 Specify pull when ordering
 Designer pull has color options: specify color when ordering. (See page 17)
 Specify wardrobe on left or right side

FREESTANDING TOWERS 67" HIGH



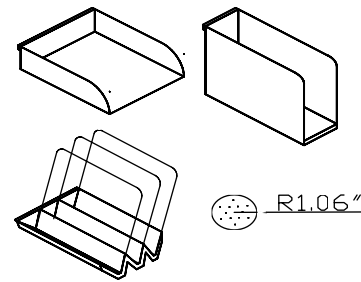
Left side wardrobe shown.

PART #	HEIGHT	WIDTH	DEPTH	WT. (LBS)	PRICE
FTBBFP.2467L	67"	24"	24"	—	\$2,495
FTBBFP.2467R	67"	24"	24"	—	\$2,495
WEDGE, DESIGNER OR SLANT PULL					+\$125

NOTES

Free-standing tower, 67" high.
 Square drawer front.
 Order side to side file bars
 Specify pull when ordering
 Designer pull has color options: specify color when ordering. (See page 17)
 Specify wardrobe on left or right side.

Accessories



DESCRIPTION

NOTES

- Carpet Gripper available in Black only

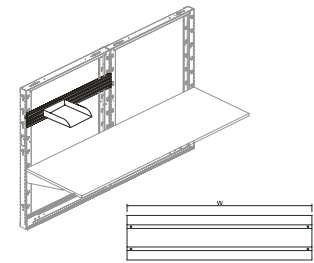
SPECIFICATION OPTIONS

product #: see charts below
finish: CW Cloud White, BU Black Umber

ORDER EXAMPLE

product #: FITB.24
finish: CW

TOOL BARS

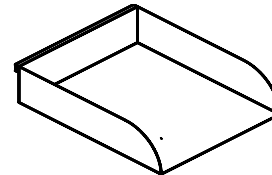


PART #	HEIGHT	WIDTH	DEPTH	WT. (LBS)	PRICE
FITB.24	—	24"	—	2	\$64
FITB.30	—	30"	—	2	\$78
FITB.36	—	36"	—	3	\$91
FITB.42	—	42"	—	3	\$105
FITB.48	—	48"	—	4	\$118

NOTES

Attaches to a frame or to wall strips.
 Specify Tool Bar width the same as the frame.
 Order Rail Tools separately.

FLAT PAPER TRAY

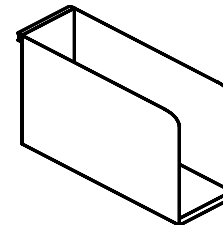


PART #	HEIGHT	WIDTH	DEPTH	WT. (LBS)	PRICE
FFPT	3"	10"	12"	2	\$40

NOTES

Order tool bar separately.

VERTICAL SINGLE TRAY



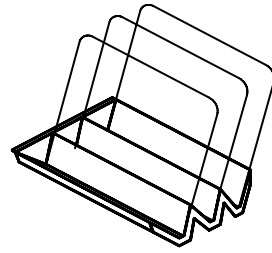
PART #	HEIGHT	WIDTH	DEPTH	WT. (LBS)	PRICE
FVST	8"	4"	12"	2	\$38

NOTES

Order tool bar separately.

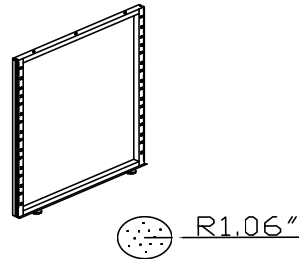
Accessories

VERTICAL TRIPLE TRAY



PART #	HEIGHT	WIDTH	DEPTH	WT. (LBS)	PRICE	NOTES
FVTT	11"	12"	12"	4	\$74	Order tool bar separately.

CARPET GRIPPER



PART #	HEIGHT	WIDTH	DEPTH	WT. (LBS)	PRICE	NOTES
FICG	—	2.125"	—	0.25	\$5	Plastic Gripper fits onto the adjustable glides of frames,

Do not use on hard surface flooring.
Finish: Black

SINGLE MONITOR ARM



PART #	HEIGHT	WIDTH	DEPTH	WT. (LBS)	LIST	NOTES
FMA-S	—	—	—	—	\$525	CW Finish

Includes attachment hardware for clamp, grommet and Verity track mount.

DUAL MONITOR ARM



PART #	HEIGHT	WIDTH	DEPTH	WT. (LBS)	LIST	NOTES
FMA-D	—	—	—	—	\$750	CW Finish

Includes attachment hardware for clamp, grommet and Verity track mount.

Keyed-Alike Information

DESCRIPTION	SPECIFICATION OPTIONS
	product #: see charts below
NOTES	ORDER EXAMPLE
	product #: FLCKA

KEYED-ALIKE LOCKS

PART #	DESCRIPTION	PRICE	NOTES
FLCKA-4	Lock Core Keyed-Alike (set of 4)	\$115	All Friant Pedestals, Lateral Files, and Overhead Cabinets can be keyed-alike.
FLCKA-6	Lock Core Keyed-Alike (set of 6)	\$115	
FCK	Lock Core Removal Key	\$17	Keyed-Alike Lock Cores are sold in sets of 4.
FMK	Lock Core Master Key	\$17	Each set includes four Lock Cores, each with two keys, all with the same lock number.
			One Lock Core Removal Key is shipped with every order.
			Additional Lock Core Removal Keys and Master Keys are available.

DASH

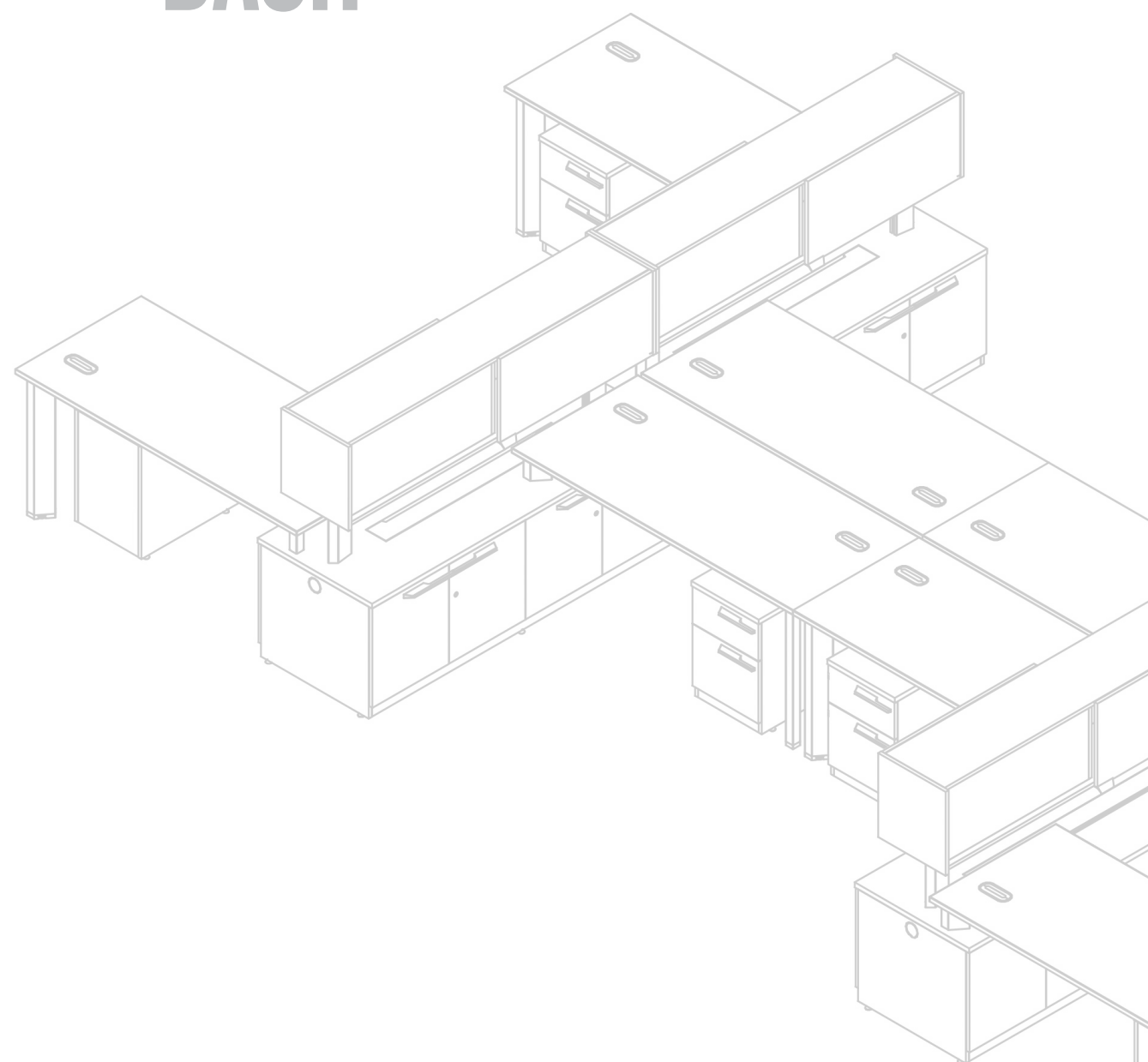


TABLE OF CONTENTS

INTRODUCTION

Terms and Conditions	114
Standard Fabrics	116
Standard Finishes	117
Helpful Tips	119
Powering Dash	120
How to Order Dash	121
Grommet Locations	122
Fixed and Mobile Pedestals	124
Towers	125
Freestanding Credenza Units	126
Credenza, Pedestal and Tower Handles	127
How to Order Legs in Dash	128

TABLETOPS

Resting Tabletops	129
Freestanding Tabletops	131
Resting Wedge Tabletops	132
Return Tabletops	133
Resting Bridge	134
Freestanding Bridge	134

MY-HITE WORKSURFACES

Rectangular	135
Corner	136
90° Extended Curved Corner	137
D-Shaped	140
Wedge	141
120° Corner 90° Ends	142
120° Corner 120° Ends	142
Table Power Components	143

CREDENZAS

Non-powered Cabinet and Credenza	144
Two Section Credenzas	145
Shared Credenzas	147
Three Section Credenzas	148
Credenza Power: Single Circuit	152
Credenza Power: 4 Circuit	153

STORAGE

Pedestals	154
Overhead Storage	155
Shared Overhead Storage	157
Towers	159

INTERRA CONNECTORS

Panel Mount Kit	161
Credenza Bracket	161
Corner Bracket	161

CONFERENCE TABLES

Round	162
Square	163

COMPONENTS

Modesty Panel	164
Wall Mounted Tackboard	165
Privacy Screen, Fabric	166
Privacy Screen	167

ACCESSORIES

Tabletop Shelf	168
Printer Slide-out Shelf	168
LED Tasklight	168

KEYED ALIKE

Single Monitor Arm	169
Dual Monitor Arm	169

Terms and Conditions

PRICES

All Prices are F.O.B. destination. We reserve the right to change prices without prior notice.

TERMS

Net 30 days from date of invoice with established terms. Invoices are delinquent if not paid 30 days from date of invoice. In the event timely payment is not made, interest will be charged at the rate of 1.5% per month on delinquent accounts. Buyers will also be liable for normal collection costs and attorney's fee.

ORDERS

Orders are only accepted by issuance of P.O., and are subject to the terms set forth herein and on our order acknowledgment. It is the responsibility of the buyer to review our acknowledgment for accuracy, and to notify Friant within 48 hours from the acknowledgment date of any discrepancies. Please send all purchase orders to orders@friant.com or fax to (510) 535-6895. If you have any questions, please contact Customer Service at (510) 535-5113.

ORDER CHANGE – CANCELLATIONS

Our order confirmation is final and binding. Any order change or cancellation is subject to our ability to conform. Such requests are to be made in writing to our office and may be subject to a fee.

LEAD TIMES

Lead times are subject to availability.

RETURNS

No merchandise may be returned without our written consent and shipping instructions. Unauthorized returns will not be accepted and will be returned freight collect. All packages are labeled with contents, and it is the customer's responsibility to check box labels against the packing list for accuracy before opening. If correctly labeled and undamaged product is removed from its original packaging, Friant will not accept its return.

CLAIMS

We are not responsible for damage suffered in transit. Merchandise should be inspected for possible freight damage upon delivery. Claims for damage or shortages should be filed by the consignee with the carrier within 5 days of delivery. You are also protected for "concealed damage" if you file claim with the carrier within 5 days of delivery. All claims against Friant for defects, errors or shortages must be made by Buyer in writing within 10 days after delivery. Failure to make such a claim shall constitute full acceptance. All claims must be pre-approved and with a P.O. issued to Friant before reimbursement and/or reinstallation will be granted.

SHIPPING

Friant generally palletizes, boxes and/or shrink wraps its products. If Buyer requests additional packaging or special shipping, extra charges will apply. Buyer obtains title to products and assumes the risk of loss for them upon shipment from Friant's plant.

PARTIAL SHIPMENTS

We will make every attempt to ship orders complete and on schedule. However, we reserve the right to make partial shipments as merchandise is ready. Invoices covering these partial shipments are to be paid as they become due.

SHIPPING AND PREPAID FREIGHT

Unless otherwise instructed, we reserve the option to ship by what is, in our opinion, the best possible way. Upon request, we will prepay and add freight for accounts with established credit. Please see our web site for estimated freight times.

DELIVERY

We are not liable for delay or failure of delivery due to strikes and/or differences with workmen, war, riot, fire, compliance with government regulations, acts of nature, failure or delays of sources of supply, or any other causes beyond our control.

CONSTRUCTION – SPECIFICATIONS

All items are produced to price list specifications unless otherwise advised. All dimensions shown are approximate. Manufacturer reserves the right to make modifications and/or improvements without prior notice.

Terms and Conditions continued

COMPLIANCE WITH LAW

Purchaser is solely responsible for compliance with all applicable Federal, State and Local laws, ordinances, regulations, rules and standards relating to the installation, maintenance, use and operation of products.

RIGHTS AND WARRANTIES – LIMITED LIFETIME WARRANTY

This warranty is given to the initial purchaser and is valid from the date of purchase, for as long as the product is owned by the initial purchaser. This warranty covers defects in material and craftsmanship found during normal usage of the product during the warranty period. If the product is defective, and if written notice of the defect is given to Friant & Associates within the applicable warranty period, Friant & Associates, at its option, will either repair or replace the defective product with a comparable component or product. This warranty applies to all products except as noted below.

High wear parts, such as fabrics, other covering material/finishes, foam, drawer slides, hinges, locks, etc. are warranted for One (1) Year. This warranty does not apply to damage caused by a carrier, alteration to the product not expressly authorized by Friant & Associates, nor to product considered to be of a consumable nature such as bulbs, light ballasts, etc.

WARRANTY EXCEPTIONS

- Natural variations in wood grain, figure or the presence of character marks
- Matching of colors, grains, textures
- Changes in surface finishes due to aging or exposure to light
- Damage, marking or staining of surfaces due to contact with rubber or similar compounds
- Damage from sharp objects or imprinting from writing instruments, computer equipment or prolonged exposure to fluids or sun
- Checking or delaminating due to changes in temperature or improper care or storage
- Damage caused by misuse or improper care

Friant & Associates does not guarantee the matching of colors, grain or texture, except to within commercially acceptable standards.

A product will not be considered defective, and Friant & Associates will not be obligated to replace it, if it is not installed in a proper manner (i.e., product not leveled, not secured properly, etc.).

Except as noted above, Friant & Associates makes no express or implied warranties as to any product, and in particular makes no warranty of fitness for any particular use. At Friant & Associates' option, product repair and/or replacement are the customer's exclusive remedy for any and all product defects.

Friant & Associates shall not be liable for consequential, economic or incidental damages arising from any product defect.

Care and Maintenance

Friant & Associates' finish provides excellent stain and mar resistance. Care should be exercised when cleaning. The following precautions will help keep the product looking new:

- Dust all surfaces on a regular basis with a soft damp cloth. Do not use spray polishes – especially those containing silicone.
- Lift all objects from the surface when moving – never drag objects across the surface.
- Metal objects should be kept from contacting the surface.

CALIFORNIA PROP 65 WARNING

Products in this catalog may contain a chemical known to the state of California to cause cancer, or birth defects or other reproductive harm.

Standard Fabrics

Standard Panel Fabrics

PASSAGE		TERRAIN		SLIDE	
PF601-1	Gull	PF701-1	Cloud	PF101-1	Caramel
PF601-2	Grove	PF701-2	Dusk	PF101-2	Slate
PF601-3	Wing	PF701-3	Wave	PF101-3	Pewter
PF601-4	Quartz	PF701-4	Earth	PF101-4	Verde
PF601-5	Leaf			PF101-5	Twilight
PF601-6	Brook			PF101-6	Vintage
PF601-7	Trail			PF101-7	Java
PF601-8	Amber			PF101-8	Latte
				PF101-9	Sterling
				PF101-10	Crema
				PF101-11	Breeze
				PF101-12	Stem

NOTE: Fabric direction as per Friant's fabric card only.

Order Advantage fabric cards online at www.friant.com/samples. All textiles listed above are 66" wide. Colors may vary slightly between dye lots.

Additional fabrics are available for an upcharge. Contact Customer Service for pricing.

Passage and Terrain fabrics can not be used on mobile cushions.

SKY		SILKY		STICKS	
PF301-1	Terra	PF401-1	Natural	PF501-1	Smoke
PF301-2	Birch	PF401-2	Parids	PF501-2	Almond
PF301-3	Moss	PF401-3	Overcast	PF501-3	Sage
		PF401-4	Field	PF501-4	Straw
		PF401-5	Graphite		

Standard Paint Trim

PAINT TRIM (legs)

CW Cloud White
SV Silver

Standard Finishes

These laminates are used for the casing, fronts and worksurfaces on the Dash System

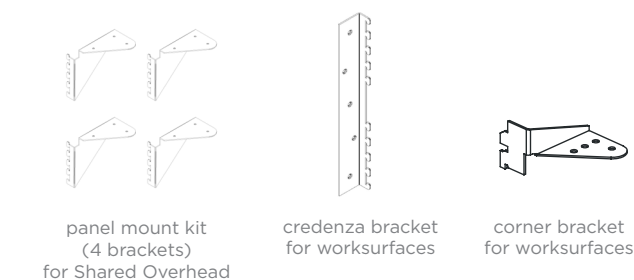
Note: All grommets are CW

- M1 Light Maple
- M2 Light Cherry
- M3 Medium Cherry
- M4 Dark Mahogany
- M5 Light Mahogany
- M6 Light Gray
- M7 Off White
- M8 Gray Specks
- M9 Cloud White
- M10 Espresso
- M11 Light Walnut
- M12 Medium Walnut
- M13 Licorice
- M14 Carob
- M15 Mousse
- M16 Tundra
- M17 Cocoa
- M18 Capitan
- M19 Fog
- M20 Sandstone
- M21 Medium Oak
- M22 Harbor
- M23 Bark
- M24 Tarmac
- M25 Winter
- M26 Storm
- M27 Medium Ash
- M28 Arctic
- M29 Raven

Helpful Tips

combining with Interra

If your configuration is a mix of Interra and Dash, you will likely need to order connecting parts. See page 131 to order the panel mount kit, credenza bracket, or corner bracket.



bridge tabletop with credenza

When a bridge tabletop is used on a credenza, the clear user space is not the full width of the tabletop.

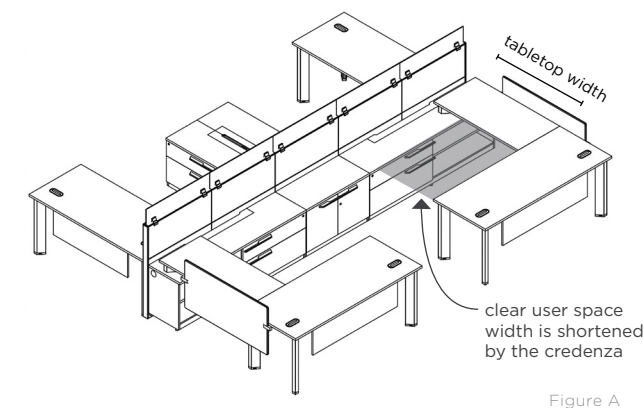


Figure A

When used with an 18" deep credenza, the clear user space is 12" less than the width of the bridge tabletop. When used with a 24" deep credenza, the clear user space is 18" less than the width of the bridge tabletop.

Example: When ordering a 48" wide bridge tabletop for use with an 18" deep credenza, the clear user space is 36" wide.

tabletop measurements

To determine your tabletop width in this configuration, take the measurement from the end of the panel to the middle of your shared overhead and subtract 6".

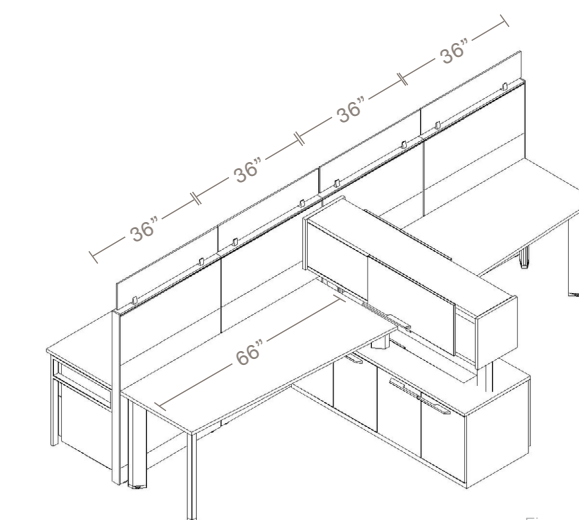
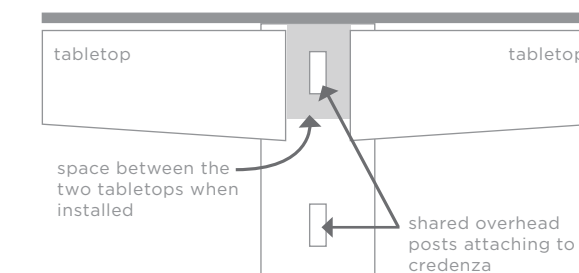


Figure B1

3-D View

Example: When the measurement from the end of the panel to the middle of the shared overhead storage is 72" wide, order a 66" wide tabletop. The two tabletops have a 12" space between them.

In that space is the post attaching the shared overhead to the shared credenza.



2-D View

Figure B2

Powering Dash

ordering power for a credenza

Credenzas may be ordered with either single circuit plug-in or 4-circuit hardwire power. See below for an ordering guide:

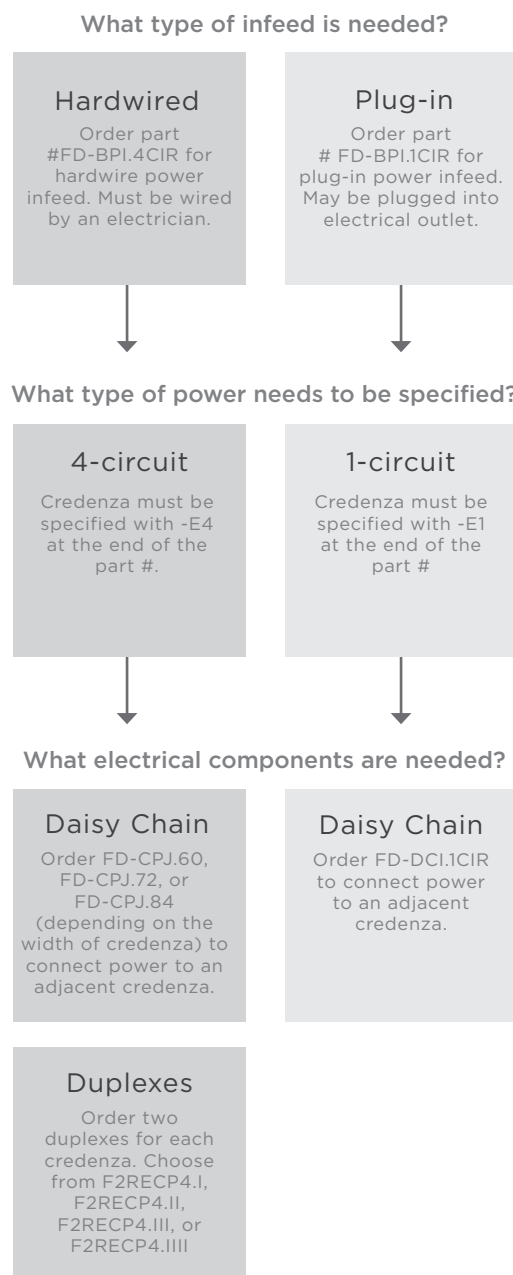


Figure C

power distribution options

Power single credenza

Order powered credenza by specifying -E1 or -E4
Single circuit power -E1 shown

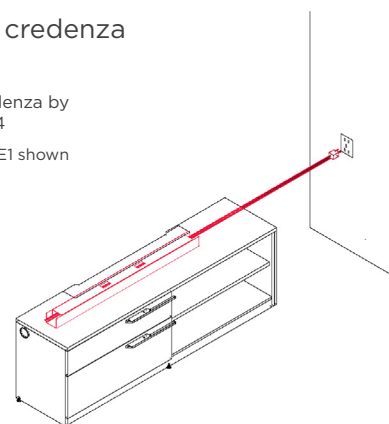


Figure D1

Powered Interra Panels

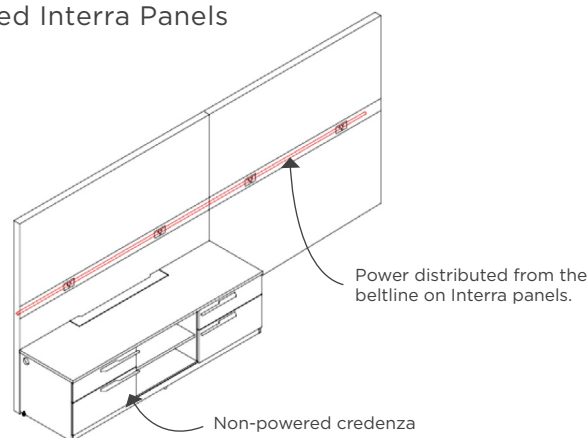


Figure D2

Daisy Chained Powered Credenza

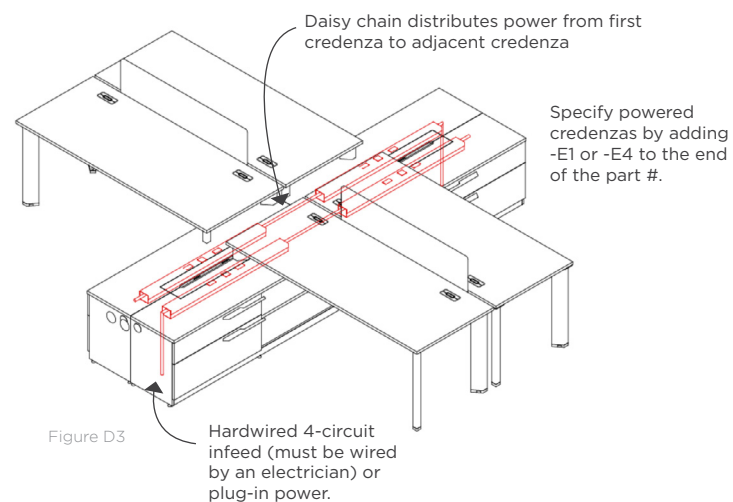


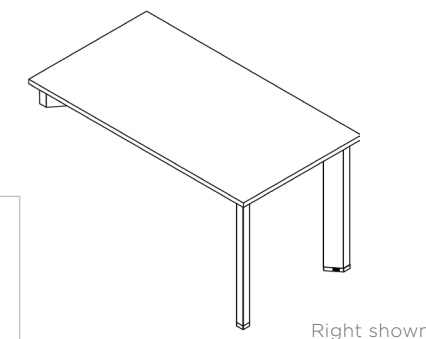
Figure D3

How to Order Dash

1 Select a tabletop

Options include freestanding, resting and bridge. Also, choose from multiple leg options. See pages 108-109 for leg options. The resting and bridge tabletops require support from a credenza. See page 112-116 for sizes available.

Choose	Specify Part #	Specify Finish	Specify Legs
	FD-DA-3054-R	Light Maple	Post

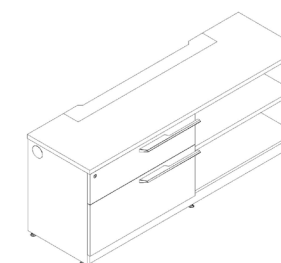


2 Select a credenza

Serves as both storage and support for unsupported tabletop styles.

widths available: **36", 48", 60", 72" and 84"**
options available: doors only combinations of doors, drawers and shelves

Choose	Specify Part #	Specify Finish for Top, Casing & Front
	FD-LC-1860-1L*	Light Maple

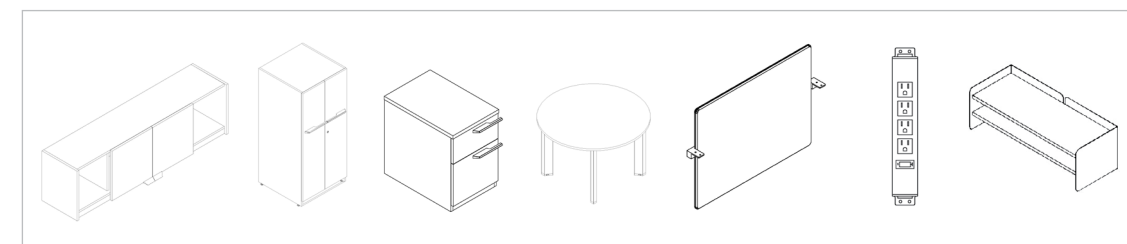


*Note the left (L) and right (R) options in the part numbers when ordering.

3 Select additional items to complete your system

Options include:

Overhead Storage Towers Pedestals Tables Privacy Screens Power Accessories



Specify finish (be sure to note the left (L) and right (R) options in the part numbers, when applicable)

Grommet Locations - Adding a Grommet to Dash Tabletops

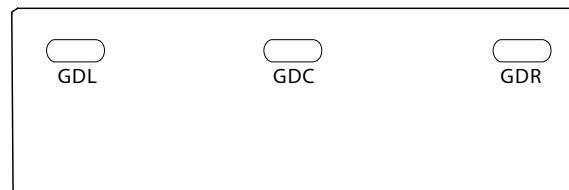
1 Select a Dash worksurface

Dash tops do NOT come with grommets standard. To have a grommet included, please use the two letter codes shown here to specifying location.

Choose	Specify Part #	Specify Finish
	FD-DA-2454-L	Bark

2 Select a grommet location

Specify positioning by using the two letter location.



CODE	POSITION
GL	9" from left side - 5.5" from rear
GR	9" from right side - 5.5" from rear
GC	Centered from side to side - 5.5" from rear

Dimensions are measured from grommet center to top edge:

For other grommet locations, please call Friant customer service.

Grommet Locations - My-Hite Tabletops

1 Select a My-Hite worksurface

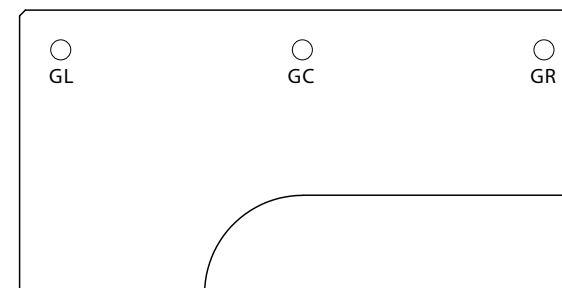
My-Hite tops (located on pages 127-134) have optional grommets. Please use the two letter codes shown here when specifying location of grommets.

Grommets are 3" round with cover standard.

Choose	Specify Part #	Specify Finish
	FDECCWS.23345823R	Bark

2 Select a grommet location

Specify positioning by using the two letter location.

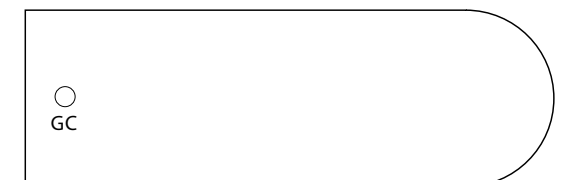
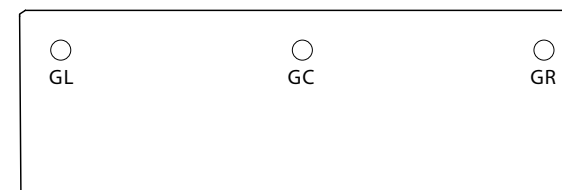


CODE	POSITION
GL	4" from left side - 4" from rear
GR	4" from right side - 4" from rear
GC	Centered from side to side - 4" from rear

Dimensions are measured from grommet center to top edge:

For other grommet locations, please call Friant customer service.

Please Note: Only the GC location is available on the D-Shaped worksurface.



Fixed and Mobile Pedestals

FRIANT pedestals are made of steel and come with a variety of options for both supporting and mobile versions. Choose the type of storage you need (box drawer and filing), your choice of color (cloud white or burnt umber), and the type of handle that you prefer (page 127). See all Pedestals starting on page 154.

SUPPORTING PEDESTALS

Top of pedestal is open to attach beneath the worksurface.

BACK AND SIDES

Finished back and sides are standard.

HANDLES

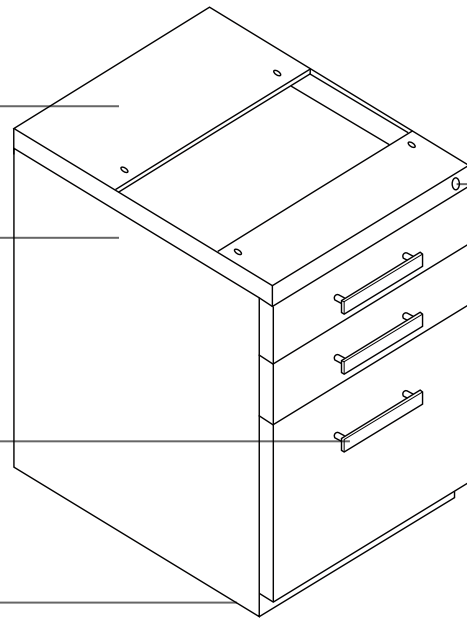
FRIANT has 4 different handle options to choose from. (Page 127)

LEVELLING GLIDES

Levelling glides allow you install and level furniture securely on uneven flooring.

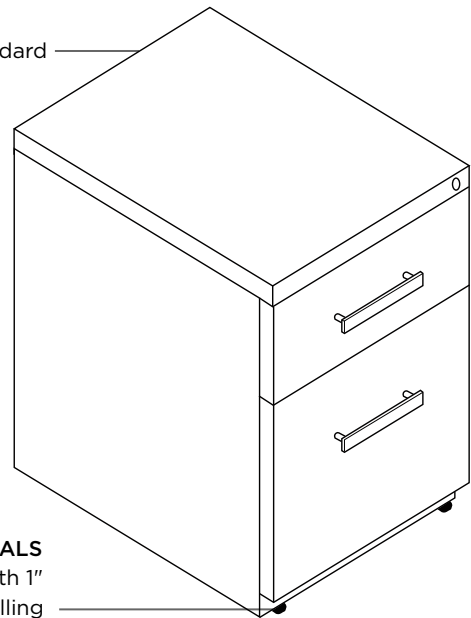
LOCKING

Keyed alike locks are available with sets of 4 or 6 keys.



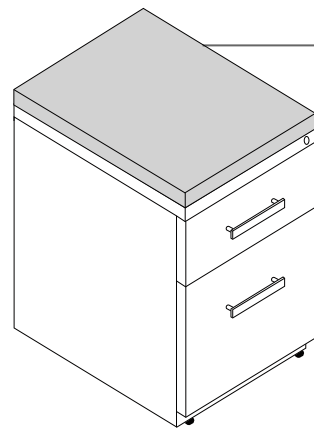
TOP

Finished top cap is standard on mobile pedestals.



OPTIONAL CUSHION

Mobile pedestal can be topped with a fabric covered cushion for optimal multi-usage. (Page 154)



SIDE TO SIDE FILE BAR

Order bar to filing letter or legal size folder. (Page 17)

MOBILE PEDESTALS

Ship standard with 1" casters for full rolling range of motion.

Towers

FRIANT towers are made of steel and come with a variety of options for different storage needs. Choose your choice of color, M1-M29 (Page 117), for the casing and doors, and the type of handle that you prefer. See all Towers starting on page 159.

TOP

Finished top is standard.

CASINGS

Choose your color for the casing from 29 different laminate options (Page 117).

LOCKING

Keyed alike locks are available in 4 and 6 key variations.

WARDROBE

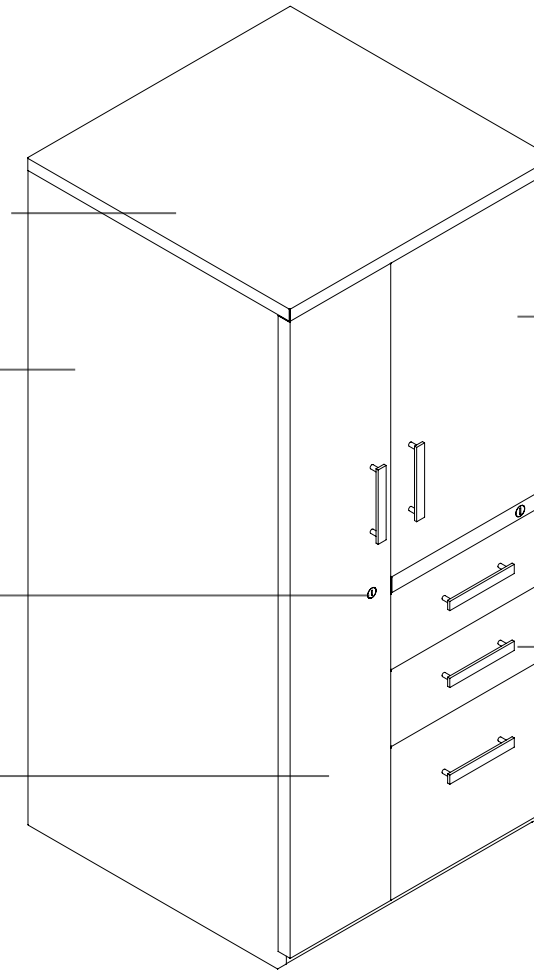
Wardrobe can be ordered on either right or left side

DOORS AND DRAWERS

Choose your color for the doors and drawers from 29 different laminate options (Page 117).

HANDLES

FRIANT has 4 different handle options to choose from. (Page 127)



Freestanding Credenza Units

FRIANT credenzas come in a wide variety of configurations and sizes. Choose the type of storage you need, your choice of laminate finish in three areas: top, front and casing, the type of feet, and the type of handle that you prefer (Page 127). See all freestanding credenza units starting on page 144.

TOP, SIDES AND CASING

All three parts of the credenza can be ordered with different M1-M29 (Page 117) laminates. See page 12 for laminate options.

HANDLES

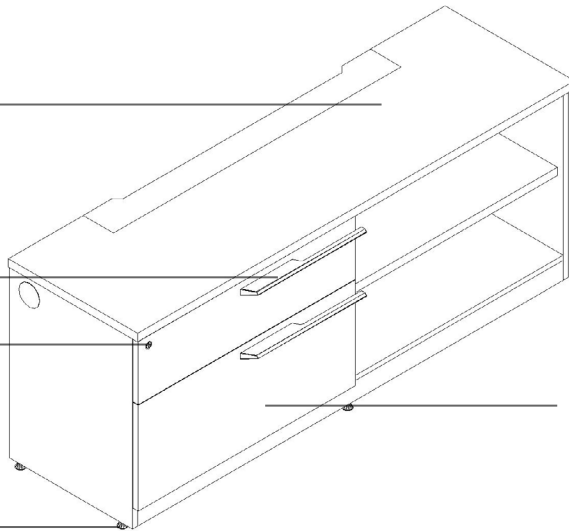
FRIANT has 4 different handle options to choose from. (Page 127)

LOCKING

Keyed alike locks are available in 4 and 6 key variations.

CREDENZA FEET

There are multiple feet options for the credenza, some in multiple finishes.



DRAWERS

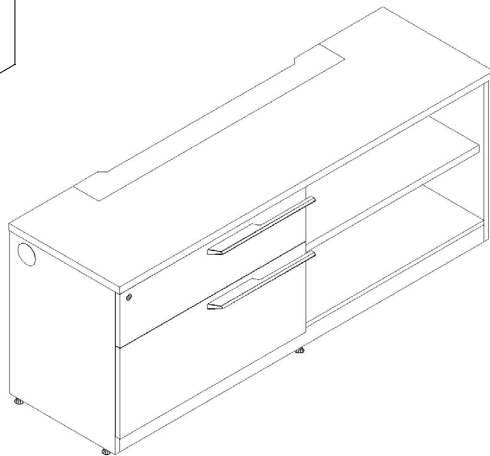
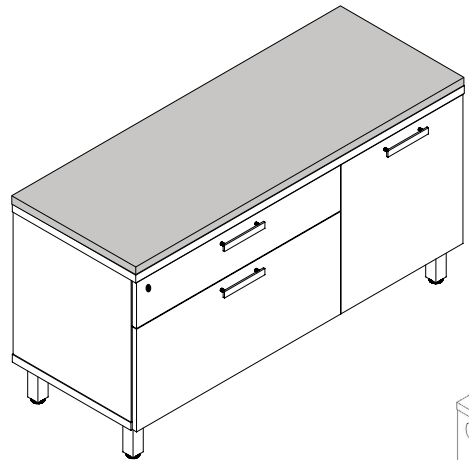
Drawers can be ordered on either left or right side

OPTIONAL CUSHION

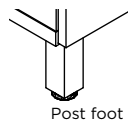
Freestanding credenzas can be topped with a foam cushion for optimal multi-usage. (Page 150)

OPEN SHELVING

Credenza unit may be ordered with open shelving. (Page 145)



CREDENZA FEET OPTIONS



Post foot



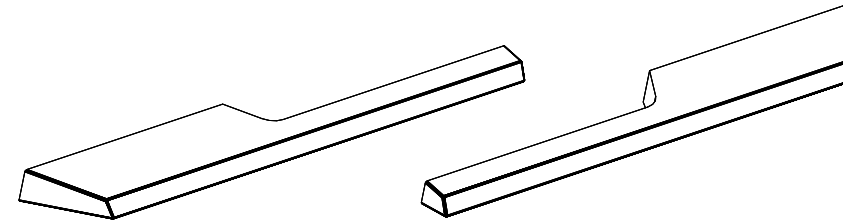
Taper foot (CW, BU, SV)



Inset foot (CW, BU, SV)

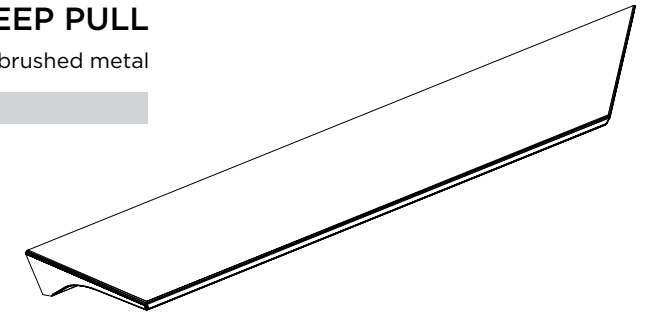
Credenza, Pedestal and Tower Handles

You have multiple handle options for handles for your FRIANT storage. Please specify which handle you would like when ordering. For any questions, please call Friant Customer Service or your sales rep.



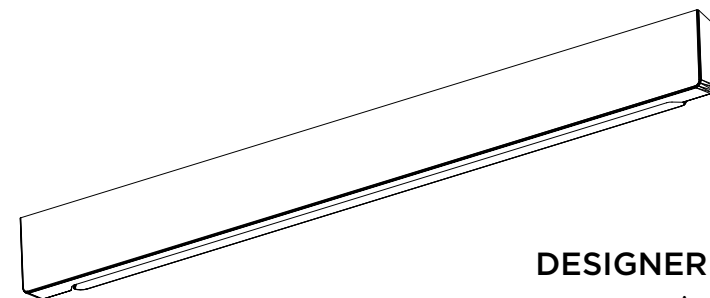
SWEEP PULL

Available in brushed metal



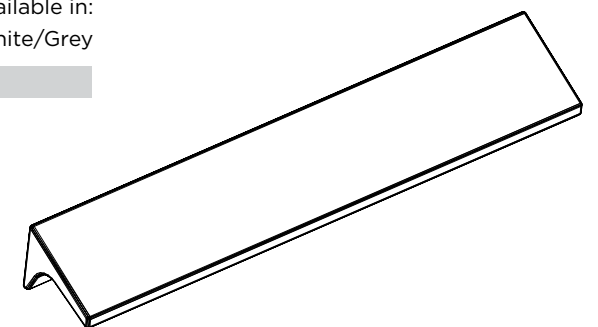
WEDGE PULL

Available in brushed metal



DESIGNER PULL

Available in: Cloud White/Red, Cloud White/Green, Cloud White/Grey



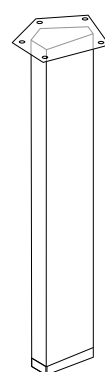
SLANT PULL

Available in brushed metal

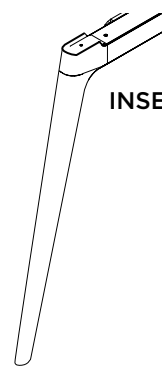
How to Order Legs in Dash

1 Select a leg style

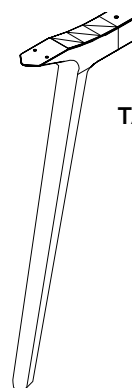
Choose from Post, Inset and Taper.



POST LEG



INSET LEG



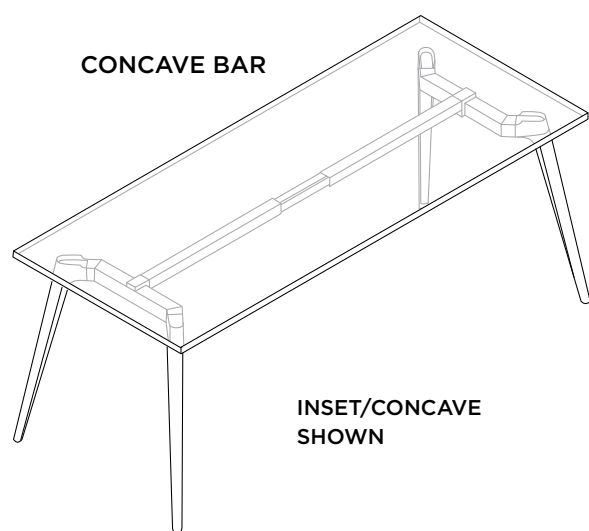
TAPER LEG

2 If you select a Post leg - you're all set!

If you select an Inset or Taper leg, you need to choose a support bar.

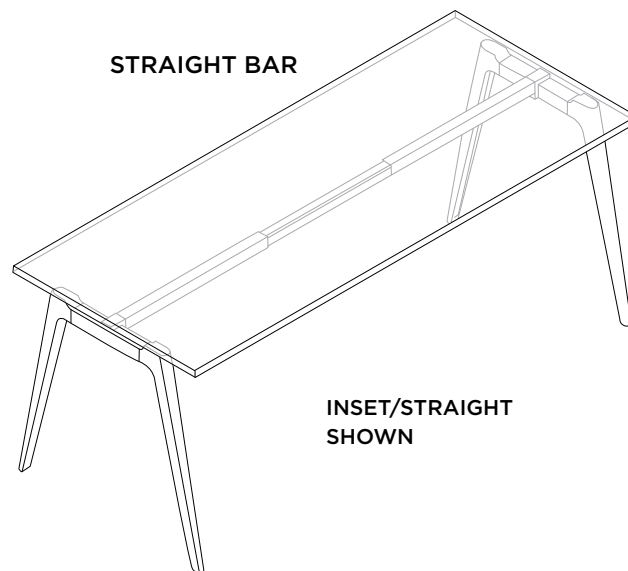
The concave and straight bars are available on freestanding tabletops and on resting and return tabletops as well.

FREESTANDING TABLETOPS (4 LEGS)



CONCAVE BAR

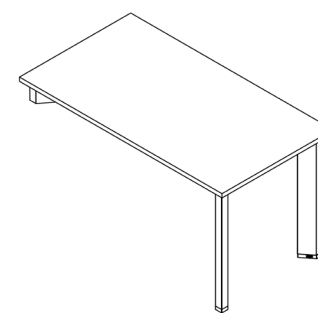
INSET/CONCAVE SHOWN



STRAIGHT BAR

INSET/STRAIGHT SHOWN

Resting Tabletops



Right shown

DESCRIPTION

Resting tabletop has legs on one side, while the other side rests on a credenza.

NOTES

- Specify part # ending in -L or -R for the side with legs.
- Includes grommets in Cloud White.
- For full description of support leg options, see pages 108-109

SPECIFICATION OPTIONS

product #: see charts below
leg selection: Post, Taper, or Inset (See page 108-109)
support bar: Concave/Straight
tabletop finish: See page 117
support finish: CW, BU, SV

ORDER EXAMPLE

product #: FD-DA-3054-L
leg selection: Taper (\$928 + \$571 = \$1,499)
support bar: Concave
support finish: CW
tabletop finish: Harbor

24" DEPTH

PART #	HEIGHT	WIDTH	DEPTH	LEG SELECTION				
				POST LEG	INSET/ CONCAVE	INSET/ STRAIGHT	TAPER/ CONCAVE	TAPER/ STRAIGHT
FD-DA-2454-L	29"	54"	24"	\$966	+ \$294	\$283	\$391	\$381
FD-DA-2454-R	29"	54"	24"	\$966	+ \$294	\$283	\$391	\$381
FD-DA-2460-L	29"	60"	24"	\$1,003	+ \$299	\$304	\$397	\$403
FD-DA-2460-R	29"	60"	24"	\$1,003	+ \$299	\$304	\$397	\$403
FD-DA-2466-L	29"	66"	24"	\$1,044	+ \$320	\$309	\$419	\$407
FD-DA-2466-R	29"	66"	24"	\$1,044	+ \$320	\$309	\$419	\$407
FD-DA-2472-L	29"	72"	24"	\$1,080	+ \$325	\$318	\$424	\$416
FD-DA-2472-R	29"	72"	24"	\$1,080	+ \$325	\$318	\$424	\$416
FD-DA-2478-L	29"	78"	24"	\$1,197	+ \$574	+ \$555	+ \$678	+ \$659
FD-DA-2478-R	29"	78"	24"	\$1,197	+ \$574	+ \$555	+ \$678	+ \$659

30" DEPTH

PART #	HEIGHT	WIDTH	DEPTH	POST LEG	INSET/ CONCAVE	INSET/ STRAIGHT	TAPER/ CONCAVE	TAPER/ STRAIGHT
FD-DA-3054-R	29"	54"	30"	\$1,071	+ \$309	+ \$298	+ \$412	+ \$401
FD-DA-3060-L	29"	60"	30"	\$1,112	+ \$315	+ \$320	+ \$418	+ \$424
FD-DA-3060-R	29"	60"	30"	\$1,112	+ \$315	+ \$320	+ \$418	+ \$424
FD-DA-3066-L	29"	66"	30"	\$1,157	+ \$337	+ \$325	+ \$441	+ \$428
FD-DA-3066-R	29"	66"	30"	\$1,157	+ \$337	+ \$325	+ \$441	+ \$428
FD-DA-3072-L	29"	72"	30"	\$1,197	+ \$342	+ \$335	+ \$446	+ \$438
FD-DA-3072-R	29"	72"	30"	\$1,197	+ \$342	+ \$335	+ \$446	+ \$438
FD-DA-3072-L	29"	78"	30"					
FD-DA-3078-R	29"	78"	30"					

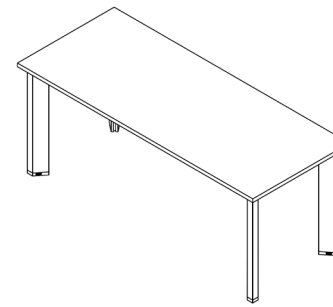
35" DEPTH

PART #	HEIGHT	WIDTH	DEPTH	POST LEG	INSET/ CONCAVE	INSET/ STRAIGHT	TAPER/ CONCAVE	TAPER/ STRAIGHT
FD-DA-3572-L	29"	72"	35"	\$1,268	+ \$581	+ \$562	+ \$685	+ \$666
FD-DA-3572-R	29"	72"	35"	\$1,268	+ \$581	+ \$562	+ \$685	+ \$666
FD-DA-3578-L	29"	78"	35"	\$1,331	+ \$574	+ \$555	+ \$678	+ \$659
FD-DA-3578-R	29"	78"	35"	\$1,331	+ \$574	+ \$555	+ \$678	+ \$659

42" DEPTH

PART #	HEIGHT	WIDTH	DEPTH	POST LEG	INSET/ CONCAVE	INSET/ STRAIGHT	TAPER/ CONCAVE	TAPER/ STRAIGHT
FD-DA-4272-L	29"	72"	42"	\$1,251	+ \$591	+ \$572	+ \$694	+ \$675
FD-DA-4272-R	29"	72"	42"	\$1,251	+ \$591	+ \$572	+ \$694	+ \$675
FD-DA-4278-L	29"	78"	42"	\$1,312	+ \$583	+ \$564	+ \$686	+ \$667
FD-DA-4278-R	29"	78"	42"	\$1,312	+ \$583	+ \$564	+ \$686	+ \$667

Freestanding Tabletops



DESCRIPTION

Tabletop has legs on all sides and is free-standing.

SPECIFICATION OPTIONS

product #: see charts below
leg selection: Post, Taper, or Inset (See page 108-109)
support bar: Concave/Straight
tabletop finish: See page 117
support finish: CW, BU, SV

NOTES

- Includes grommets in Cloud White.
- For full description of support leg options, see pages 108-109

ORDER EXAMPLE

product #: FD-DA-3054-B
leg selection: Taper (\$1,210 + \$990 = \$2,200)
support bar: Concave
support finish: CW
tabletop finish: Harbor

24" DEPTH

PART #	HEIGHT	WIDTH	DEPTH	LEG SELECTION				
				POST LEG	INSET/ CONCAVE	INSET/ STRAIGHT	TAPER/ CONCAVE	TAPER/ STRAIGHT
FD-DA-2448-B	29"	48"	24"	\$1,150	+ \$744	+ \$712	+ \$941	+ \$908
FD-DA-2454-B	29"	54"	24"	\$1,193	+ \$733	+ \$742	+ \$930	+ \$939
FD-DA-2460-B	29"	60"	24"	\$1,284	+ \$676	+ \$684	+ \$873	+ \$881
FD-DA-2466-B	29"	66"	24"	\$1,284	+ \$676	+ \$684	+ \$873	+ \$881
FD-DA-2472-B	29"	72"	24"	\$1,287	+ \$747	+ \$923	+ \$943	+ \$1,120
FD-DA-2478-B	29"	78"	24"	\$1,355	+ \$1,015	+ \$978	+ \$1,222	+ \$1,185

30" DEPTH

PART #	HEIGHT	WIDTH	DEPTH	POST LEG	INSET/ CONCAVE	INSET/ STRAIGHT	TAPER/ CONCAVE	TAPER/ STRAIGHT
FD-DA-3054-B	29"	54"	30"	\$1,210	+ \$783	+ \$749	+ \$990	+ \$956
FD-DA-3060-B	29"	60"	30"	\$1,256	+ \$772	+ \$781	+ \$979	+ \$988
FD-DA-3066-B	29"	66"	30"	\$1,352	+ \$712	+ \$720	+ \$919	+ \$927
FD-DA-3072-B	29"	72"	30"	\$1,355	+ \$786	+ \$972	+ \$993	+ \$1,179
FD-DA-3078-B	29"	78"	30"	\$1,355	+ \$1,015	+ \$978	+ \$1,222	+ \$1,185

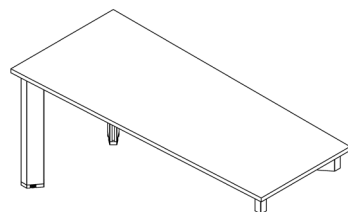
35" DEPTH

PART #	HEIGHT	WIDTH	DEPTH	POST LEG	INSET/ CONCAVE	INSET/ STRAIGHT	TAPER/ CONCAVE	TAPER/ STRAIGHT
FD-DA-3572-B	29"	72"	35"	\$1,433	+ \$1,030	+ \$992	+ \$1,237	+ \$1,199
FD-DA-3578-B	29"	78"	35"	\$1,504	+ \$1,015	+ \$978	+ \$1,222	+ \$1,185

42" DEPTH

PART #	HEIGHT	WIDTH	DEPTH	POST LEG	INSET/ CONCAVE	INSET/ STRAIGHT	TAPER/ CONCAVE	TAPER/ STRAIGHT
FD-DA-4272-B	29"	72"	42"	\$1,414	+ \$1,042	+ \$1,004	+ \$1,249	+ \$1,211
FD-DA-4278-B	29"	78"	42"	\$1,483	+ \$1,026	+ \$988	+ \$1,233	+ \$1,195

Resting Wedge Tabletops



DESCRIPTION

Resting Wedge tabletops have legs on one side, while the other side rests on a credenza. One side has a 30" depth while the opposite has a 24" depth.

NOTES

- Specify part # ending in -L or -R for the side with a 30" depth. The opposite end will have a 24" depth.
- Includes grommets in Cloud White
- For full description of support leg options, see pages 108-109

SPECIFICATION OPTIONS

product #: see charts below
leg selection: Post, Taper, or Inset (See page 108-109)
support bar: Concave/Straight
tabletop finish: See page 117
support finish: CW, BU, SV
left or right: L for left, R for Right

ORDER EXAMPLE

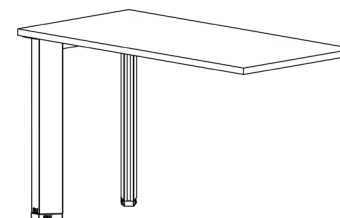
product #: FD-DB-3054-L
leg selection: Taper (\$928 + \$571 = \$1,499)
support bar: Concave
support finish: CW
tabletop finish: Harbor
left or right: L for left side 30" depth

30" DEPTH

LEG SELECTION

PART #	HEIGHT	WIDTH	DEPTH	LEG SELECTION				
				POST LEG	INSET/ CONCAVE	INSET/ STRAIGHT	TAPER/ CONCAVE	TAPER/ STRAIGHT
FD-DB-3054-L	29"	54"	30"	\$928	+ \$467	+ \$493	+ \$571	+ \$597
FD-DB-3054-R	29"	54"	30"	\$928	+ \$467	+ \$493	+ \$571	+ \$597
FD-DB-3066-L	29"	66"	30"	\$999	+ \$ 510	+ \$492	+ \$613	+ \$ 596
FD-DB-3066-R	29"	66"	30"	\$999	+ \$ 510	+ \$492	+ \$613	+ \$ 596

Return Tabletops



DESCRIPTION

Return tabletops attach to freestanding tabletops.

NOTES

- Specify part # ending in -L or -R for the side of the return.
- For full description of support leg options, see pages 108-109

SPECIFICATION OPTIONS

product #: see charts below
leg selection: Post, Taper, or Inset (See page 108-109)
support bar: Concave/Straight
tabletop finish: See page 117
support finish: CW, BU, SV
left or right: L for left, R for Right

ORDER EXAMPLE

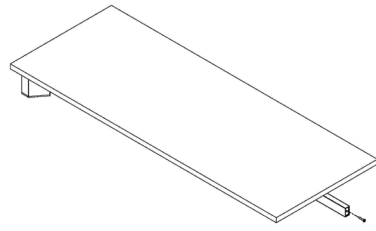
product #: FD-DA-BT-2430-L
leg selection: Taper (\$584 + \$539 = \$1,123)
support bar: Concave
support finish: CW
tabletop finish: Harbor
left or right: L for left side return

24" DEPTH

LEG SELECTION

PART #	HEIGHT	WIDTH	DEPTH	LEG SELECTION				
				POST LEG	INSET/ CONCAVE	INSET/ STRAIGHT	TAPER/ CONCAVE	TAPER/ STRAIGHT
FD-DA-BT-2430-L	29"	30"	24"	\$584	+ \$436	+ \$418	+ \$539	+ \$522
FD-DA-BT-2430-R	29"	30"	24"	\$584	+ \$436	+ \$418	+ \$539	+ \$522
FD-DA-BT-2436-L	29"	36"	24"	\$597	+ \$451	+ \$434	+ \$555	+ \$537
FD-DA-BT-2436-R	29"	36"	24"	\$597	+ \$451	+ \$434	+ \$555	+ \$537
FD-DA-BT-2442-L	29"	42"	24"	\$611	+ \$467	+ \$493	+ \$570	+ \$596
FD-DA-BT-2442-R	29"	42"	24"	\$611	+ \$467	+ \$493	+ \$570	+ \$596
FD-DA-BT-2448-L	29"	48"	24"	\$629	+ \$520	+ \$503	+ \$623	+ \$606
FD-DA-BT-2448-R	29"	48"	24"	\$629	+ \$520	+ \$503	+ \$623	+ \$606
FD-DA-BT-2454-L	29"	54"	24"	\$788	+ \$391	+ \$373	+ \$494	+ \$477
FD-DA-BT-2454-R	29"	54"	24"	\$788	+ \$391	+ \$373	+ \$494	+ \$477
FD-DA-BT-2460-L	29"	60"	24"	\$815	+ \$393	+ \$375	+ \$496	+ \$479
FD-DA-BT-2460-R	29"	60"	24"	\$815	+ \$393	+ \$375	+ \$496	+ \$479

Resting Bridge



DESCRIPTION

Bridge tabletops rest on a credenza on one side and connect to either a tabletop (-A option) or a tower (-B option).

NOTES

- For connecting to a tabletop, specify part # ending in "-A".
- For connecting to the side of a tower, specify part # ending in "-B". For 24" deep towers only.
- When used with an 18" deep credenza, the clear user space is 12" less than the width of the bridge tabletop. (Example: If ordering a 48" wide bridge tabletop for use with a 18" deep credenza, the clear user space is 36" wide.) See Figure A on page 110.

SPECIFICATION OPTIONS

product #: see charts below
tabletop finish: See page 117
paint: CW, SV, BU

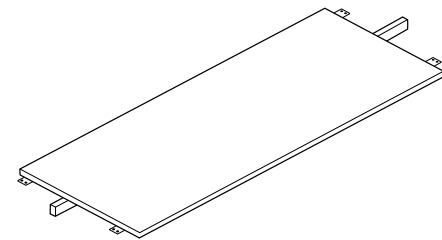
ORDER EXAMPLE

product #: FD-BR-2448-A
tabletop finish: Harbor
paint: SV

24" DEPTH

PART #	HEIGHT	WIDTH	DEPTH	LEG SELECTION	
				POST LEG	INSET/TAPER/CONCAVE/STRAIGHT (TO MATCH)
FD-BR-2448-A	29"	48"	24"	\$597	+\$0
FD-BR-2448-B	29"	48"	24"	\$592	+\$0
FD-BR-2454-A	29"	54"	24"	\$627	+\$0
FD-BR-2454-B	29"	54"	24"	\$622	+\$0
FD-BR-2460-A	29"	60"	24"	\$656	+\$0
FD-BR-2460-B	29"	60"	24"	\$650	+\$0
FD-BR-2466-A	29"	66"	24"	\$685	+\$0
FD-BR-2466-B	29"	66"	24"	\$680	+\$0

Freestanding Bridge



DESCRIPTION

Bridge that connects two freestanding Dash tabletops.

NOTES

SPECIFICATION OPTIONS

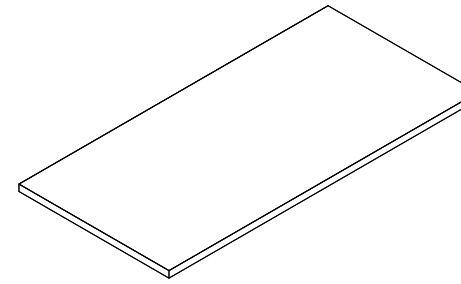
product #: see charts below
worksurface finish: see page 105
paint: CW only

ORDER EXAMPLE

product #: FD-BR-2436-C
worksurface finish: Harbor

PART #	DEPTH	LENGTH	PRICE	NOTES
FD-BR-2436-C	24"	36"	\$537	
FD-BR-2442-C	24"	42"	\$567	
FD-BR-2448-C	24"	48"	\$597	

Rectangular Worksurfaces For Use w/ MY-HITE Bases



DESCRIPTION

Worksurface top only, for use with height adjustable base within workstation application

NOTES

- Add circular grommet (add \$75 list) Specify GL, GC, GR
- Order base separately from MY-HITE pricebook

SPECIFICATION OPTIONS

product #: see charts below
top, edge finish: worksurface finish:
 See page 117

ORDER EXAMPLE

product #: FDRWS.2460
edge finish: DT Dark Tone, E12
worksurface finish: M22 Harbor
grommet: GC (Rear Center)

SQUARE EDGE RECTANGULAR WORKSURFACE

PART #	WIDTH	DEPTH	PRICE
FDRWS.2442	24"	42"	\$247
FDRWS.2448	24"	48"	\$252
FDRWS.2454	24"	54"	\$289
FDRWS.2460	24"	60"	\$315
FDRWS.2466	24"	66"	\$351
FDRWS.2472	24"	72"	\$360
FDRWS.2478	24"	78"	\$444
FDRWS.3042	30"	42"	\$317
FDRWS.3048	30"	48"	\$325
FDRWS.3054	30"	54"	\$368
FDRWS.3060	30"	60"	\$394
FDRWS.3066	30"	66"	\$440
FDRWS.3072	30"	72"	\$449
FDRWS.3078	30"	78"	\$552
FDRWS.3642	36"	42"	\$382
FDRWS.3648	36"	48"	\$389
FDRWS.3654	36"	54"	\$681
FDRWS.3660	36"	60"	\$689
FDRWS.3666	36"	66"	\$696
FDRWS.3672	36"	72"	\$704
FDRWS.3678	36"	78"	\$711

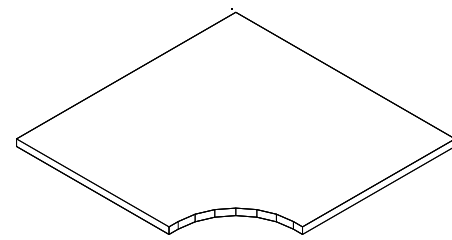
NOTES

- Sizes are actual for example FDRWS.2448 is 23^{7/8"} x 47^{7/8"}

DASH / TABLETOPS

DASH / TABLETOPS (MY-HITE)

Corner Worksurfaces For Use w/ MY-HITE Bases



DESCRIPTION

Corner work surface top only, for use with height adjustable base within workstation application.

NOTES

- Add circular grommet (add \$75 list) Specify GL, GC, GR
- Order base separately from MY-HITE pricebook

SPECIFICATION OPTIONS

product #: see charts below
top, edge finish: work surface finish:
 See page 117

ORDER EXAMPLE

product #: FDCWT.3048
edge finish: DT Dark Tone, E12
work surface finish: Light Maple, M1
grommet: GC (Rear Center)

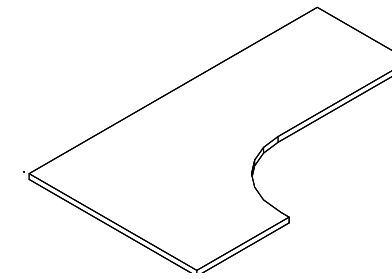
SQUARE EDGE CORNER WORKSURFACE

PART #	WIDTH	DEPTH	PRICE
FDCWT.2442	24"	42"	\$404
FDCWT.2448	24"	48"	\$427
FDCWT.3042	30"	42"	\$439
FDCWT.3048	30"	48"	\$462

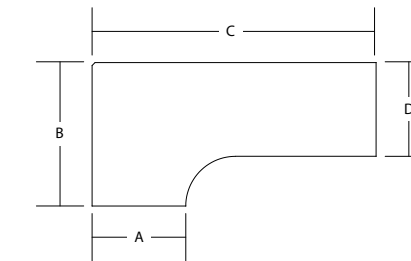
NOTES

- Sizes are actual for example FDCWT.3042 is 29^{7/8"} x 41^{7/8"}

90° Extended Curved Corner Worksurface For Use w/ MY-HITE Bases



Right Extended shown



DESCRIPTION

Laminate work surface with 3mm PVC edge

NOTES

- Work surface top only, for use with height adjustable base within workstation application
- See My-Hite pricebook for use inside a freestanding application
- Add circular grommet (add \$75 list) Specify grommet placement GL, GC, GR
- Top size reduced 1" in depth and 2" in width to fit within system workstation and prevent pinch points.
- We do not recommend using full size worktop in paneled workstation applications

SPECIFICATION OPTIONS

product #: see charts below
top, edge, work surface finish: See page 117
left or right extended: L for Left, R for Right

ORDER EXAMPLE

product #: FDECCWS.23345823L
top, edge finish: E10 Espresso
work surface finish: M11 Light Walnut

**23" D CONNECTING SIDE
 23" D EXTENSION
 34" D**

PART #	HEIGHT	A	B	C	D	PRICE
FDECCWS.23345823L	1.25"	23"	34"	58"	23"	\$475
FDECCWS.23345823R	1.25"	23"	34"	58"	23"	\$475
FDECCWS.23346423L	1.25"	23"	34"	64"	23"	\$529
FDECCWS.23346423R	1.25"	23"	34"	64"	23"	\$529
FDECCWS.23347023L	1.25"	23"	34"	70"	23"	\$538
FDECCWS.23347023R	1.25"	23"	34"	70"	23"	\$538
FDECCWS.23347623L	1.25"	23"	34"	76"	23"	\$645
FDECCWS.23347623R	1.25"	23"	34"	76"	23"	\$645

**29" D CONNECTING SIDE
 29" D EXTENSION
 34" D**

PART #	HEIGHT	A	B	C	D	PRICE
FDECCWS.29345829L	1.25"	29"	34"	58"	29"	\$520
FDECCWS.29345829R	1.25"	29"	34"	58"	29"	\$520
FDECCWS.29346429L	1.25"	29"	34"	64"	29"	\$573
FDECCWS.29346429R	1.25"	29"	34"	64"	29"	\$573
FDECCWS.29347029L	1.25"	29"	34"	70"	29"	\$582
FDECCWS.29347029R	1.25"	29"	34"	70"	29"	\$582
FDECCWS.29347629L	1.25"	29"	34"	76"	29"	\$689
FDECCWS.29347629R	1.25"	29"	34"	76"	29"	\$689

DASH / TABLETOPS (MY-HITE)

DASH / TABLETOPS (MY-HITE)

**23" D CONNECTING SIDE
23" D EXTENSION
40" D**

PART #	HEIGHT	A	B	C	D	PRICE
FDECCWS.23405823L	1.25"	23"	40"	58"	23"	\$571
FDECCWS.23405823R	1.25"	23"	40"	58"	23"	\$571
FDECCWS.23406423L	1.25"	23"	40"	64"	23"	\$643
FDECCWS.23406423R	1.25"	23"	40"	64"	23"	\$643
FDECCWS.23407023L	1.25"	23"	40"	70"	23"	\$652
FDECCWS.23407023R	1.25"	23"	40"	70"	23"	\$652
FDECCWS.23407623L	1.25"	23"	40"	76"	23"	\$791
FDECCWS.23407623R	1.25"	23"	40"	76"	23"	\$791

**29" D CONNECTING SIDE
29" D EXTENSION
40" D**

PART #	HEIGHT	A	B	C	D	PRICE
FDECCWS.29405829L	1.25"	29"	40"	58"	29"	\$615
FDECCWS.29405829R	1.25"	29"	40"	58"	29"	\$615
FDECCWS.29406429L	1.25"	29"	40"	64"	29"	\$687
FDECCWS.29406429R	1.25"	29"	40"	64"	29"	\$687
FDECCWS.29407029L	1.25"	29"	40"	70"	29"	\$696
FDECCWS.29407029R	1.25"	29"	40"	70"	29"	\$696
FDECCWS.29407629L	1.25"	29"	40"	76"	29"	\$835
FDECCWS.29407629R	1.25"	29"	40"	76"	29"	\$835

**23" D CONNECTING SIDE
23" D EXTENSION
46" D**

PART #	HEIGHT	A	B	C	D	PRICE
FDECCWS.23465823L	1.25"	23"	46"	58"	23"	\$580
FDECCWS.23465823R	1.25"	23"	46"	58"	23"	\$580
FDECCWS.23464623L	1.25"	23"	46"	64"	23"	\$652
FDECCWS.23464623R	1.25"	23"	46"	64"	23"	\$652
FDECCWS.23467023L	1.25"	23"	46"	70"	23"	\$667
FDECCWS.23467023R	1.25"	23"	46"	70"	23"	\$667
FDECCWS.23467623L	1.25"	23"	46"	76"	23"	\$813
FDECCWS.23467623R	1.25"	23"	46"	76"	23"	\$813

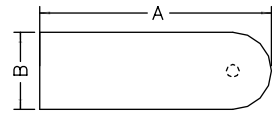
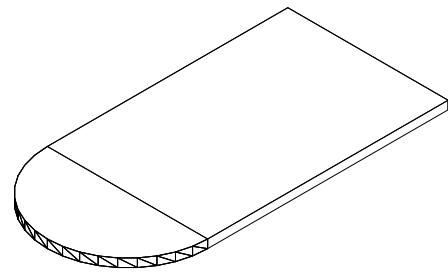
**29" D CONNECTING SIDE
29" D EXTENSION
46" D**

PART #	HEIGHT	A	B	C	D	PRICE
FDECCWS.29465829L	1.25"	29"	46"	58"	29"	\$625
FDECCWS.29465829R	1.25"	29"	46"	58"	29"	\$625
FDECCWS.29464629L	1.25"	29"	46"	64"	29"	\$696
FDECCWS.29464629R	1.25"	29"	46"	64"	29"	\$696
FDECCWS.29467029L	1.25"	29"	46"	70"	29"	\$712
FDECCWS.29467029R	1.25"	29"	46"	70"	29"	\$712
FDECCWS.29467629L	1.25"	29"	46"	76"	29"	\$857
FDECCWS.29467629R	1.25"	29"	46"	76"	29"	\$857

DASH / TABLETOPS (MY-HITE)

DASH / TABLETOPS (MY-HITE)

D-Shaped Worksurface For Use w/ MY-HITE Bases



DESCRIPTION

Worksurface top only, for use with height adjustable base within workstation application

NOTES

- Add grommet (add \$75 list)
Location is GC
- Order base separately from MY-HITE pricebook

Note: Top size reduced 1" in depth and 2" in width to fit within system workstation and prevent pinch points. We do not recommend using full size worktop in paneled workstation applications.

SPECIFICATION OPTIONS

product #: see charts below
top, edge finish: worksurface finish:
see page 117

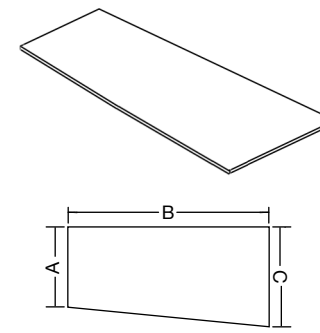
ORDER EXAMPLE

product #: FDEDSP.2346
edge finish: DT Dark Tone, E12
worksurface finish: Espresso, M10
grommet: GC (Rear Center)

SQUARE EDGE D-SHAPED

PART #	HEIGHT	A	B	C	D	PRICE
FDEDSP.2346	1.25"	46"	23"	—	—	\$369
FDEDSP.2358	1.25"	58"	23"	—	—	\$413
FDEDSP.2946	1.25"	46"	29"	—	—	\$405
FDEDSP.2958	1.25"	58"	29"	—	—	\$448
FDEDSP.2970	1.25"	70"	29"	—	—	\$491
FDEDSP.3570	1.25"	70"	35"	—	—	\$542

Wedge Worksurface For Use w/ MY-HITE Bases



DESCRIPTION

Worksurface top only, for use with height adjustable base within workstation application

NOTES

- Add grommet (add \$75 list)
Specify GL, GC, GR
- Order base separately from MY-HITE pricebook

Note: Top size reduced 1" in depth and 2" in width to fit within system workstation and prevent pinch points. We do not recommend using full size worktop in paneled workstation applications.

SPECIFICATION OPTIONS

product #: see charts below
top, edge finish: worksurface finish:
see page 117

ORDER EXAMPLE

product #: FDWDWS.234029
edge finish: DT Dark Tone, E12
worksurface finish: Espresso, M10
grommet: GC (Rear Center)

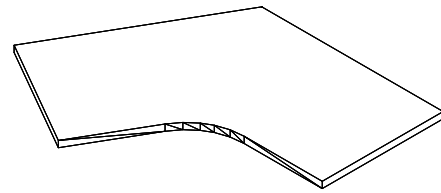
23"D LEFT 29"D RIGHT

PART #	HEIGHT	A	B	C	D	PRICE
FDWDWS.234029	1.25"	23"	40"	29"	—	\$328
FDWDWS.234629	1.25"	23"	46"	29"	—	\$335
FDWDWS.235229	1.25"	23"	52"	29"	—	\$380
FDWDWS.235829	1.25"	23"	58"	29"	—	\$407
FDWDWS.236429	1.25"	23"	64"	29"	—	\$454
FDWDWS.237029	1.25"	23"	70"	29"	—	\$464
FDWDWS.237629	1.25"	23"	76"	29"	—	\$540

29"D LEFT 23"D RIGHT

PART #	HEIGHT	A	B	C	D	PRICE
FDWDWS.294023	1.25"	29"	40"	23"	—	\$328
FDWDWS.294623	1.25"	29"	46"	23"	—	\$335
FDWDWS.295223	1.25"	29"	52"	23"	—	\$380
FDWDWS.295823	1.25"	29"	58"	23"	—	\$407
FDWDWS.296423	1.25"	29"	64"	23"	—	\$454
FDWDWS.297023	1.25"	29"	70"	23"	—	\$464
FDWDWS.297623	1.25"	29"	76"	23"	—	\$540

120° Corner Worksurface | 90° Ends Worksurface For Use w/ MY-HITE Bases



DESCRIPTION

Worksurface top only, for use with height adjustable base within workstation application

NOTES

- Add grommet (add \$75 list)
Specify GL, GC, GR
- Order base separately from MY-HITE pricebook

SPECIFICATION OPTIONS

product #: see charts below
top, edge finish: worksurface finish:
see page 117

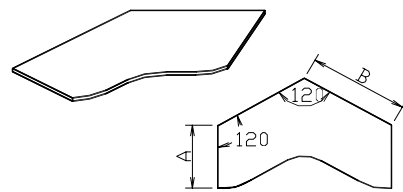
ORDER EXAMPLE

product #: FD120-90WS.2436
edge finish: DT Dark Tone, E12
worksurface finish: Espresso, M10
grommet: GC (Rear Center)

120° CORNER 90° ENDS

PART #	HEIGHT	A	B	C	D	PRICE
FD120-90WS.2436	1.25"	24"	36"	—	—	\$565
FD120-90WS.2442	1.25"	24"	42"	—	—	\$676
FD120-90WS.2448	1.25"	24"	48"	—	—	\$822

120° Corner Worksurface | 120° Ends Worksurface For Use w/ MY-HITE Bases



DESCRIPTION

Worksurface top only, for use with height adjustable base within workstation application

NOTES

- Add grommet (add \$75 list)
Specify GL, GC, GR
- Order base separately from MY-HITE pricebook

SPECIFICATION OPTIONS

product #: see charts below
top, edge finish: worksurface finish:
see page 105

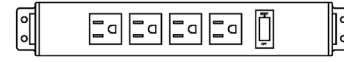
ORDER EXAMPLE

product #: FD120-120WS.2436
edge finish: DT Dark Tone, E12
worksurface finish: Espresso, M10
grommet: GC (Rear Center)

120° CORNER 120° ENDS

PART #	HEIGHT	A	B	C	D	PRICE
FD120-120WS.2436	1.25"	24"	36"	—	—	\$571
FD120-120WS.2442	1.25"	24"	42"	—	—	\$684
FD120-120WS.2448	1.25"	24"	48"	—	—	\$831

Table Power Components



DESCRIPTION

Parts for distributing and managing power for tables.

NOTES

SPECIFICATION OPTIONS

product #: see charts below

ORDER EXAMPLE

product #: FD-SFC-306-4A

TABLE POWER DISTRIBUTION



PART #	HEIGHT	WIDTH	DEPTH	WT. (LBS)	PRICE	NOTES
FD-SFC-306-4A	—	—	—	—	\$68	Use with single circuit infeed (FD-BPI.1CIR) Optional power strip to attach to the underside of tabletops.

SINGLE CIRCUIT INFEED



PART #	HEIGHT	WIDTH	DEPTH	WT. (LBS)	PRICE	NOTES
FD-BPI.1CIR	—	—	—	—	\$78	Plug-in power infeed for use with one (1) circuit power distribution. For use with FD-FM-X4B. First connection must be plugged into the wall. Additional connections can be daisy chained.

DAISY CHAIN POWER CONNECTOR



PART #	HEIGHT	WIDTH	DEPTH	WT. (LBS)	PRICE	NOTES
FD-DCI.1CIR	—	—	—	—	\$78	Distributes power through adjacent credenzas.

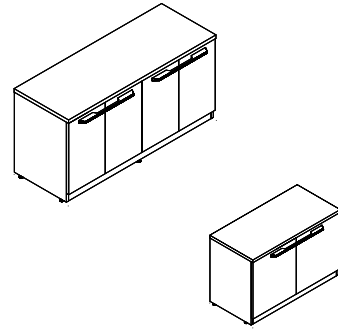
WIRE MANAGER SECTIONS



PART #	HEIGHT	WIDTH	DEPTH	WT. (LBS)	PRICE	NOTES
DA-DT-08	—	—	—	—	\$17	For managing wires up the table legs. Package of 10.

NOTE: For credenza power components, see pages 109-110. For a power distribution guide, please reference page 95.

Non-powered Cabinet and Credenza



DESCRIPTION

Non-powered storage cabinet and credenza with doors.

NOTES

- Power not available.
- Swing doors.
- One adjustable shelf.
- Locking.

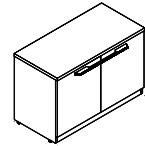
SPECIFICATION OPTIONS

product #: see charts below
casing: M1- M29 (See page 117)
doors: M1- M29 (See page 117)

ORDER EXAMPLE

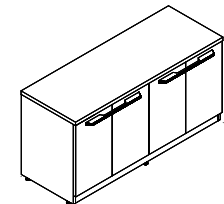
product #: FD-LC-1836
casing: Espresso
doors: Espresso

CABINET 18"D X 36"W



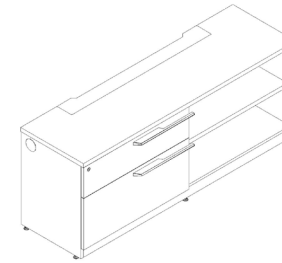
PART #	HEIGHT	WIDTH	DEPTH	WT. (LBS)	PRICE	NOTES
FD-LC-1836	24"	36"	18"	—	\$791	

CREDENZA 18"D X 48"W



PART #	HEIGHT	WIDTH	DEPTH	WT. (LBS)	PRICE	NOTES
FD-LC-1848	24"	48"	18"	—	\$869	

Two Section Credenzas



Shown above is one style option. More styles are available below.

DESCRIPTION

Credenzas with two sections for combinations of drawers, shelves, or doors. Available non-powered, with single-circuit power, or with 4-circuit power.

All credenzas (powered and non-powered) include the flip door.

NOTES

- Swing doors. Locking.
- Styles with doors include one adjustable shelf. All shelves are adjustable.
- Specify L for left or R for right. Depending on the style, L and R may represent the side for doors or for drawers. Please see style specific notes below before ordering.
- Must specify a power option by adding one of the below to the end of the part #:
 - N for non-powered
 - E1 for single circuit power (add \$283 to list)
 - E4 for 4-circuit power (add \$305 to list)
- **Order additional electrical parts for powered credenza separately, page 116-117.**

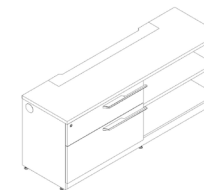
SPECIFICATION OPTIONS

product #: see charts below
casing: M1- M29 (See page 117)
doors/drawers: M1- M29 (See page 117)
left or right: L for left, R for Right
power: -N for non-powered, -E1 for single-circuit power, -E4 for 4-circuit power

ORDER EXAMPLE

product #: FD-LC-1860-1L-N
casing: Licorice
doors/drawers: Licorice
left or right: L for left side drawers
power: -N for non-powered (added to end of product #)

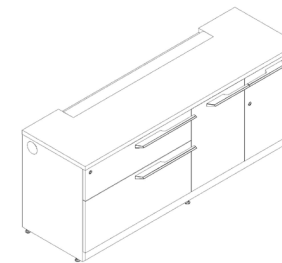
DRAWERS & SHELVES



left drawers shown

PART #	HEIGHT	WIDTH	DEPTH	WT. (LBS)	PRICE	NOTES
FD-LC-1860-1L-*	24"	60"	18"	—	\$1,428	Specify L for left drawers and R for right drawers.
FD-LC-1860-1R-*	24"	60"	18"	—	\$1,428	
FD-LC-1872-1L-*	24"	72"	18"	—	\$1,561	* Specify power option by replacing the asterisk with one of the below: -N for non-powered -E1 for single-circuit power (add \$311 to list price) -E4 for 4-circuit power (add \$336 to list price)
FD-LC-1872-1R-*	24"	72"	18"	—	\$1,561	
FD-LC-2460-1L-*	24"	60"	24"	—	\$1,621	
FD-LC-2460-1R-*	24"	60"	24"	—	\$1,621	
FD-LC-2472-1L-*	24"	72"	24"	—	\$1,778	
FD-LC-2472-1R-*	24"	72"	24"	—	\$1,778	

DRAWERS & DOORS



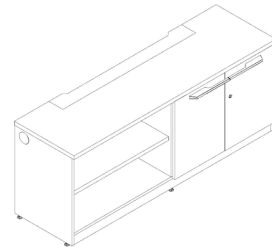
left drawers shown

PART #	HEIGHT	WIDTH	DEPTH	WT. (LBS)	PRICE	NOTES
FD-LC-1860-3L-*	24"	60"	18"	—	\$1,687	Specify L for left drawers and R for right drawers.
FD-LC-1860-3R-*	24"	60"	18"	—	\$1,687	
FD-LC-1872-3L-*	24"	72"	18"	—	\$1,819	One adjustable shelf.
FD-LC-1872-3R-*	24"	72"	18"	—	\$1,819	
FD-LC-2460-3L-*	24"	60"	24"	—	\$1,978	* Specify power option by replacing the asterisk with one of the below: -N for non-powered -E1 for single-circuit power (add \$311 to list price) -E4 for 4-circuit power (add \$336 to list price)
FD-LC-2460-3R-*	24"	60"	24"	—	\$1,978	
FD-LC-2472-3L-*	24"	72"	24"	—	\$2,050	To order Floor Power Access option behind the door, add PR (power right) or PL (power left) to the end of the part #. Power must be on the side with the door.
FD-LC-2472-3R-*	24"	72"	24"	—	\$2,050	

NOTE: Additional electrical parts must be ordered for powered credenzas. For an ordering guide, please reference page 95. See page 109 to order Single Circuit electrical components and page 110 to order 4-Circuit electrical components.

Two Section Credenzas (cont'd)

DOORS & SHELVES



right doors shown

PART #	HEIGHT	WIDTH	DEPTH	WT. (LBS)	PRICE
FD-LC-1860-5L-*	24"	60"	18"	—	\$1,251
FD-LC-1860-5R-*	24"	60"	18"	—	\$1,251
FD-LC-1872-5L-*	24"	72"	18"	—	\$1,392
FD-LC-1872-5R-*	24"	72"	18"	—	\$1,392
FD-LC-2460-5L-*	24"	60"	24"	—	\$1,415
FD-LC-2460-5R-*	24"	60"	24"	—	\$1,415
FD-LC-2472-5L-*	24"	72"	24"	—	\$1,581
FD-LC-2472-5R-*	24"	72"	24"	—	\$1,581

NOTES

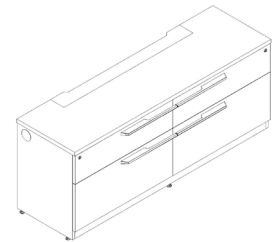
Specify L for left doors and R for right doors.

One adjustable shelf.

* Specify power option by replacing the asterisk with one of the below:
-N for non-powered
-E1 for single-circuit power (add \$311 to list price)
-E4 for 4-circuit power (add \$336 to list price)

To order Floor Power Access option behind door, add PR (power right) or PL (power left) to the end of the part #. Power must be on the side with the door.

DOUBLE DRAWERS

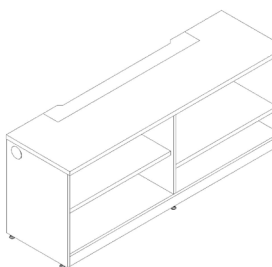


PART #	HEIGHT	WIDTH	DEPTH	WT. (LBS)	PRICE
FD-LC-1860-2-*	24"	60"	18"	—	\$1,865
FD-LC-1872-2-*	24"	72"	18"	—	\$2,001
FD-LC-2460-2-*	24"	60"	24"	—	\$2,088
FD-LC-2472-2-*	24"	72"	24"	—	\$2,248

NOTES

* Specify power option by replacing the asterisk with one of the below:
-N for non-powered
-E1 for single-circuit power (add \$311 to list price)
-E4 for 4-circuit power (add \$336 to list price)

DOUBLE SHELVES



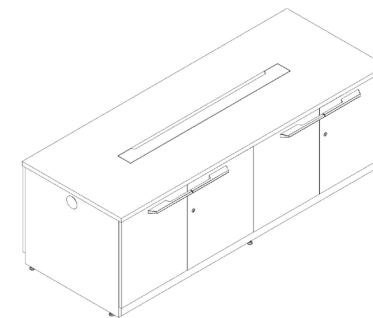
PART #	HEIGHT	WIDTH	DEPTH	WT. (LBS)	PRICE
FD-LC-1860-4-*	24"	60"	18"	—	\$992
FD-LC-1872-4-*	24"	72"	18"	—	\$1,120
FD-LC-2460-4-*	24"	60"	24"	—	\$1,299
FD-LC-2472-4-*	24"	72"	24"	—	\$1,308

NOTES

* Specify power option by replacing the asterisk with one of the below:
-N for non-powered
-E1 for single-circuit power (add \$311 to list price)
-E4 for 4-circuit power (add \$336 to list price)

NOTE: Additional electrical parts must be ordered for powered credenzas. For an ordering guide, please reference page 95. See page 109 to order Single Circuit electrical components and page 110 to order 4-Circuit electrical components.

Shared Credenzas



Shown above is the double doors style.

DESCRIPTION

Shared credenzas with two sections for combinations of drawers, shelves, or doors. Available with two doors per side or one door per side. May be ordered as non-powered, with single-circuit power, or with 4-circuit power.

All shared credenzas (powered and non-powered) include the flip door.

NOTES

- Swing doors. Locking.
- Include one adjustable shelf inside door.
- Part number with -5 indicates one door per side. Other option is two doors per side.
- Must specify a power option by adding one of the below to the end of the part #:
 - N for non-powered
 - E1 for single circuit power (add \$283 to list)
 - E4 for 4-circuit power (add \$305 to list)
- Order additional electrical parts for powered credenza separately, page 116-117.

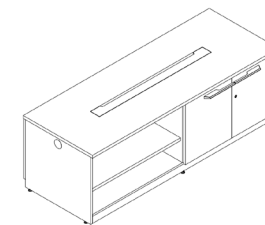
SPECIFICATION OPTIONS

product #: see charts below
casing: M1- M29 (See page 117)
doors/drawers: M1- M29 (See page 117)
power: -N for non-powered, -E1 for single-circuit power, -E4 for 4-circuit power

ORDER EXAMPLE

product #: FD-LC-1860-1L-N
casing: Espresso
doors/drawers: Espresso
power: -N for non-powered (added to end of product #)

SINGLE DOOR



PART #	HEIGHT	WIDTH	DEPTH	WT. (LBS)	PRICE
FD-LC-2760-5-*	24"	60"	27"	—	\$2,287
FD-LC-2772-5-*	24"	72"	27"	—	\$2,505

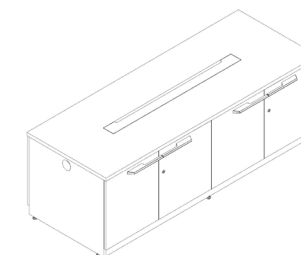
*Specify doors on left or right, (Right Shown)

NOTES

* Specify power option by replacing the asterisk with one of the below:
-N for non-powered
-E1 for single-circuit power (add \$311 to list price)
-E4 for 4-circuit power (add \$336 to list price)

To order Floor Power Access option behind door, add PR (power right) or PL (power left) to the end of the part #.

DOUBLE DOORS



PART #	HEIGHT	WIDTH	DEPTH	WT. (LBS)	PRICE
FD-LC-2760-*	24"	60"	27"	—	\$2,287
FD-LC-2772-*	24"	72"	27"	—	\$2,505

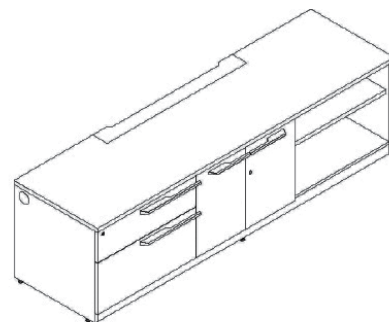
NOTES

* Specify power option by replacing the asterisk with one of the below:
-N for non-powered
-E1 for single-circuit power (add \$311 to list price)
-E4 for 4-circuit power (add \$336 to list price)

To order Floor Power Access option behind door, add PR (power right) or PL (power left) to the end of the part #.

NOTE: Additional electrical parts must be ordered for powered credenzas. For an ordering guide, please reference page 95. See page 109 to order Single Circuit electrical components and page 110 to order 4-Circuit electrical components.

Three Section Credenzas



Shown above is one style option. More styles are available below.

DESCRIPTION

Credenzas with three sections for combinations of drawers, shelves, or doors. Available non-powered, with single-circuit power, or with 4-circuit power.

All credenzas (powered and non-powered) include the flip door.

NOTES

- Swing doors. Locking.
- Styles with doors include one adjustable shelf.
- Shelves are adjustable.
- Specify L for left or R for right. Depending on the style, L and R may represent the side for doors or the side for drawers. Please see style specific notes below before ordering.
- Must specify a power option by adding one of the below to the end of the part #:
 - N for non-powered
 - E1 for single circuit power (add \$283 to list)
 - E4 for 4-circuit power (add \$305 to list)
- **Order additional electrical parts for powered credenza separately, page 116-117.**

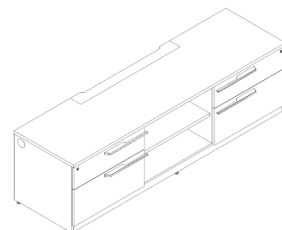
SPECIFICATION OPTIONS

product #: see charts below
casing: M1- M29 (See page 117)
doors/drawers: M1- M29 (See page 117)
left or right: L for left, R for Right
power: -N for non-powered, -E1 for single-circuit power, -E4 for 4-circuit power

ORDER EXAMPLE

product #: FD-LC-2484-2L-E1
casing: Espresso
doors/drawers: Espresso
left or right: L for left side doors
power: -E1 for single circuit power (added to end of product #)

CENTER SHELVES & DRAWERS

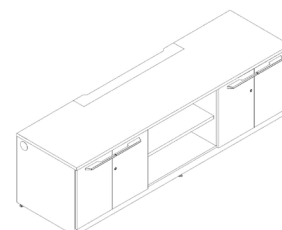


PART #	HEIGHT	WIDTH	DEPTH	WT. (LBS)	PRICE
FD-LC-2484-1*	24"	84"	24"	—	\$2,482

NOTES

* Specify power option by replacing the asterisk with one of the below:
-N for non-powered
-E1 for single-circuit power (add \$311 to list price)
-E4 for 4-circuit power (add \$336 to list price)

CENTER SHELVES & DOORS



PART #	HEIGHT	WIDTH	DEPTH	WT. (LBS)	PRICE
FD-LC-2484-4*	24"	84"	24"	—	\$2,070

NOTES

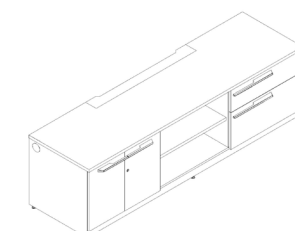
* Specify power option by replacing the asterisk with one of the below:
-N for non-powered
-E1 for single-circuit power (add \$311 to list price)
-E4 for 4-circuit power (add \$336 to list price)

To order Floor Power Access behind door, add PR (power right) or PL (power left) to the end of the part #.

NOTE: Additional electrical parts must be ordered for powered credenzas. For an ordering guide, please reference page 95. See page 109 to order Single Circuit electrical components and page 110 to order 4-Circuit electrical components.

Three Section Credenzas | (cont'd)

CENTER SHELVES, DRAWERS & DOORS



left doors shown

PART #	HEIGHT	WIDTH	DEPTH	WT. (LBS)	PRICE
FD-LC-2484-2L*	24"	84"	24"	—	\$2,276
FD-LC-2484-2R*	24"	84"	24"	—	\$2,276

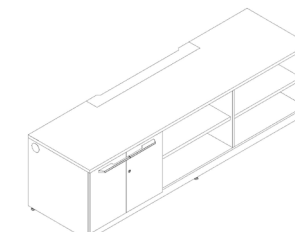
NOTES

Specify L for left drawers and R for right drawers.

* Specify power option by replacing the asterisk with one of the below:
-N for non-powered
-E1 for single-circuit power (add \$311 to list price)
-E4 for 4-circuit power (add \$336 to list price)

To order Floor Power Access behind door, add PR (power right) or PL (power left) to the end of the part #. Power must be on the side with the door.

CENTER SHELVES, DOORS & SHELVES



left doors shown

PART #	HEIGHT	WIDTH	DEPTH	WT. (LBS)	PRICE
FD-LC-2484-5L*	27"	72"	24"	—	\$1,812
FD-LC-2484-5R*	27"	72"	24"	—	\$1,812

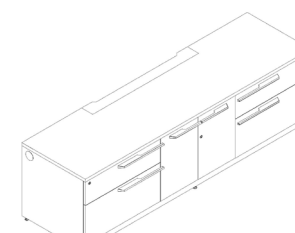
NOTES

Specify L for left doors and R for right doors.

* Specify power option by replacing the asterisk with one of the below:
-N for non-powered
-E1 for single-circuit power (add \$311 to list price)
-E4 for 4-circuit power (add \$336 to list price)

To order Floor Power Access behind door, add PR (power right) or PL (power left) to the end of the part #. Power must be on the side with the door.

CENTER DOORS & DRAWERS



PART #	HEIGHT	WIDTH	DEPTH	WT. (LBS)	PRICE
FD-LC-2484-6*	24"	84"	24"	—	\$2,740

NOTES

* Specify power option by replacing the asterisk with one of the below:

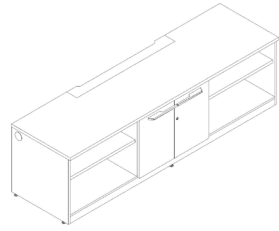
-N for non-powered
-E1 for single-circuit power (add \$311 to list price)
-E4 for 4-circuit power (add \$336 to list price)

To order Floor Power Access behind door, add PM (power middle) to the end of the part #. Power must be where the doors are.

NOTE: Additional electrical parts must be ordered for powered credenzas. For an ordering guide, please reference page 95. See page 109 to order Single Circuit electrical components and page 110 to order 4-Circuit electrical components.

Three Section Credenzas | (cont'd)

CENTER DOORS & SHELVES



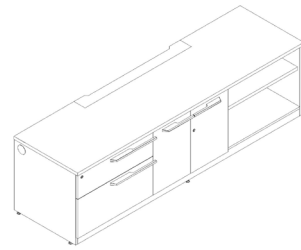
PART #	HEIGHT	WIDTH	DEPTH	WT. (LBS)	PRICE
FD-LC-2484-8-*	24"	84"	24"	—	\$1,812

NOTES

* Specify power option by replacing the asterisk with one of the below:
-N for non-powered
-E1 for single-circuit power (add \$311 to list price)
-E4 for 4-circuit power (add \$336 to list price)

To order Floor Power Access behind door, add PM (power middle) to the end of the part #. Power must be where the doors are.

CENTER DOORS, DRAWERS & SHELVES



left drawers shown

PART #	HEIGHT	WIDTH	DEPTH	WT. (LBS)	PRICE
FD-LC-2484-7L-*	24"	84"	24"	—	\$2,377
FD-LC-2484-7R-*	24"	84"	24"	—	\$2,377

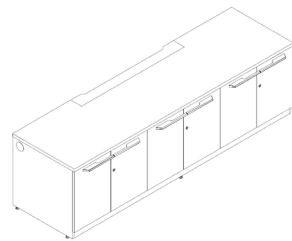
NOTES

Specify L for left drawers and R for right drawers.

* Specify power option by replacing the asterisk with one of the below:
-N for non-powered
-E1 for single-circuit power (add \$311 to list price)
-E4 for 4-circuit power (add \$336 to list price)

To order Floor Power Access behind door, add PM (power middle) to the end of the part #. Power must be where the doors are.

TRIPLE DOORS



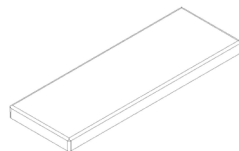
PART #	HEIGHT	WIDTH	DEPTH	WT. (LBS)	PRICE
FD-LC-2484-3-*	24"	84"	24"	—	\$2,330

NOTES

* Specify power option by replacing the asterisk with one of the below:
-N for non-powered
-E1 for single-circuit power (add \$311 to list price)
-E4 for 4-circuit power (add \$336 to list price)

To order Floor Power Access behind door, add PR (power right), PM (power middle), or PL (power left) to the end of the part #.

CREDENZA CUSHION



PART #	HEIGHT	WIDTH	DEPTH	WT. (LBS)	PRICE
FD-FM-X	1-3/4"	35"	12"	—	\$250

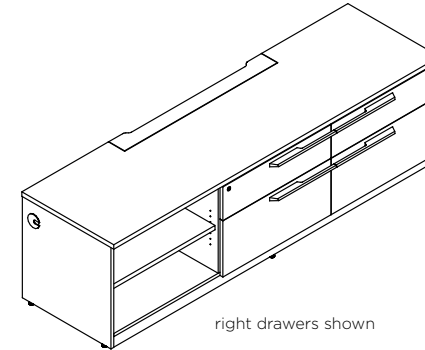
NOTES

Specify upholstery fabric.
 Passage and Terrain fabrics can not be used on mobile cushions. (See page 10)

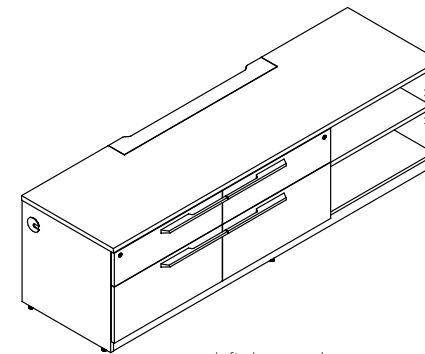
NOTE: Additional electrical parts must be ordered for powered credenzas. For an ordering guide, please reference page 95. See page 109 to order Single Circuit electrical components and page 110 to order 4-Circuit electrical components.

Three Section Credenzas (cont'd)

OPEN SHELVES & DUAL DRAWERS



right drawers shown



left drawers shown

PART #	HEIGHT	WIDTH	DEPTH	WT. (LBS)	PRICE
FD-LC-2484-9-R-*	24"	84"	24"	—	\$2,482
FD-LC-2484-9-L-*	24"	84"	24"	—	\$2,482

NOTES

Specify L for left drawers and R for right drawers.

* Specify power option by replacing the asterisk with one of the below:
-N for non-powered
-E1 for single-circuit power (add \$311 to list price)
-E4 for 4-circuit power (add \$336 to list price)

Credenza Power Components Single Circuit

DESCRIPTION

Power distribution for single circuit powered credenzas, for use when power is required for one unit only. Plugs into electrical outlet.

NOTES

- For use with credenzas specified with -E1 at the end of the part #.

SPECIFICATION OPTIONS

product #: see charts below

ORDER EXAMPLE

product #: FD-BPI.1CIR



SINGLE CIRCUIT INFEED



PART #	HEIGHT	WIDTH	DEPTH	WT. (LBS)	PRICE
FD-BPI.1CIR	—	—	—	—	\$78

NOTES

Plug-in power infeed for use with one (1) circuit power distribution.

For use with FD-FM-X4B.

First connection must be plugged into the wall. Additional connections can be daisy chained.

DAISY CHAIN POWER CONNECTOR



PART #	HEIGHT	WIDTH	DEPTH	WT. (LBS)	PRICE
FD-DCI.1CIR	—	—	—	—	\$78

NOTES

Distributes power through adjacent credenzas.

Credenza Power Components | 4 Circuit

DESCRIPTION

Power distribution for 4-circuit powered credenzas.

NOTES

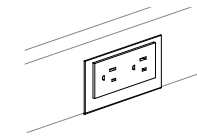
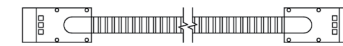
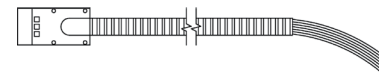
- For use with credenzas specified with -E4 at the end of the part #.

SPECIFICATION OPTIONS

product #: see charts below

ORDER EXAMPLE

product #: FD-BPI.4CIR



4-CIRCUIT INFEED



PART #	HEIGHT	WIDTH	DEPTH	WT. (LBS)	PRICE
FD-BPI.4CIR	—	—	—	—	\$337

NOTES

Hardwire power infeed for use with 4 circuit power distribution.

For use with FD-FM-X4A.

Must be hardwired by an electrician.

DAISY CHAIN POWER CONNECTOR



PART #	HEIGHT	WIDTH	DEPTH	WT. (LBS)	PRICE
FD-CPJ.60	—	—	—	—	\$151
FD-CPJ.72	—	—	—	—	\$151
FD-CPJ.84	—	—	—	—	\$151

NOTES

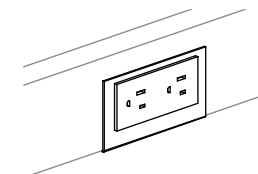
Connects to adjacent credenzas.

Last two digits of the part # represent the width of the credenza it should be used with. (Example: FD-CPJ.60 is for use with 60"W credenzas)

For use with FD-FM-X4A.

4-circuit power distribution.

DUPLEX



PART #	HEIGHT	WIDTH	DEPTH	WT. (LBS)	PRICE
FIRECP4.I	circuit A	—	—	0.25	\$29
FIRECP4.II	circuit B	—	—	0.25	\$29
FIRECP4.III	circuit C	—	—	0.25	\$29
FIRECP4.IIIII	circuit D, dedicated	—	—	0.25	\$29
FIRECP4.II-CONT	Circuit II	—	—	0.25"	\$29
FIRECP4.III-CONT	Circuit III	—	—	0.25"	

NOTES

Used in 4-circuit powered credenza. Order 2 per credenza.

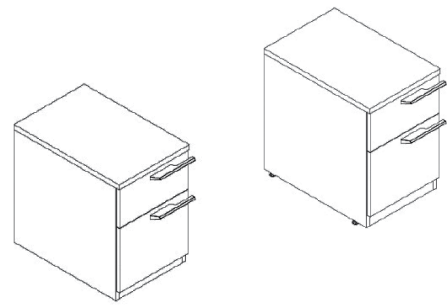
Provides access to I, II, III, IIII circuit.

Provides dedicated circuit with "IIII" receptacle.

DASH / CREDENZAS

DASH / CREDENZAS

Pedestals



DESCRIPTION

NOTES

- Laminate finish.
- Includes lock.

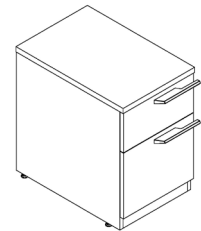
SPECIFICATION OPTIONS

product #: see charts below
casings: M1- M29 (See page 117)

ORDER EXAMPLE

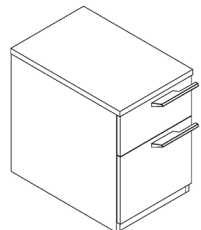
product #: FD-BF-2416
casings: Espresso

BOX / FILE MOBILE PEDESTAL 20" DEPTH



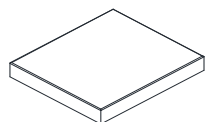
PART #	HEIGHT	WIDTH	DEPTH	WT. (LBS)	PRICE	NOTES
FD-BF-2016	24"	16"	20"	—	\$678	Mobile pedestal Includes lock. Includes casters

BOX / FILE PEDESTAL 24" DEPTH



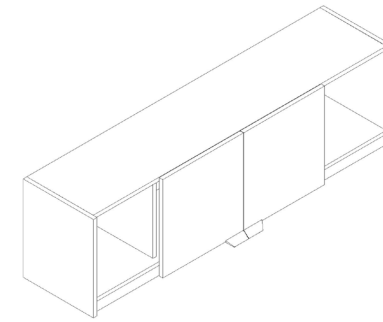
PART #	HEIGHT	WIDTH	DEPTH	WT. (LBS)	PRICE	NOTES
FD-BF-2416	24"	16"	24"	—	\$696	Fixed, on glides Includes lock

PEDESTAL CUSHION



PART #	HEIGHT	WIDTH	DEPTH	WT. (LBS)	PRICE	NOTES
FD-BF-2016.CUSH	1-3/4"	16"	20"	—	\$299	Specify upholstery fabric.
FD-BF-2416.CUSH	1-3/4"	16"	24"	—	\$374	Passage and Terrain fabrics can not be used on mobile cushions. (See page 116)

Overhead Storage



Shown above is one style option. More styles are available.

DESCRIPTION

NOTES

- Wall mounted. Installation on hardwall only.
- Cleats included.
- Door styles include: sliding laminate, hinged laminate and hinged frosted glass (aluminum frame).
- Non-locking.

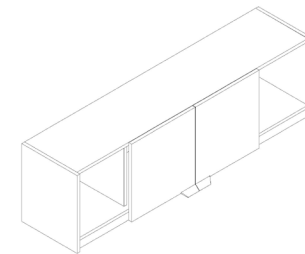
SPECIFICATION OPTIONS

product #: see charts below
casings: M1- M29 (See page 117)
doors (laminate): M1- M29 (See page 117)

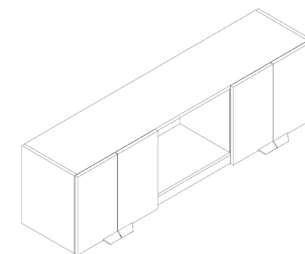
ORDER EXAMPLE

product #: FD-OS-1460-A
casings: Espresso
doors (laminate): Espresso

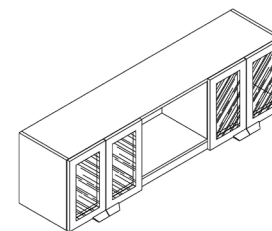
60" WIDTH



PART #	HEIGHT	WIDTH	DEPTH	WT. (LBS)	PRICE	NOTES
FD-OS-1460-A	17"	60"	14"	—	\$1,211	Sliding laminate doors. Non-locking.



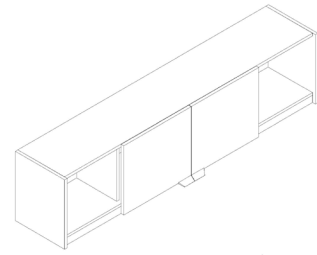
PART #	HEIGHT	WIDTH	DEPTH	WT. (LBS)	PRICE	NOTES
FD-OS-1460-B	17"	60"	14"	—	\$1,141	Hinged laminate doors. Non-locking.



PART #	HEIGHT	WIDTH	DEPTH	WT. (LBS)	PRICE	NOTES
FD-OS-1460-G	17"	60"	14"	—	\$1,652	Aluminum frame, frosted glass, hinged doors. Non-locking.

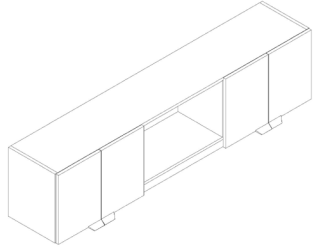
Overhead Storage | (cont'd)

72" WIDTH



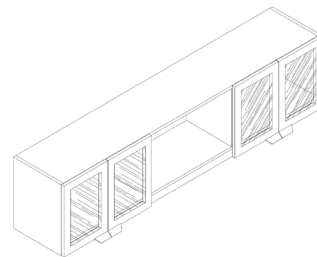
PART #	HEIGHT	WIDTH	DEPTH	WT. (LBS)	PRICE
FD-OS-1472-A	17"	72"	14"	—	\$1,307

NOTES
Sliding laminate doors.
Non-locking.



PART #	HEIGHT	WIDTH	DEPTH	WT. (LBS)	PRICE
FD-OS-1472-B	17"	72"	14"	—	\$1,163

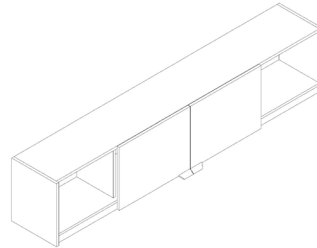
NOTES
Hinged laminate doors.
Non-locking.



PART #	HEIGHT	WIDTH	DEPTH	WT. (LBS)	PRICE
FD-OS-1472-G	17"	72"	14"	—	\$1,870

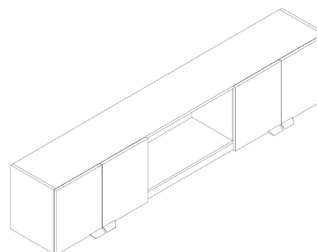
NOTES
Aluminum frame, frosted glass,
hinged doors.
Non-locking.

84" WIDTH



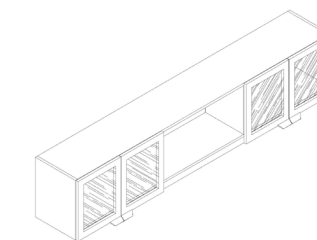
PART #	HEIGHT	WIDTH	DEPTH	WT. (LBS)	PRICE
FD-OS-1484-A	17"	84"	14"	—	\$1,396

NOTES
Sliding laminate doors.
Non-locking.



PART #	HEIGHT	WIDTH	DEPTH	WT. (LBS)	PRICE
FD-OS-1484-B	17"	84"	14"	—	\$1,260

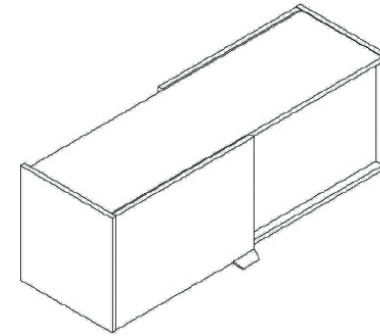
NOTES
Hinged laminate doors.
Non-locking.



PART #	HEIGHT	WIDTH	DEPTH	WT. (LBS)	PRICE
FD-OS-1484-G	17"	84"	14"	—	\$2,088

NOTES
Aluminum frame, frosted glass,
hinged doors.
Non-locking.

Shared Overhead Storage



DESCRIPTION

Shared overhead storage with sliding doors (laminated) and markerboard front.

SPECIFICATION OPTIONS

product #: see charts below
casing: M1- M29 (See page 117)
doors (laminated): M1- M29 (See page 117)
left or right: L for left, R for Right

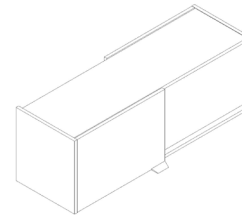
NOTES

- Mounts on top of a shared credenza of Interra panel.
- Specify attachment hardware separately. See page 117 for support column or panel mount kit.
- Sliding doors (laminated) and markerboard front.
- Specify L or R for door side
- Specify door laminate finish.

ORDER EXAMPLE

product #: FD-OS-1648-L
casing: Espresso
doors (laminated): Espresso
left or right: L for left side doors

48" WIDTH

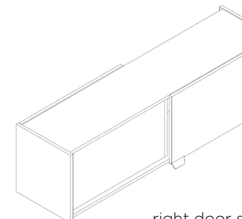


left door shown

PART #	HEIGHT	WIDTH	DEPTH	WT. (LBS)	PRICE
FD-OS-1648-L	17"	48"	16"	—	\$1,430
FD-OS-1648-R	17"	48"	16"	—	\$1,430

NOTES
Sliding laminate doors.
Non-locking.

60" WIDTH

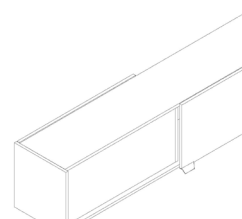


right door shown

PART #	HEIGHT	WIDTH	DEPTH	WT. (LBS)	PRICE
FD-OS-1660-L	17"	60"	16"	—	\$1,580
FD-OS-1660-R	17"	60"	16"	—	\$1,580

NOTES
Sliding laminate doors.
Non-locking.

72" WIDTH



right door shown

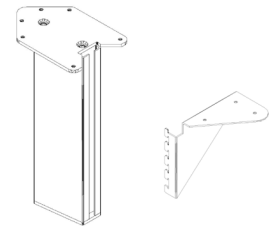
PART #	HEIGHT	WIDTH	DEPTH	WT. (LBS)	PRICE
FD-OS-1672-L	17"	72"	16"	—	\$1,800
FD-OS-1672-R	17"	72"	16"	—	\$1,800

NOTES
Sliding laminate doors.
Non-locking.

DASH / STORAGE

DASH / STORAGE

Shared Overhead Storage | Attachment Hardware



DESCRIPTION
Attachment hardware for Shared Overhead Storage.

NOTES

SPECIFICATION OPTIONS
product #: see charts below
casings: M1- M29 (See page 117)
finish: BU, SV, CW.

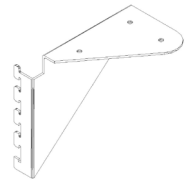
ORDER EXAMPLE
product #: FD-DA-DT300
casings: Espresso
finish: SV

SHARED OVERHEAD SUPPORT COLUMN



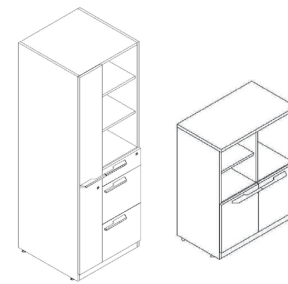
PART #	HEIGHT	WIDTH	DEPTH	WT. (LBS)	PRICE	NOTES
FD-DA-DT300	12"	—	—	—	\$162	Used to mount shared overhead on top of a credenza. Sold in pairs.

PANEL MOUNT KIT



PART #	HEIGHT	WIDTH	DEPTH	WT. (LBS)	PRICE	NOTES
C-FD-FM-X9-BU	—	—	—	—	\$26	Upmount bracket for shared overhead units. For use with Interra frames. Includes 4 brackets, (2) L and (2) R.
C-FD-FM-X9-SV	—	—	—	—	\$26	
C-FD-FM-X9-CW	—	—	—	—	\$26	

Towers



Shown above are two style options. More styles are available below.

DESCRIPTION
Storage with vertical style combinations of drawers, shelves, and doors.

NOTES

- See style specific notes below for specification options.
- Includes lock.

SPECIFICATION OPTIONS
product #: see charts below
casings: M1- M29 (See page 117)
doors/drawers (laminate): M1- M29 (See page 117)
left or right (if applicable): L for left, R for Right

ORDER EXAMPLE
product #: FD-ST-1853-L
casings: Espresso
doors (laminate): Espresso
left or right (if applicable): L for left side

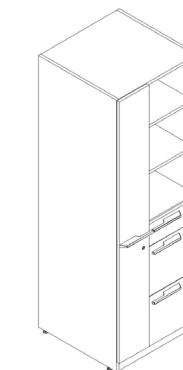
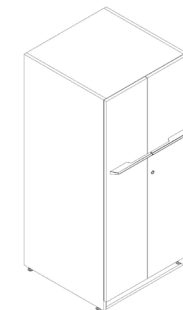
18" WIDTH



left shown

PART #	HEIGHT	WIDTH	DEPTH	WT. (LBS)	PRICE	NOTES
FD-ST-1853-L	53"	18"	24"	—	\$1,173	Specify L or R for side of handle. Includes lock.
FD-ST-1853-R	53"	18"	24"	—	\$1,173	

24" WIDTH



left shown

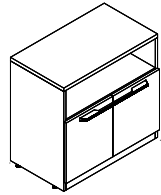
PART #	HEIGHT	WIDTH	DEPTH	WT. (LBS)	PRICE	NOTES
FD-ST-2453	53"	24"	24"	—	\$1,405	Includes lock.

PART #	HEIGHT	WIDTH	DEPTH	WT. (LBS)	PRICE	NOTES
FD-ST-2469-L	69"	24"	24"	—	\$1,840	Specify L or R for side with wardrobe. Includes lock.
FD-ST-2469-R	69"	24"	24"	—	\$1,840	

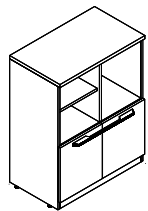
DASH / STORAGE

DASH / STORAGE

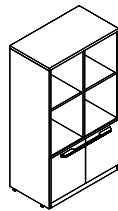
30" WIDTH



PART #	HEIGHT	WIDTH	DEPTH	WT. (LBS)	PRICE	NOTES
FD-ST-3029	29"	30"	18"	—	\$820	Does not provide support for tabletop. Includes lock.

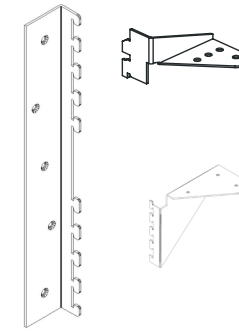


PART #	HEIGHT	WIDTH	DEPTH	WT. (LBS)	PRICE	NOTES
FD-ST-3039	39"	30"	18"	—	\$915	Includes lock.



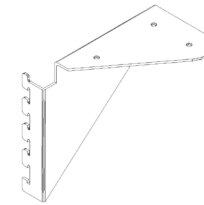
PART #	HEIGHT	WIDTH	DEPTH	WT. (LBS)	PRICE	NOTES
FD-ST-3053	53"	30"	18"	—	\$1,021	Includes lock.

Interra Connectors



DESCRIPTION	SPECIFICATION OPTIONS
Parts for combining Dash and Interra.	product #: see charts below
NOTES	ORDER EXAMPLE
• See individual notes per part below.	product #: FD-FM-X9

PANEL MOUNT KIT



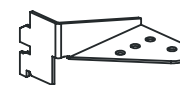
PART #	HEIGHT	WIDTH	DEPTH	WT. (LBS)	PRICE	NOTES
FD-FM-X9	—	—	—	—	\$26	Upmount brackets for shared overhead units. Package of 4, (2) L and (2) R.. For use with Interra frames. Cloud White (CW) only.

CREDENZA BRACKET



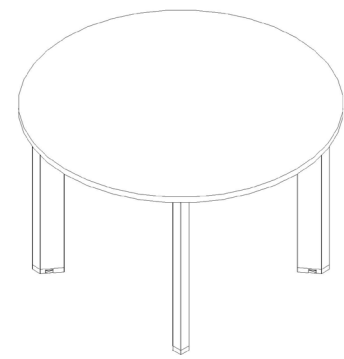
PART #	HEIGHT	WIDTH	DEPTH	WT. (LBS)	PRICE	NOTES
FD-FM-X10	—	11"	1-3/5"	—	\$13	Used to anchor Dash credenza to Interra frames. Sold in pairs. Cloud White (CW) only.

CORNER BRACKET



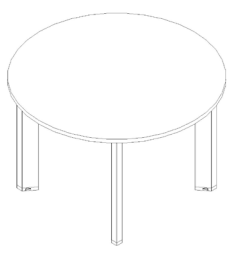
PART #	HEIGHT	WIDTH	DEPTH	WT. (LBS)	PRICE	NOTES
FIWSB.L	—	—	—	1/4	\$6	Attaches to the front of a hanging worksurface to provide additional support, when the return frame matches the depth of the worksurface. Also used as support for the back corner of a corner worksurface. Specify L for left and R for right. Available in Cloud White (CW) and Black.
FIWSB.R	—	—	—	1/4	\$6	

Conference Tables / Round



DESCRIPTION	SPECIFICATION OPTIONS
Tables in round and square styles.	product #: see charts below tabletop finish: See page 117
NOTES	ORDER EXAMPLE
	product #: FD-CT-3029 tabletop finish: Light Maple

POST LEG



PART #	HEIGHT	WIDTH	DEPTH	WT. (LBS)	PRICE	NOTES
FD-CT-3029	29"	30"	30"	—	\$736	
FD-CT-3629	29"	36"	36"	—	\$794	
FD-CT-4729	29"	47"	47"	—	\$919	

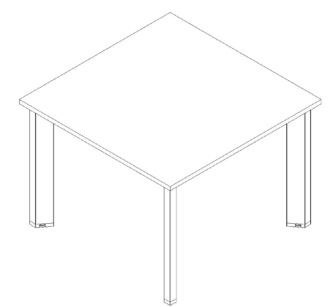
INSET LEG

PART #	HEIGHT	WIDTH	DEPTH	WT. (LBS)	PRICE	NOTES
FTBRDIN.30	29"	30"	30"	—	\$924	
FTBRDIN.36	29"	36"	36"	—	\$1,001	
FTBRDIN.42	29"	42"	42"	—	\$1,056	
FTBRDIN.48	29"	48"	48"	—	\$1,353	
FTBRDIN.60	29"	60"	60"	—	\$1,606	

TAPER LEG

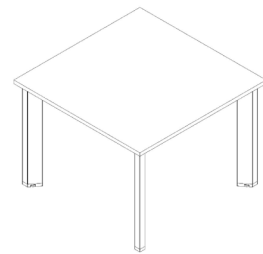
PART #	HEIGHT	WIDTH	DEPTH	WT. (LBS)	PRICE	NOTES
FTBRDTP.30	29"	30"	30"	—	\$1,023	
FTBRDTP.36	29"	36"	36"	—	\$1,100	
FTBRDTP.42	29"	42"	42"	—	\$1,155	
FTBRDTP.48	29"	48"	48"	—	\$1,485	
FTBRDTP.60	29"	60"	60"	—	\$1,738	

Conference Tables / Square



DESCRIPTION	SPECIFICATION OPTIONS
Tables in round and square styles.	product #: see charts below tabletop finish: See page 117
NOTES	ORDER EXAMPLE
	product #: FD-CT-3029 tabletop finish: Light Maple

POST LEG



PART #	HEIGHT	WIDTH	DEPTH	WT. (LBS)	PRICE	NOTES
FD-BT-3029	29"	30"	30"	—	\$736	
FD-BT-3629	29"	36"	36"	—	\$794	
FD-BT-4729	29"	47"	47"	—	\$919	

INSET LEG

PART #	HEIGHT	WIDTH	DEPTH	WT. (LBS)	PRICE	NOTES
FTBSQIN.30	29"	30"	30"	—	\$1,067	
FTBSQIN.36	29"	36"	36"	—	\$1,122	
FTBSQIN.42	29"	42"	42"	—	\$1,188	
FTBSQIN.48	29"	48"	48"	—	\$1,265	
FTBSQIN.60	29"	60"	60"	—	\$1,496	

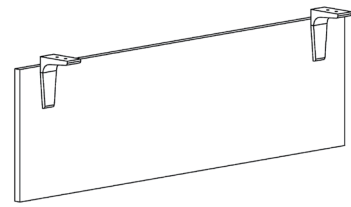
TAPER LEG

PART #	HEIGHT	WIDTH	DEPTH	WT. (LBS)	PRICE	NOTES
FTBSQTP.30	29"	30"	30"	—	\$1,199	
FTBSQTP.36	29"	36"	36"	—	\$1,254	
FTBSQTP.42	29"	42"	42"	—	\$1,320	
FTBSQTP.48	29"	48"	48"	—	\$1,397	
FTBSQTP.60	29"	60"	60"	—	\$1,628	

DASH / TABLES

DASH / TABLES

Modesty Panel



DESCRIPTION

Attaches to the front of a tabletop to provide privacy below the tabletop.

NOTES

- See individual notes below for tabletop compatibility with each size option.
- Specify laminate finish.

SPECIFICATION OPTIONS

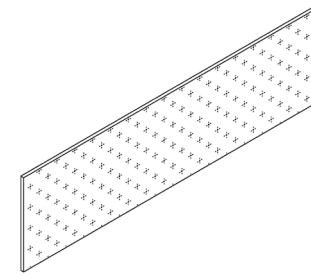
product #: see charts below

ORDER EXAMPLE

product #: FD-FM-T1430

PART #	HEIGHT	WIDTH	DEPTH	WT. (LBS)	PRICE	NOTES
FD-FM-T1430	14"	30"	—	—	\$217	For use with: FD-DA-3054-L/R
FD-FM-T1436	14"	36"	—	—	\$228	For use with: FD-DA-3060-L/R FD-DB-3054-L/R
FD-FM-T1442	14"	42"	—	—	\$240	For use with: FD-DA-3066-L/R FD-DA-3054-B FD-DB-3066-L/R
FD-FM-T1448	14"	48"	—	—	\$251	For use with: FD-DA-3072-L/R FD-DA-3572-L/R FD-DA-4272-L/R FD-DA-3060-B
FD-FM-T1450	14"	50"	—	—	\$255	For use with: FD-DA-3578-L/R FD-DA-4278-L/R FD-DB-3066-L/R
FD-FM-T1454	14"	54"	—	—	\$267	For use with: FD-DA-3066-B
FD-FM-T1460	14"	60"	—	—	\$267	For use with: FD-DA-3072-B FD-DA-3572-B FD-DA-4272-B
FD-FM-T1466	14"	66"	—	—	\$278	For use with: FD-DA-3578-B FD-DA-4278-B

Wall Mounted Tackboard



DESCRIPTION

Fabric covered tackboard that attaches to a wall.

NOTES

- For use with wall mounted overhead or alone.
- May not be used with shared overhead.
- Mounting clips included.
- Specify panel fabric (Note: Passage and Terrain are applied non-directionally)
See page 116.

SPECIFICATION OPTIONS

product #: see charts below
panel fabric: see page 116

ORDER EXAMPLE

product #: FD-FM-X6012
panel fabric: PF101-10 Slide - Crema

12" HEIGHT

PART #	HEIGHT	WIDTH	DEPTH	WT. (LBS)	PRICE
FD-FM-X6012	12"	60"	3/4"	—	\$315
FD-FM-X7212	12"	72"	3/4"	—	\$349
FD-FM-X8412	12"	84"	3/4"	—	\$406

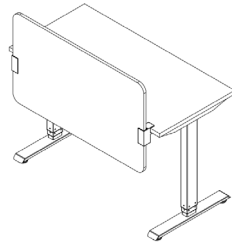
20" HEIGHT

PART #	HEIGHT	WIDTH	DEPTH	WT. (LBS)	PRICE
FD-FM-X6020	20"	60"	3/4"	—	\$390
FD-FM-X7220	20"	72"	3/4"	—	\$442
FD-FM-X8420	20"	84"	3/4"	—	\$514

28" HEIGHT

PART #	HEIGHT	WIDTH	DEPTH	WT. (LBS)	PRICE
FD-FM-X6028	28"	60"	3/4"	—	\$433
FD-FM-X7228	28"	72"	3/4"	—	\$491
FD-FM-X8428	28"	84"	3/4"	—	\$571

Privacy Screen, Fabric



DESCRIPTION

Work Surface mounted fabric covered privacy screen

NOTES

Actual screen is shorter than the worktop.
Example: FPSFLUSH.2448 for use on 46"/48" width table, actual width of screen is 40"

SPECIFICATION OPTIONS

product #: see charts below
Paint (Brackets): CW, BU, SV
fabric: see page 116

ORDER EXAMPLE

product #: FPSFLUSH.2442
brackets: SV, Silver
fabric: PF-701-01, Terrian, Cloud

Fabric Privacy Screen - Flush

PART #	HEIGHT	WIDTH	LIST
FPSFLUSH.2442	24"	34"	\$503
FPSFLUSH.2448	24"	40"	\$545
FPSFLUSH.2454	24"	46"	\$586
FPSFLUSH.2460	24"	52"	\$629
FPSFLUSH.2466	24"	58"	\$672
FPSFLUSH.2472	24"	64"	\$715

NOTES

- Privacy screen sits flush with the back of the worktop.
- Privacy screen is 8" shorter than free standing top width and 6" shorter than a worksurface from a paneled system.

Example:

- FSQAHT-2460 order FPSFLUSH.2460 (actual width 52")
- FIRWS.2370 (Interra pricebook) order FPSFLUSH.2472 (actual width 64")

Fabric Privacy Screen - with Wire Management Gap

PART #	HEIGHT	WIDTH	LIST
FPSGAP.2442	24"	34"	\$503
FPSGAP.2448	24"	40"	\$545
FPSGAP.2454	24"	46"	\$586
FPSGAP.2460	24"	52"	\$629
FPSGAP.2466	24"	58"	\$672
FPSGAP.2472	24"	64"	\$715

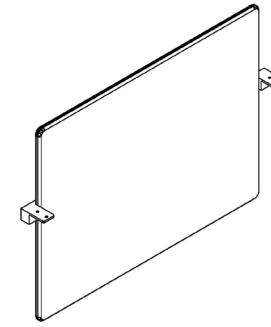
NOTES

- With 1" gap at back of worksurface for cord/wire management.

Example:

- FSQAHT-2460 order FPSGAP.2460 (actual width 52")
- FIRWS.2370 (Interra pricebook) order FPSGAP.2472 (actual width 64")

Privacy Screen



DESCRIPTION

Attaches to the front of a tabletop to provide privacy above and below the tabletop.

NOTES

- See individual notes below for tabletop compatibility with each size option.
- Specify panel fabric.

SPECIFICATION OPTIONS

product #: see charts below
panel fabric: see page 116

ORDER EXAMPLE

product #: FD-FM-P2425
panel fabric: PF101-10 Slide - Crema

PART #	HEIGHT	WIDTH	DEPTH	WT. (LBS)	PRICE	NOTES
FD-FM-P2425	24"	25"	3/4"	—	\$373	For use with: FD-DA-3054-L/R

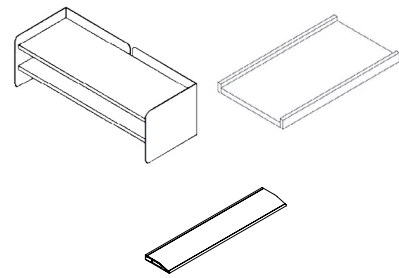
PART #	HEIGHT	WIDTH	DEPTH	WT. (LBS)	PRICE	NOTES
FD-FM-P2431	24"	31"	3/4"	—	\$387	For use with: FD-DA-3060-L/R FD-DB-3054-L/R

PART #	HEIGHT	WIDTH	DEPTH	WT. (LBS)	PRICE	NOTES
FD-FM-P2437	24"	37"	3/4"	—	\$402	For use with: FD-DA-3066-L/R FD-DA-3054-B

PART #	HEIGHT	WIDTH	DEPTH	WT. (LBS)	PRICE	NOTES
FD-FM-P2443	24"	43"	3/4"	—	\$416	For use with: FD-DA-3072-L/R FD-DA-3572-L/R FD-DA-4272-L/R FD-DA-3060-B

PART #	HEIGHT	WIDTH	DEPTH	WT. (LBS)	PRICE	NOTES
FD-FM-P2445	24"	45"	3/4"	—	\$429	For use with: FD-DA-3072-B FD-DA-3578-L/R FD-DA-4278-L/R FD-DB-3066-L/R

Accessories



DESCRIPTION

See below for individual descriptions of items.

NOTES

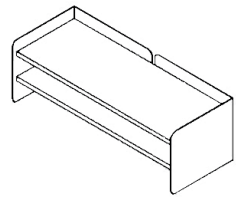
SPECIFICATION OPTIONS

product #: see charts below

ORDER EXAMPLE

product #: FD-FM-X5

TABLETOP SHELF



PART #	HEIGHT	WIDTH	DEPTH	WT. (LBS)	PRICE
FD-FM-X5	10"	30"	12"	—	\$211

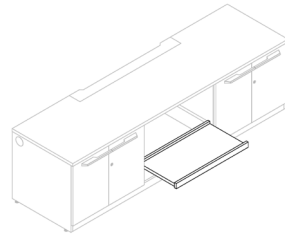
NOTES

Paper organizer that sits on top of tabletop.

Cloud White painted metal outer, and laminate shelves.

Specify shelf finish.

PRINTER SLIDE-OUT SHELF



PART #	HEIGHT	WIDTH	DEPTH	WT. (LBS)	PRICE
FD-FM-X7	1-4/5"	26"	16"	—	\$200

NOTES

For use in place of an adjustable height shelf in an 84" credenza only.

Finish available in Cloud White.

Shelf slides outward.

LED TASKLIGHT



PART #	HEIGHT	WIDTH	DEPTH	WT. (LBS)	PRICE
FLED.20	0.75"	20"	1"	1	\$243
FLED.38	0.75"	38"	1"	2	\$306

NOTES

Attaches beneath a shelf or storage cabinet.

It includes an LED light, power cord, motion sensor, and installation hardware.

For overheads 24" - 36" use FLED.20

For overheads 42" or wider use FLED.38

Finish: Silver

SINGLE MONITOR ARM



PART #	HEIGHT	WIDTH	DEPTH	WT. (LBS)	LIST
FMA-S	—	—	—	—	\$525

NOTES

CW, SV or BU Finish

Includes attachment hardware for clamp, grommet and Verity track mount.

DUAL MONITOR ARM



PART #	HEIGHT	WIDTH	DEPTH	WT. (LBS)	LIST
FMA-D	—	—	—	—	\$750

NOTES

CW, SV or BU Finish

Includes attachment hardware for clamp, grommet and Verity track mount.

Keyed Alike

DESCRIPTION

All Dash pedestals, overheads, credenzas and towers can be keyed alike.

NOTES

SPECIFICATION OPTIONS

product #: see charts below

ORDER EXAMPLE

product #: FD-FM-X5

PART #	DESCRIPTION	PRICE	NOTES
FLCKA-4	Lock Core Keyed-Alike (set of 4)	\$115	All Friant Pedestals, Lateral Files, and Overhead Cabinets can be keyed-alike.
FLCKA-6	Lock Core Keyed-Alike (set of 6)	\$115	
DASH-KEY-CORE	Key Alike Core with Change Key (1 EA)	\$35	Keyed-Alike Lock Cores are sold in sets of 4.
DASH-CK	Change Key	\$18	Each set includes four Lock Cores, each with two keys, all with the same lock number.
DASH-MK	Master Key	\$18	One Lock Core Removal Key is shipped with every order.
			Additional Lock Core Removal Keys and Master Keys are available.

